



EN



75.1



ELECTRONIC DRIVE SYSTEMS

CHERUBINI

Electronic drive systems

PRODUCT BOOK 75.1 



We believe in the power of constant evolution.

We put all our energy into motion, in the pursuit of systems that make life more comfortable and sustainable.

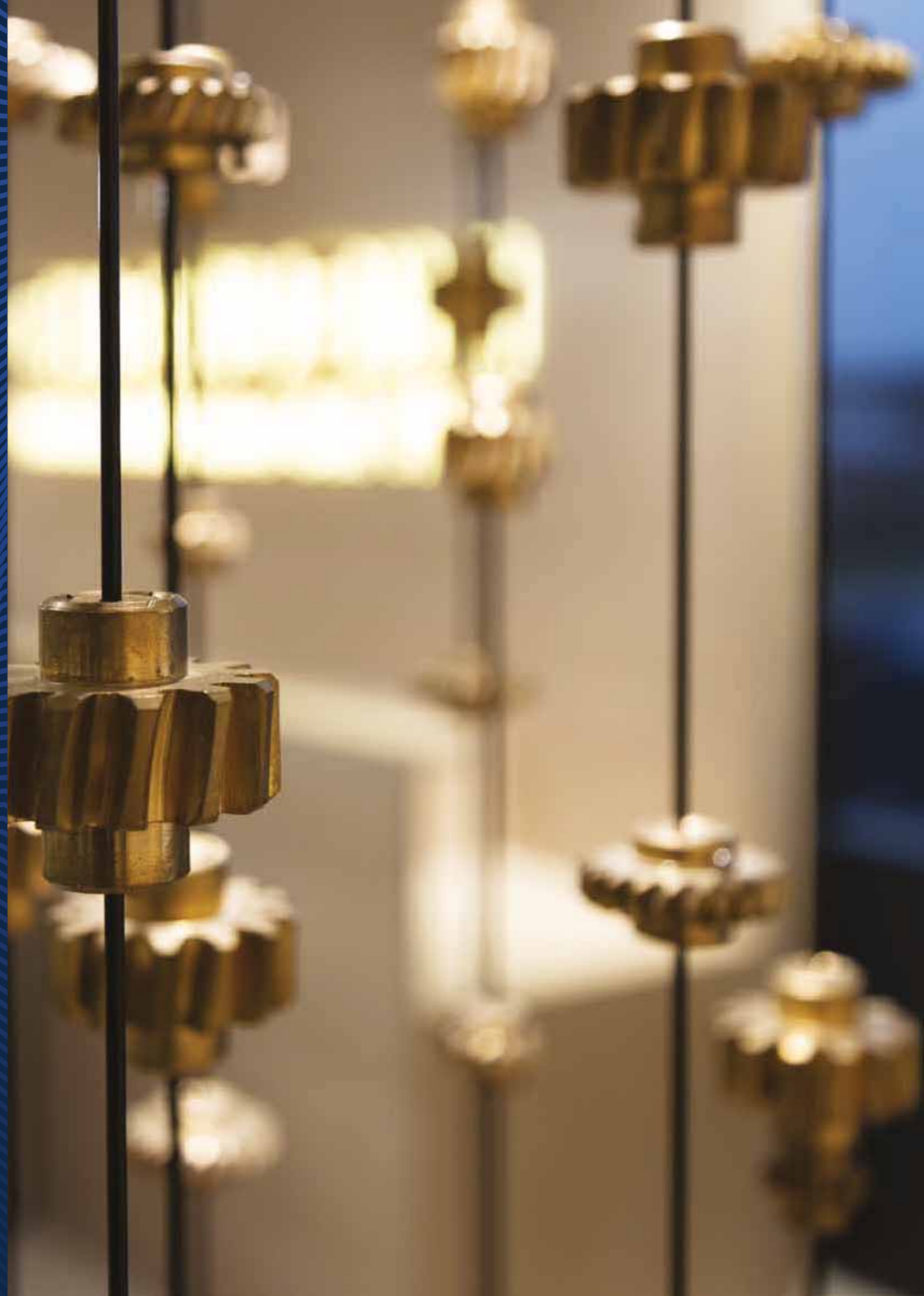
We chose to listen and co-design because we know that the most effective ideas come from working together.

Together with our customers and partners, we contribute to the improvement of living spaces with complete sun protection solutions: efficient, versatile and reliable.

Our Italian roots are an essential part of who we are. We are proud of our history as an industrial family and grateful to the people who make it possible for us to grow as an international group today.

We value this precious heritage of skills and passion in everything we do, constantly pushing us to be better, surpassing ourselves every day. Beyond expectations, beyond results, we always ask for more.

EXPECT MORE



Compatibility has a new standard.

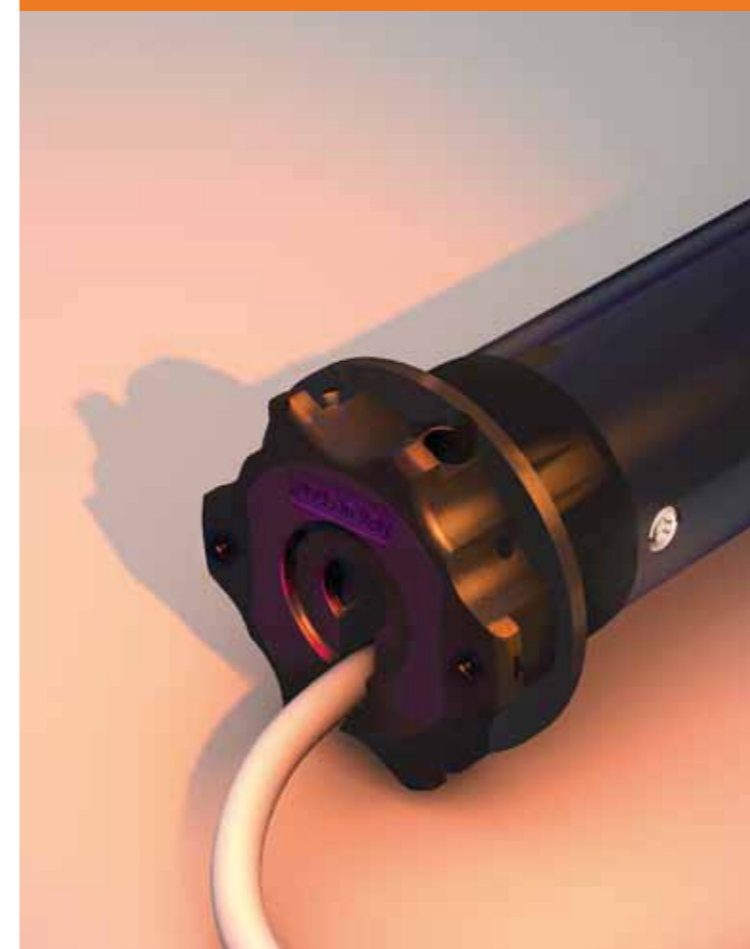


The evolution of the dual integrated radio motor: the two protocols CRC RX and MATTER.

Our new motor series with integrated dual radio extends the operability of Cherubini products to the MATTER systems.

A further evolution of the ZRX series, the CRC RX and Z-Wave dual radio motors, the new MATTER and CRC RX protocol motors mark an even more advanced step towards interoperability, for increasingly integrated ecosystems.

The development of the MATTER-RX dual-radio system* allows a further expansion of the possible



configurations for home automation ecosystems: motors can be controlled directly via the META app without the need for a gateway, via Cherubini CRC RX radio remote controls and, with a simple firmware update, via the existing METAHOME gateway.

* available in 2024.

Smart automation for integrated solar protection systems.



META: open ecosystem and dual radio technology.



Our dual radio technology, CRC RX and Z-Wave, combines the ZRX series motors and the META ecosystem for increasingly integrated movement solutions for solar protection systems in the home automation. Ease of installation, modularity and customisation are the result of a design focused on the user, professional and private.

The META ecosystem, with OPEN ZRX for roller shutters, ORA ZRX for awnings, DIMIO ZRX for roller shutters with adjustable blades and REBIS ZRX for technical blinds and screens, open up our evolution towards an increasingly smart home environment, through easy, intuitive automation at the service of quality of life.

Doge

the new venetian blind system.

Tubular motor and winder system for optimal automation with a single technology.

More speed and power.

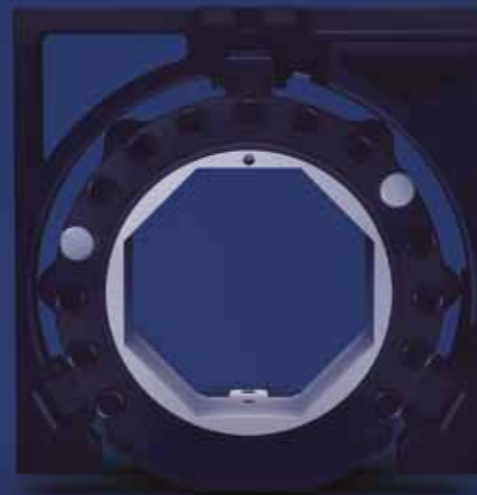
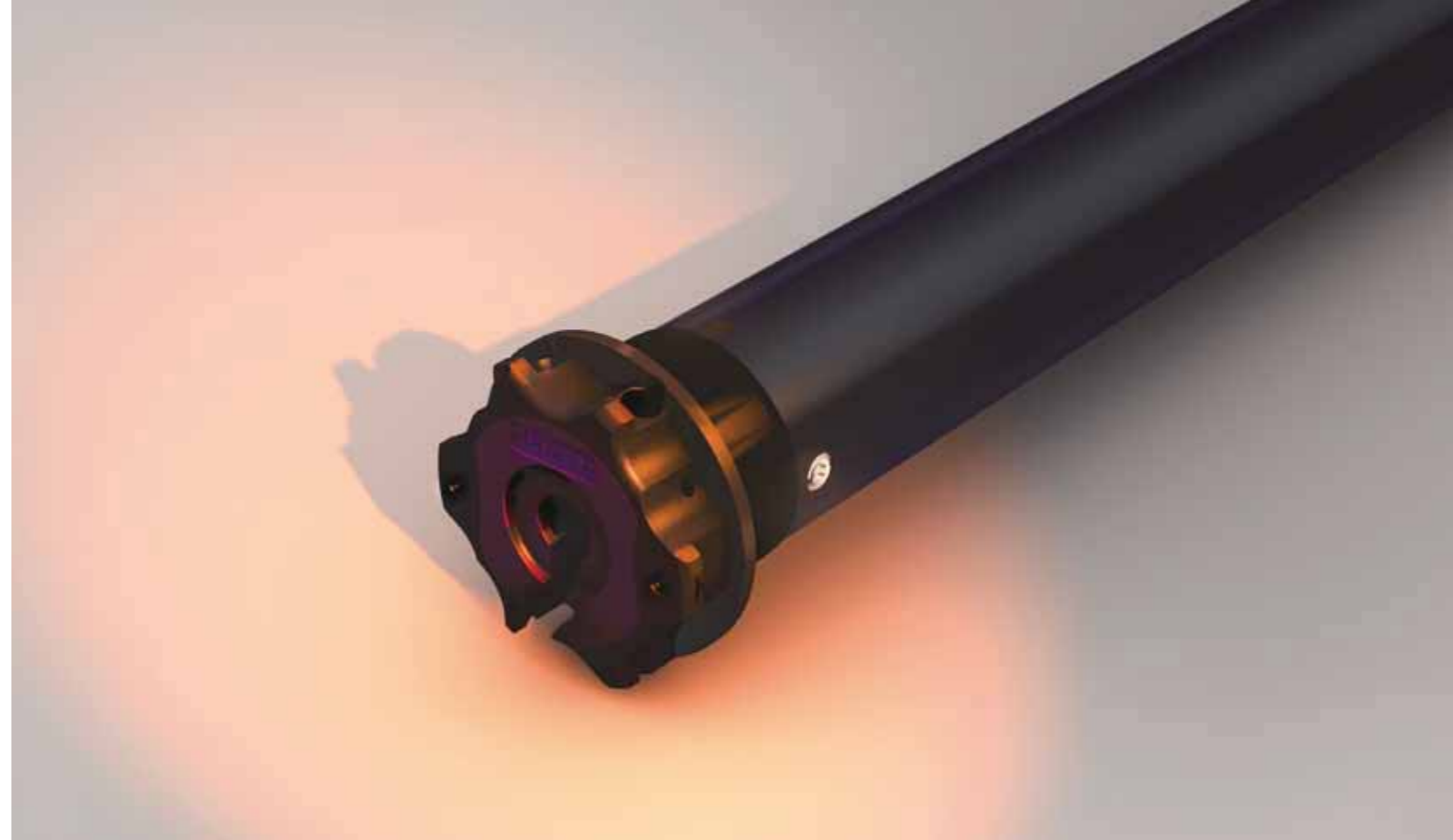
The use of tubular motors allows greater torque availability (6, 15 and 25 Nm), even for large venetian blinds.

More precision.

More linear speed for maximum control of blade inclination, super-sensitivity to protect the texband from damage.

More adjustment possibilities.

The Ø 60 winder is equipped with movable pegs, configurable up to 180° with B 100 blades; specially created software allows precise control of blade inclination during installation and daily use.



More comfort.

The motor's silent gearbox and steel spring brake on the winder make opening, closing and tilting the blades quieter and more comfortable.

More convenience.

Thanks to the same standards and components as the roller shutter systems, it is possible to create a single system for roller shutters and Venetian blinds, with all the advantages in terms of optimisation and device management.

More privacy.

In combination with the WindTec wind sensor, DOGE detects excessive wind and tilts the blades at 45°, preventing damage to the Venetian blinds, without raising them completely.

Plug & Play Exeo Easy

and the range of motors
with manual override.



**More speed,
compactness and power.**

Our series of motors with manual override provides a complete range of solutions, characterised by specific features to meet different installation and functional requirements.

A special ratio.

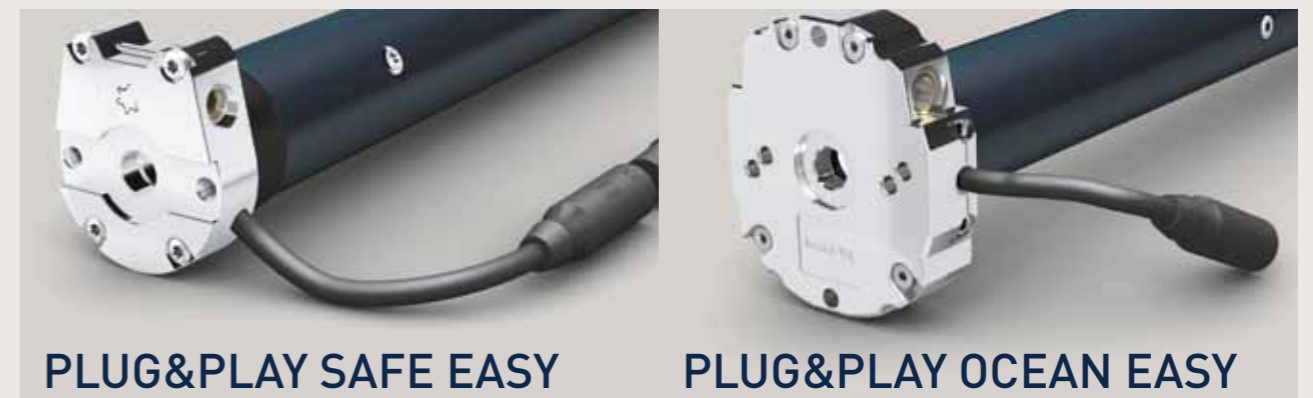
With a reduction ratio of 1:6.7, **PLUG&PLAY EXEO EASY**'s manual override allows extraordinary speed in the event of manual shutter opening.

Compact head.

The motor head with integrated manual override in the **PLUG&PLAY SAFE EASY** series is among the most compact on the market, at only 19 mm thick.

The power of security.

The **OCEAN** series motors are able to provide up to 120 Nm as output torque, offering the opportunity to install a motor with emergency manual override even for awnings or shutters of considerable weight and size.



**PLUG&PLAY
EXEO EASY**

Giro and Pop

The best option is the most stylish one.

Two remote control ranges.



Two complete and functional lines, expressing two distinct personalities.

GIRO, the innovative, elegant and sophisticated remote control. With GIRO, we've changed our approach to remote control design. With a simple thumb movement.

POP, handy and vivacious, is the line of practical and essential remote controls that can be customised in six colours.



POP



GIRO

Easy connector

Fast and easy
installation.

The ideal connection for working
on the construction site.



The Easy Connector makes motor installation quick and easy, facilitating work on site.

Designed for immediate, stable connection.

Compact size connector: only 18 mm in diameter.

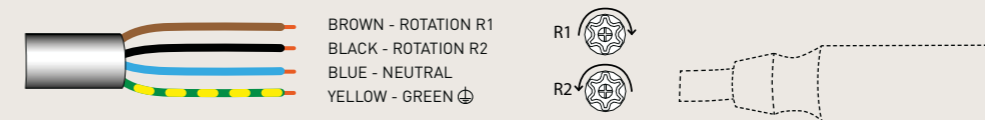
Compatible with the dedicated OPTime Easy radio receiver.

Installed as standard on PLUG&PLAY SAFE EASY, PLUG&PLAY EXEO EASY and PLUG&PLAY OCEAN EASY, the Easy connector is also available on request on other models: find out all the details with your agent.



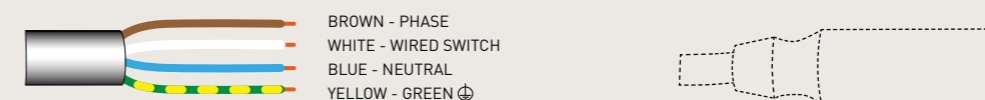
Black connector (standard connection)

Code	A4503_0333	A4503_0311	A4503_0314	A4503_0369
Length	1 m	2 m	4 m	8 m



White connector

Code	A4503_0M69	A4503_0M70	A4503_0M71	A4503_0M72
Length	1 m	2 m	4 m	8 m



Cable must be ordered separately.



Selection tables

page 21

Tubular motors

page 31

Home automation and remote controls

page 121

Accessories

page 153

General sales terms and warranty

page 170 - 171

Technology



Dual-Radio

The dual-radio allows the motor to be programmed and controlled via two different protocols: Cherubini Remote Control RX and Z-Wave. The CRC RX protocol allows the motor to be installed traditionally using Cherubini remote controls by executing specific command sequences. Using the Z-Wave protocol, it is possible to configure the motor through a Z-Wave gateway, integrating it into a home automation network with constant feedback.



Fast motors

High-speed motors. Mainly indicated for very high vertical systems, large horizontal awnings and projection screens.



Cherubini Remote Control (RX Motors)

The radio system built into all RX motors enables encrypted transmission of the command between the motor and the remote control. Easy programming and operation: the motor confirms all the steps by means of small rotations.



Easy connector

Makes motor installation quick and easy.

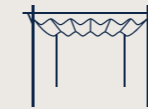
Symbols legend



Awnings



Screens and mosquito nets



Pergola



Adjustable shutters



Rolling shutters



Venetian blinds

Services



Training

We are committed to training as the foundation for proper counselling and installation of our products. The aim of our training courses for professional installers is to prepare our clients and their installers in technical training and sales counselling.



Technical service

Assistance in the installation, dealing by phone with a technician from the Cherubini team, or resolving pre-installation queries.



Technical-sales team

The technical-sales team will assist in identifying your needs so they can offer the most adequate product. Sales and technical counselling and support for projects and estimates. Direct phone contact with the client and the installation for on-site solutions to any incident or query.



Selection tables



TUBULAR MOTORS FOR AWNINGS
page 22



TUBULAR MOTORS FOR
ROLLING SHUTTERS
page 24



TUBULAR MOTORS FOR SCREENS
AND MOSQUITO NETS
page 28

Tubular motors for awnings



Tubular motors for awnings

Which motor meets my requirements?

Cherubini offers you this practical guide in order to help you choose the right model of motor for the installation of your awning. In order to make the right choice, it is necessary to know some characteristics of the awning to be motorized:

- WIND-UP ROLLER DIAMETER

A larger wind-up diameter requires a higher motor torque

- AWNING WIDTH

Wind-up roller length

- NUMBER OF ARMS

The arms create perfect tension on the awning fabric

- AWNING PROJECTION

Lengthening of the awning arms: a larger projection requires a higher motor torque

Having determined the above data, we have to look for the torque of the required motor in the selection tables.

Example:

- Wind-up roller diameter: 70 mm
- Number of arms: 2
- Awning projection: 2 m
- Awning width: 6 m

		NUMBER OF ARMS					
		2	2	2	4	6	
AWNING WIDTH (up to)		3,6 m	4,8 m	6 m	12 m	15 m	
Ø63 Ø70 Ø78	AWNING PROJECTION	1,5 m	25 Nm	25 Nm	32 Nm	40 Nm	85 Nm
		2 m	25 Nm	25 Nm	32 Nm	50 Nm	85 Nm
		2,5 m	32 Nm	32 Nm	40 Nm	65 Nm	85 Nm
		3 m	32 Nm	32 Nm	50 Nm	85 Nm	100 Nm
		3,5 m			65 Nm	85 Nm	120 Nm
		4 m			85 Nm	100 Nm	120 Nm

Tables are purely indicative, as variations can occur according to the installation conditions. Contact our technical service for more detailed information.

SELECTION TABLES

awnings

		NUMBER OF ARMS					
		2	2	2	4	6	
AWNING WIDTH (up to)		3,6 m	4,8 m	6 m	12 m	15 m	
Ø63 Ø70 Ø78	AWNING PROJECTION	1,5 m	25 Nm	25 Nm	32 Nm	40 Nm	85 Nm
		2 m	25 Nm	25 Nm	32 Nm	50 Nm	85 Nm
		2,5 m	32 Nm	32 Nm	40 Nm	65 Nm	85 Nm
		3 m	32 Nm	32 Nm	50 Nm	85 Nm	100 Nm
		3,5 m			65 Nm	85 Nm	120 Nm
		4 m			85 Nm	100 Nm	120 Nm

		NUMBER OF ARMS					
		2	2	2	4	6	
AWNING WIDTH (up to)		3,6 m	4,8 m	6 m	12 m	15 m	
Ø85	AWNING PROJECTION	1,5 m	32 Nm	32 Nm	32 Nm	65 Nm	100 Nm
		2 m	32 Nm	32 Nm	40 Nm	85 Nm	100 Nm
		2,5 m	40 Nm	40 Nm	50 Nm	85 Nm	100 Nm
		3 m	40 Nm	40 Nm	65 Nm	100 Nm	120 Nm
		3,5 m			85 Nm	120 Nm	120 Nm
		4 m			85 Nm	120 Nm	120 Nm

Tables are purely indicative, as variations can occur according to the installation conditions. Contact our technical service for more detailed information.

Tubular motors for rolling shutters



Cherubini offers you this practical guide in order to help you choose the right model of motor for the installation. In order to make the right choice, it is necessary to know some characteristics of the roller shutter to be motorized:

- ROLLING SHUTTER WEIGHT

The total weight of the rolling shutter is calculated after determining its surface and the weight of the material used per square meter.

$$\text{MATERIAL WEIGHT} \times \text{SURFACE} = \text{ROLLING SHUTTER WEIGHT}$$

- WIND-UP ROLLER DIAMETER

A larger wind-up roller diameter requires a higher motor torque

- PROFILE THICKNESS

The profile thickness is of basic importance for the determination of the wind-up diameter generated on the roller. A larger wind-up roller diameter requires a higher motor torque.

Having determined the above data, we have to look for the torque of the required motor in the selection tables.

Example:

- Rolling shutter material: aluminium profile 3 Kg/m²
- Rolling shutter height: 2 m
- Rolling shutter width: 1,5 m
- Wind-up roller: 60 mm

ROLLING SHUTTER SURFACE

$$2 \text{ m} \times 1,5 \text{ m} = 3 \text{ m}^2$$

ROLLING SHUTTER WEIGHT

$$3 \text{ kg/m}^2 \times 3 \text{ m}^2 = 9 \text{ kg}$$

SERIES Ø45

Ø ROLLER		6 Nm	10 Nm	15 Nm	20 Nm	25 Nm	32 Nm*	40 Nm	50 Nm
Ø50/55	Without safety stops	13 kg	21 kg	33 kg	40 kg	46 kg			
	With safety stops	11 kg	18 kg	29 kg	36 kg	41 kg			
Ø60/65	Without safety stops	12 kg	19 kg	28 kg	36 kg	42 kg	54 kg	68 kg	85 kg
	With safety stops	10 kg	15 kg	23 kg	30 kg	36 kg	47 kg	58 kg	73 kg
Ø70/80	Without safety stops	10 kg	15 kg	22 kg	27 kg	36 kg	47 kg	58 kg	73 kg
	With safety stops	7 kg	11 kg	17 kg	21 kg	31 kg	38 kg	48 kg	59 kg

The friction safety coefficient has been taken into consideration in the tables. Tables are purely indicative, as variations can occur according to the installation conditions.

Contact our technical service for more detailed information.

* Movi/Movi RX/Modo RX: 30 Nm

Tubular motors for rolling shutters

Which motor meets my requirements?

SELECTION TABLES

SERIES Ø35

PROFILE THICKNESS up to 10 mm - Without safety stops

ROLLING SHUTTER MAXIMUM HEIGHT 2500 mm				
Ø ROLLER	3 Nm	5 Nm	9 Nm	13 Nm
Ø40	8 kg	13 kg	24 kg	33 kg
Ø45	7 kg	12 kg	21 kg	29 kg
Ø50	6 kg	10 kg	19 kg	25 kg

ROLLING SHUTTER MAXIMUM HEIGHT 3500 mm

Ø ROLLER	3 Nm	5 Nm	9 Nm	13 Nm
Ø40	7 kg	11 kg	20 kg	27 kg
Ø45	6 kg	11 kg	18 kg	25 kg
Ø50	5 kg	9 kg	17 kg	22 kg

SERIES Ø45

PROFILE THICKNESS up to 10 mm

ROLLING SHUTTER MAXIMUM HEIGHT 2500 mm									
Ø ROLLER		6 Nm	10 Nm	15 Nm	20 Nm	25 Nm	32 Nm*	40 Nm	50 Nm
Ø50	Without safety stops	15 kg	25 kg	40 kg	50 kg	55 kg			
	With safety stops	13 kg	21 kg	35 kg	46 kg	49 kg			
Ø60	Without safety stops	14 kg	23 kg	33 kg	44 kg	50 kg	65 kg	81 kg	102 kg
	With safety stops	11 kg	18 kg	27 kg	36 kg	43 kg	56 kg	70 kg	87 kg
Ø70	Without safety stops	11 kg	18 kg	26 kg	33 kg	43 kg	56 kg	70 kg	87 kg
	With safety stops	8 kg	13 kg	20 kg	26 kg	37 kg	46 kg	58 kg	71 kg

ROLLING SHUTTER MAXIMUM HEIGHT 3500 mm

Ø ROLLER		6 Nm	10 Nm	15 Nm	20 Nm	25 Nm	32 Nm*	40 Nm	50 Nm
Ø50	Without safety stops	13 kg	21 kg	33 kg	40 kg	46 kg			
	With safety stops	11 kg	18 kg	29 kg	36 kg	41 kg			
Ø60	Without safety stops	12 kg	19 kg	28 kg	36 kg	42 kg	54 kg	68 kg	85 kg
	With safety stops	10 kg	15 kg	23 kg	30 kg	36 kg	47 kg	58 kg	73 kg
Ø70/80	Without safety stops	10 kg	15 kg	22 kg	27 kg	36 kg	47 kg	58 kg	73 kg
	With safety stops	7 kg	11 kg	17 kg	21 kg	31 kg	38 kg	48 kg	59 kg

* Movi/Movi RX/Modo RX: 30 Nm

Tubular motors for rolling shutters



Tubular motors for rolling shutters

Which motor meets my requirements?

SELECTION TABLES

SERIES Ø45

PROFILE THICKNESS from 11 to 15 mm

ROLLING SHUTTER MAXIMUM HEIGHT 2500 mm

Ø ROLLER		6 Nm	10 Nm	15 Nm	20 Nm	25 Nm	32 Nm*	40 Nm	50 Nm
Ø50	Without safety stops	13 kg	21 kg	32 kg	42 kg	48 kg			
	With safety stops	10 kg	17 kg	27 kg	35 kg	42 kg			
Ø60	Without safety stops	11 kg	18 kg	27 kg	35 kg	44 kg	57 kg	71 kg	88 kg
	With safety stops	8 kg	14 kg	23 kg	30 kg	38 kg	47 kg	61 kg	75 kg
Ø70/80	Without safety stops	10 kg	15 kg	23 kg	30 kg	38 kg	48 kg	61 kg	75 kg
	With safety stops	7 kg	11 kg	18 kg	24 kg	31 kg	38 kg	51 kg	60 kg

ROLLING SHUTTER MAXIMUM HEIGHT 3500 mm

Ø ROLLER		6 Nm	10 Nm	15 Nm	20 Nm	25 Nm	32 Nm*	40 Nm	50 Nm
Ø50	Without safety stops	11 kg	18 kg	27 kg	35 kg	40 kg			
	With safety stops	8 kg	14 kg	23 kg	30 kg	35 kg			
Ø60	Without safety stops	10 kg	15 kg	23 kg	30 kg	37 kg	48 kg	59 kg	73 kg
	With safety stops	7 kg	12 kg	19 kg	25 kg	32 kg	39 kg	51 kg	63 kg
Ø70/80	Without safety stops	8 kg	13 kg	19 kg	25 kg	32 kg	40 kg	50 kg	63 kg
	With safety stops	6 kg	9 kg	15 kg	20 kg	26 kg	32 kg	43 kg	50 kg

* Movi/Movi RX/Modo RX: 30 Nm

The friction safety coefficient has been taken into consideration in the tables. Tables are purely indicative, as variations can occur according to the installation conditions. Contact our technical service for more detailed information.

SERIES Ø58

ROLLING SHUTTER MAXIMUM HEIGHT 2500 mm

Ø ROLLER	65 Nm	85 Nm	100 Nm	120 Nm
Ø70	100 kg	125 kg	145 kg	170 kg
Ø90	85 kg	105 kg	125 kg	155 kg
Ø102	75 kg	95 kg	115 kg	130 kg
Ø133	50 kg	70 kg	80 kg	100 kg

ROLLING SHUTTER MAXIMUM HEIGHT 3500 mm

Ø ROLLER	65 Nm	85 Nm	100 Nm	120 Nm
Ø70	85 kg	104 kg	121 kg	142 kg
Ø90	70 kg	88 kg	104 kg	129 kg
Ø102	65 kg	79 kg	96 kg	108 kg
Ø133	45 kg	58 kg	67 kg	83 kg

SELECTION TABLES FOR MOTOR

PLUG&PLAY OCEAN EASY - PLUG&PLAY SAFE EASY AND PLUG&PLAY EXEO EASY

SERIES Ø45

PROFILE THICKNESS up to 10 mm - With safety stops

ROLLING SHUTTER MAXIMUM HEIGHT 1500 mm

Ø ROLLER	6 Nm	10 Nm	15 Nm	20 Nm
Ø50	14 kg	24 kg	33 kg	45 kg
Ø60	12 kg	20 kg	30 kg	40 kg
Ø70	9 kg	15 kg	23 kg	31 kg

ROLLING SHUTTER MAXIMUM HEIGHT 2500 mm

Ø ROLLER	6 Nm	10 Nm	15 Nm	20 Nm
Ø50	13 kg	21 kg	30 kg	40 kg
Ø60	11 kg	18 kg	26 kg	35 kg
Ø70	8 kg	13 kg	20 kg	27 kg

SERIES Ø45

PROFILE THICKNESS from 11 to 15 mm - With safety stops

ROLLING SHUTTER MAXIMUM HEIGHT 1500 mm

Ø ROLLER	6 Nm	10 Nm	15 Nm	20 Nm
Ø50	11 kg	19 kg	29 kg	39 kg
Ø60	9 kg	16 kg	24 kg	33 kg
Ø70	8 kg	13 kg	19 kg	26 kg

ROLLING SHUTTER MAXIMUM HEIGHT 2500 mm

Ø ROLLER	6 Nm	10 Nm	15 Nm	20 Nm
Ø50	10 kg	17 kg	25 kg	34 kg
Ø60	8 kg	14 kg	21 kg	29 kg
Ø70	7 kg	11 kg	17 kg	23 kg

Tubular motors for screens and mosquito nets



Tubular motors for screens and mosquito nets

Which motor meets my requirements?

Cherubini offers you this practical guide in order to help you choose the right model of motor for the installation. In order to make the right choice, it is necessary to know some characteristics of the system to be motorized:

- WIND-UP ROLLER DIAMETER
A larger wind-up diameter requires a higher motor torque
- FABRIC WEIGHT PER SQUARE METER
- SURFACE
(width and height)
- BOTTOM RAIL WEIGHT

Having determined the above data, we have to look for the torque of the required motor in the selection tables.

Example:

- Fabric = 0,5 kg/m²
- Height = 5 m
- Width = 4 m
- Bottom rail weight = 4 kg
- Wind-up roller diameter = 78 mm

SURFACE = WIDTH x HEIGHT = 4x5 = 20 m²

SYSTEM WEIGHT = SURFACE x FABRIC WEIGHT = 20 m² x 0,5 kg/m² = 10 kg

TOTAL WEIGHT = SYSTEM WEIGHT + BOTTOM RAIL WEIGHT = 10 + 4 kg = 14 kg

SERIES Ø45

	6 Nm	7 Nm	10 Nm	15 Nm	20 Nm	25 Nm
Ø ROLLER	17 turns	30 turns	17 turns	17/30 turns	17 turns	17 turns
Ø50	18 kg	18 kg	30 kg	45 kg	57 kg	65 kg
Ø60	15 kg	15 kg	24 kg	40 kg	50 kg	57 kg
Ø70	-	-	21 kg	33 kg	42 kg	51 kg
Ø78	-	-	17 kg	27 kg	34 kg	45 kg

Tables are purely indicative, as variations can occur according to the installation conditions. Contact our technical service for more detailed information.

SELECTION TABLES

SERIES Ø35

	3 Nm	5 Nm	9 Nm
Ø ROLLER	30 turns	30/21 turns	16 turns
Ø40	11 kg	15 kg	28 kg
Ø50	7 kg	12 kg	23 kg
Ø60	-	9 kg	18 kg

SERIES Ø45

	6 Nm	7 Nm	10 Nm	15 Nm	20 Nm	25 Nm
Ø ROLLER	17 turns	30 turns	17 turns	17/30 turns	17 turns	17 turns
Ø50	18 kg	18 kg	30 kg	45 kg	57 kg	65 kg
Ø60	15 kg	15 kg	24 kg	40 kg	50 kg	57 kg
Ø70	-	-	21 kg	33 kg	42 kg	51 kg
Ø78	-	-	17 kg	27 kg	34 kg	45 kg

The friction safety coefficient has been taken into consideration in the tables. Tables are purely indicative, as variations can occur according to the installation conditions. Contact our technical service for more detailed information.



Tubular motors

tubular motor selection guide

p. 32

motors Ø 35

- Wired - mechanical LS
- Wired - electronic LS
- Wired - electronic LS
- With integrated radio - electronic LS
- With integrated radio - electronic LS

- ROLL p. 34
- PLUG&PLAY PLUS p. 36
- SENSO WIRE p. 38
- TRONIC RX p. 40
- SENSO RX p. 42

motors Ø 45

- Wired - mechanical LS
- With integrated radio - mechanical LS
- Wired - mechanical LS
- Wired - mechanical LS
- With integrated radio - mechanical LS
- Wired, with manual override - mechanical LS
- With integrated radio - override device - mechanical LS
- Wired - electronic LS
- Wired - electronic LS
- Wired, with manual override - electronic LS
- Wired, with manual override - electronic LS
- Wired, with manual override - electronic LS
- Wired - electronic LS
- With radio - electronic LS
- With Z-Wave and CRC RX radio - electronic LS
- Wired - electronic LS
- Wired - electronic LS
- With integrated radio - electronic LS
- With integrated radio - electronic LS
- With Z-Wave and CRC RX integrated radio - electronic LS
- With integrated radio - electronic LS
- With Z-Wave and CRC RX integrated radio - electronic LS
- With integrated radio - electronic LS
- With Z-Wave and CRC RX integrated radio - electronic LS
- With integrated radio - electronic LS
- With integrated radio - electronic LS
- With Z-Wave and CRC RX integrated radio - electronic LS
- With integrated radio - electronic LS

- MOVI p. 44
- MOVI RX p. 46
- MICRO p. 48
- GARDA p. 50
- GARDA RX p. 52
- OCEAN p. 54
- OCEAN RX p. 56
- PLUG&PLAY PLUS p. 58
- PLUG&PLAY p. 60
- PLUG&PLAY OCEAN EASY p. 62
- PLUG&PLAY EXEO EASY p. 64
- PLUG&PLAY SAFE EASY p. 66
- PLUG&PLAY SHORT p. 68
- PLUG&PLAY SHORT RX p. 70
- INSTA SHORT ZRX p. 72
- WAVE WIRE p. 74
- SENSO WIRE p. 76
- MODO RX p. 78
- TRONIC RX p. 80
- OPEN ZRX p. 82
- CLIMA PLUS RX p. 84
- DIMIO ZRX p. 86
- WAVE RX p. 88
- ORA ZRX p. 90
- WAVE LOCK RX p. 92
- SENSO RX p. 94
- REBIS ZRX p. 96
- DOGE RX p. 98

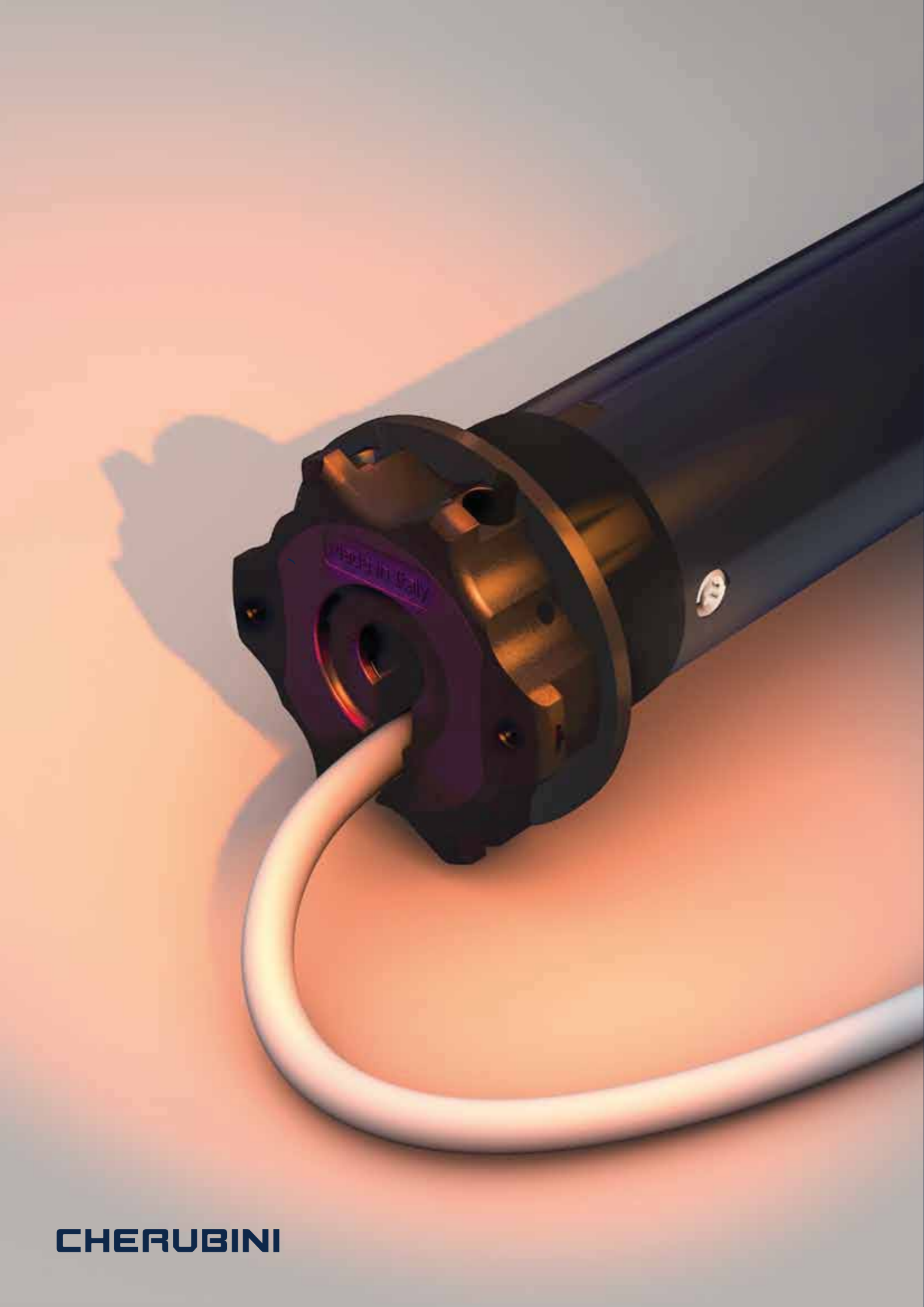
motors Ø 58

- Wired - mechanical LS
- Wired, with manual override - mechanical LS
- Wired - electronic LS
- With integrated radio - electronic LS
- With integrated radio - electronic LS
- With Z-Wave and CRC RX integrated radio - electronic LS
- With integrated radio - electronic LS
- With Z-Wave and CRC RX integrated radio - electronic LS
- With integrated radio - electronic LS
- With Z-Wave and CRC RX integrated radio - electronic LS
- With integrated radio - electronic LS

- GARDA p.100
- OCEAN p.102
- WAVE WIRE p.104
- TRONIC RX p.106
- CLIMA PLUS RX p.108
- DIMIO ZRX p.110
- WAVE RX p.112
- ORA ZRX p.114
- WAVE LOCK RX p.116

fast motors

p.118



Tubular motor selection guide



		ELECTRONIC MOTOR WITH INTEGRATED RADIO CONTROLS											ELECTRONIC MOTOR WITH WIRED CONTROLS					SHORT ELECTRONIC MOTOR			CONTROL UNITS*					MOTOR WITH MECHANICAL LIMIT SWITCH AND BUILT-IN RADIO			STANDARD MOTOR WITH MECHANICAL LIMIT SWITCH*												
		SENSO RX 35/45 mm	REBIS ZRX 45 mm	MODO RX 45 mm	TRONIC RX 35 mm	TRONIC RX 45/58 mm	OPEN ZRX 45 mm	CLIMA PLUS RX 45/58 mm	WAVE RX 45/58 mm	ORA ZRX 45/58 mm	WAVE LOCK RX 45/58 mm	DOGE RX 45 mm	DIMIO ZRX 45/58 mm	PLUG&PLAY PLUS 35/45 mm	PLUG&PLAY 45 mm	WAVE WIRE 45/58 mm	SENSO WIRE 35/45 mm	PLUG&PLAY OCEAN EASY 45 mm	PLUG&PLAY SAFE EASY 45 mm	PLUG&PLAY EXEO EASY 45 mm	PLUG&PLAY SHORT 45 mm	PLUG&PLAY SHORT RX 45 mm	INSTA SHORT ZRX 45 mm	TDS COMPACT	TDS GOLD	TDS SILVER	OPTIME / COMPACT ROLL	MYROLL	MINI	GARDA RX 45 mm	OCEAN RX 45 mm	MOVI RX 45 mm	GARDA 45/58 mm	ROLL 35 mm	MICRO 45 mm	OCEAN 45/58 mm	MOVI 45 mm				
APPLICATION	Roller screen	•	•					•	•	•			•		•	•								•	•	•	•		•										•		
	Awnings							•	•	•					•	•								•	•	•	•		•										•		
	Pergola							•	•	•					•	•								•	•	•	•		•										•		
	Rolling shutters			•	•	•	•							•	•			•	•	•	•	•	•						•	•	•	•	•	•	•	•	•	•	•		
	Adjustable shutters							•					•																												
	Venetian blind with adjustable slats											•																													
REMOTE CONTROL		•	•	•	•	•	•	•	•	•	•	•										•	•	•	•	•	•	•	•	•	•	•	•	•	•	•	•	•	•		
Z-WAVE			•				•		•			•											•																		
WIRED SWITCH		•	•	•	•	•	•	•	•	•	•	•	•	•	•	•	•	•	•	•	•	•	•	•	•	•	•	•	•	•	•	•	•	•	•	•	•	•	•	•	
BUTTON PROGRAMMING		•	•		•	•	•	•	•	•	•	•	•	•	•	•	•	•	•	•	•	•	•																		
OBSTACLE DETECTION WHEN ASCENDING		•	•	•	•	•	•	•	•	•	•	•	•	•	•	•	•	•	•	•	•	•	•	•	•	•	•	•	•	•	•	•	•	•	•	•	•	•	•	•	
OBSTACLE DETECTION WHEN DESCENDING	soft hangers																																								
	hard hangers			•	•	•	•	•				•	•	•				•	•	•	•	•	•																		
RETURN / RELEASE ON OBSTACLE				•	•	•	•	•				•	•									•	•	•																	
RELEASE ON UPPER END STOP				•	•	•	•	•			•	•						•	•	•	•	•	•																		
SUPER-SENSITIVITY		•	•		•			○	○	○						○	•					•		•																	
OPTIMIZED FABRIC TENSIONER		•	•					•	•	•																															
CLOSING FORCE ADJUSTMENT		•	•	•	•	•	•	•	•	•	•	•				•																									
INTERMEDIATE POSITION		•	•	•	•	•	•	•	•	•	•	•										•	•																		
AUTOMATIC COUPLING AND UNCOUPLING																																									
BLIND ADJUSTMENT MANAGEMENT							•				•	•																													
CLIMATIC CONTROLS		•	•					•	•	•	•													•	•	•			•												
MANUAL OVERRIDE																		•	•	•																				•	
REDUCED LENGTH																					•	•	•															•			
QUICK CONNECTION																		•	•	•																					

see the "automation system compatibility table" (page 122) for the mechanical limit switch motor + control unit combinations

* See the "automation system compatibility table" (page 122) for the mechanical limit switch motor + control unit combinations
○ Up to 25 Nm

Roll Ø35

the motor ideal for screen and rolling shutters



Mechanical limit switch

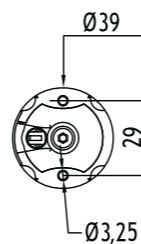
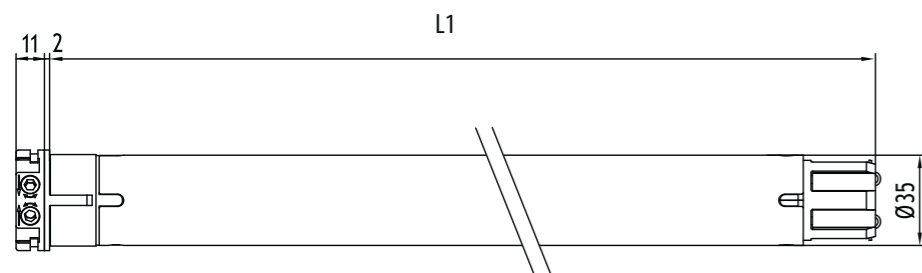
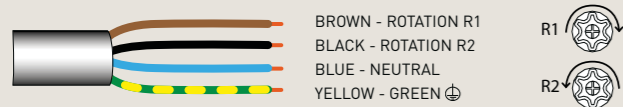
Reliable and easy adjustment of the limit switches.
Fixed limit switch position.

Strength and safety

The star-shaped metallic reducer pin makes the motor highly reliable.



MOTOR WITH WIRE CONTROL



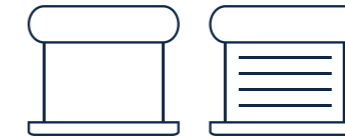
Roll Ø35

MAIN CHARACTERISTICS

TECHNICAL FEATURES

Motor torque (Nm)	
Speed (rpm)	
Mechanical limit switch	
Power (W)	
Power supply (V/Hz)	
Consumption (A)	
Cable 4 x 0,75 (m)	
Operating time (min)	
Protection degree	
Weight (kg)	
L1 (mm)	

APPLICATION



TECHNOLOGY



Code	Head	Torque	Speed
CMP35033000	Plastic material	3 Nm	30 rpm
CMP35053000	Plastic material	5 Nm	30 rpm
CMP35052100	Plastic material	5 Nm	21 rpm
CMP35091600	Plastic material	9 Nm	16 rpm
CMP35131000	Plastic material	13 Nm	10 rpm

Certifications are available on the cherubini-group.com website

3/30	5/30	5/21	9/16	13/10
3	5	5	9	13
30	30	21	16	10
32	32	32	32	32
105	130	105	120	120
230/50	230/50	230/50	230/50	230/50
0,40	0,60	0,40	0,60	0,60
lg. 2,5	lg. 2,5	lg. 2,5	lg. 2,5	lg. 2,5
4	4	4	4	4
IP44	IP44	IP44	IP44	IP44
1,6	1,6	1,6	1,6	1,6
477	477	477	477	477

COMPATIBLE SYSTEMS

For the complete range of compatible systems see "Compatibility Table" on page 122

Skipper Senso

One-channel remote control with integrated light and temperature sensors. It enables the desired light and temperature levels to be maintained, in summer and winter.

Cherubini Remote Controls

One-channel, multi-channel, wall-mounted remote controls.

Compact Roll and OPTime radio receivers

Small radio receivers. Compatible with the Cherubini remote controls.



Plug&Play Plus Ø35

more than a motor, a system!



Electronic limit switch, wire control and encoder

This motor is recommended as drive system for interior and exterior "monobloc" shutters, roller blinds and screens.

Easy to install

Insert the motor into the tube, connect it to the power supply and it's ready.
When using mechanical stops no adjustment required.

Versatile

Without mechanical blocks upwards or downwards, one or both limit switches may be set on the external button panel.

DEDICATED BUTTON PANEL NOT REQUIRED!

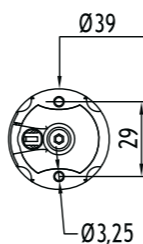
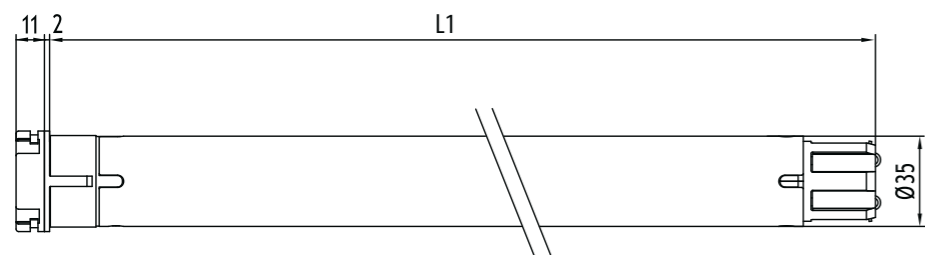
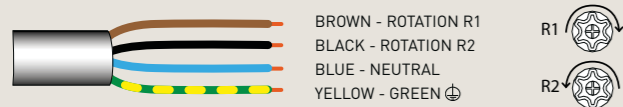
Protection against freezing

The motor will not operate if the guides and/or slats are frozen.

Specific functions

- Automatic or manual adjustment of the limit switch.
- Obstacle recognition either upwards or downwards, with drive inversion.
- May be connected either directly or in parallel.

MOTOR WITH WIRE CONTROL



Plug&Play Plus Ø35

MAIN CHARACTERISTICS

TECHNICAL FEATURES

Motor torque (Nm)	
Speed (rpm)	
Power (W)	
Power supply (V/Hz)	
Consumption (A)	
Cable 4 x 0,75 (m)	
Operating time (min)	
Protection degree	
Weight (kg)	
L1 (mm)	

APPLICATION



TECHNOLOGY



Code	Head	Torque	Speed
CEQ35053000	Plastic material	5 Nm	30 rpm
CEQ35091600	Plastic material	9 Nm	16 rpm

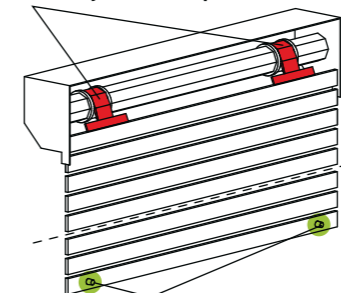
Certifications are available on the cherubini-group.com website

5/30	9/16
5	9
30	16
130	130
230/50	230/50
0,60	0,60
lg. 3	lg. 3
4	4
IP44	IP44
1,7	1,7
547	547

MECHANICAL BLOCKS

Accessories **A** and **B** are required for operation

A safety or end stops



B visible or hidden stoppers

COMPATIBLE SYSTEMS

For the complete range of compatible systems see "Compatibility Table" on page 122



MyRoll

Allows motors to be operated automatically.

Senso Wire Ø35

ideal for screens and mosquito nets



Electronic limit switch, wire control and encoder

EASY TO INSTALL, EASY TO PROGRAM!

Adjustment of the limit switches through control panel

- No need to access the motor head.

DEDICATED BUTTON PANEL NOT REQUIRED!

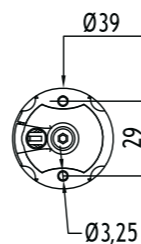
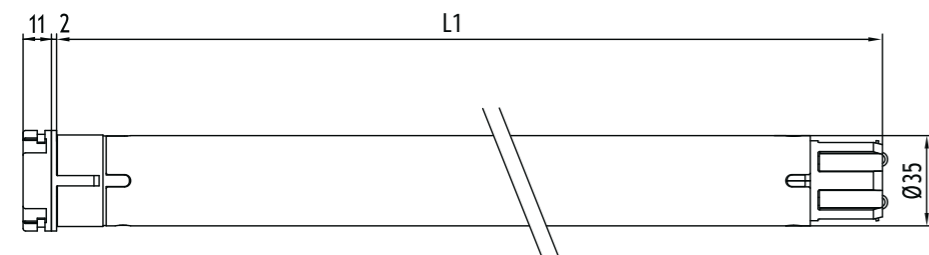
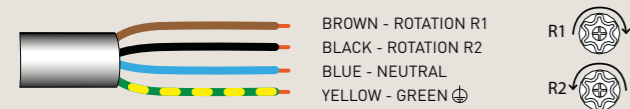
Specific functions

- "Super-sensitivity" function on obstacle detection (downwards), setting on 3 levels possible.

- May be connected either directly or in parallel.



MOTOR WITH WIRE CONTROL



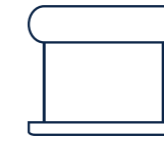
Senso Wire Ø35

MAIN CHARACTERISTICS

TECHNICAL FEATURES

Motor torque (Nm)	
Speed (rpm)	
Power (W)	
Power supply (V/Hz)	
Consumption (A)	
Cable 4 x 0,75 (m)	
Operating time (min)	
Protection degree	
Weight (kg)	
L1 (mm)	

APPLICATION



TECHNOLOGY



Code	Head	Torque	Speed
CEG35053000	Plastic material	5 Nm	30 rpm
CEG35091600	Plastic material	9 Nm	16 rpm

Certifications are available on the cherubini-group.com website

5/30	9/16
5	9
30	16
130	130
230/50	230/50
0,60	0,60
lg. 3	lg. 3
4	4
IP44	IP44
1,7	1,7
547	547

COMPATIBLE SYSTEMS

For the complete range of compatible systems see "Compatibility Table" on page 122



Cherubini Remote Controls

One-channel, multi-channel, wall-mounted remote controls.



TDS Gold radio receiver

These receivers make it possible to activate mechanical motors automatically.



Climatic controls WindTec WindTec SC

Radio Wind- & Sun sensor (wireless via radio receiver) and Wind sensor (wired).

Tronic RX Ø35

ideal for screens and mosquito nets



Electronic limit switch with built-in receiver, wire and radio control

Simple and intuitive adjustment of the limit switch from the remote control.

The encoder technology makes it possible to keep the position set with optimum precision and reliability.

Safety and simplicity

High-safety coding system "Rolling Code".

Easy programming and operation: the motor confirms all the steps by means of small rotations.

Specific functions

- Manual and semi-automatic adjustment of the limit switches.
- Protection against freezing and obstacle detection on both directions, sensitivity setting on 3 levels possible.
- "Super-sensitivity" function on obstacle detection (downwards), set by remote control, setting on 3 levels possible.
- Possibility of memorizing an intermediate position.
- Setting possible with remote control or wired switch.

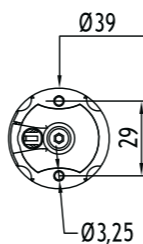
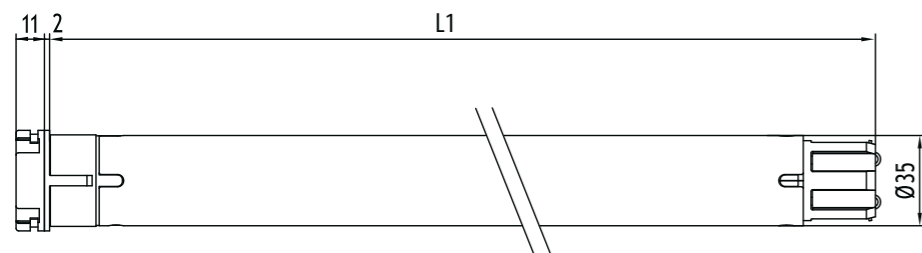
Optional connections

Wired switch.

MOTOR WITH BUILT-IN RECEIVER



BROWN - PHASE
WHITE - WIRED SWITCH
BLUE - NEUTRAL
YELLOW - GREEN ⊕



Tronic RX Ø35

MAIN CHARACTERISTICS

TECHNICAL FEATURES

Motor torque (Nm)	9	13
Speed (rpm)	16	10
Power (W)	130	130
Power supply (V/Hz)	230/50	230/50
Radio frequency (MHz)	433,92	433,92
Consumption (A)	0,60	0,60
Cable 4 x 0,75 (m)	lg. 2,5	lg. 2,5
Operating time (min)	4	4
Protection degree	IP44	IP44
Receiver storage capacity (No. Remote controls)	15	15
Weight (kg)	1,7	1,7
L1 (mm)	547	547

COMPATIBLE SYSTEMS

For the complete range of compatible systems see "Compatibility Table" on page 122

APPLICATION



TECHNOLOGY



Code	Head	Torque	Speed
CER35091600	Plastic material	9 Nm	16 rpm
CER35131000	Plastic material	13 Nm	10 rpm

Certifications are available on the cherubini-group.com website

9/16	13/10
9	13
16	10
130	130
230/50	230/50
433,92	433,92
0,60	0,60
lg. 2,5	lg. 2,5
4	4
IP44	IP44
15	15
1,7	1,7
547	547



Skipper Senso

One-channel remote control with integrated light and temperature sensors. It enables the desired light and temperature levels to be maintained, in summer and winter.

Cherubini Remote Controls

One-channel, multi-channel, wall-mounted remote controls.

Domotic Transmitter

It gives the possibility of integrating motors to the home automation system via radio.

METAHome Gateway

Enables control of Z-Wave devices and Cherubini CRC RX radio motors via smartphones and voice assistants.

Senso RX Ø35



ideal for screens, mosquito nets and interior venetian blinds

Electronic limit switch with built-in receiver, wire and radio control

Simple and intuitive adjustment of the limit switch from the remote control.

The encoder technology makes it possible to keep the position set with optimum precision and reliability.

Safety and simplicity

High-safety coding system "Rolling Code".

Easy programming and operation: the motor confirms all the steps by means of small rotations.

Specific functions

- "Super-sensitivity" function on obstacle detection (downwards) with drive inversion, set by remote control, setting on 3 levels possible, especially for screens and mosquito blinds.
- Possibility of memorizing an intermediate position.
- Setting possible with remote control or wired switch.

Optional connections

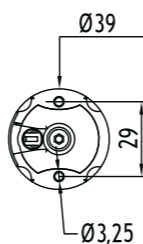
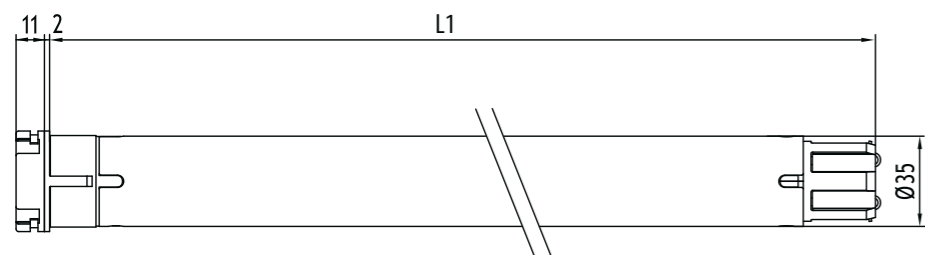
Wired switch.

Connection to WindTec and Rugiada climatic controls via radio.

MOTOR WITH BUILT-IN RECEIVER



BROWN - PHASE
WHITE - WIRED SWITCH
BLUE - NEUTRAL
YELLOW - GREEN ⊕



Senso RX Ø35

MAIN CHARACTERISTICS

TECHNICAL FEATURES

Motor torque (Nm)	3	5	9
Speed (rpm)	30	30	16
Power (W)	110	130	130
Power supply (V/Hz)	230/50	230/50	230/50
Radio frequency (MHz)	433,92	433,92	433,92
Consumption (A)	0,50	0,60	0,60
Cable 4 x 0,75 (m)	lg. 2,5	lg. 2,5	lg. 2,5
Operating time (min)	4	4	4
Protection degree	IP44	IP44	IP44
Receiver storage capacity (No. Remote controls)	15	15	15
Weight (kg)	1,7	1,7	1,7
L1 (mm)	547	547	547

COMPATIBLE SYSTEMS

For the complete range of compatible systems see "Compatibility Table" on page 122

APPLICATION



TECHNOLOGY



Code	Head	Torque	Speed
CEA35033000	Plastic material	3 Nm	30 rpm
CEA35053000	Plastic material	5 Nm	30 rpm
CEA35091600	Plastic material	9 Nm	16 rpm

Certifications are available on the cherubini-group.com website

3/30	5/30	9/16
3	5	9
30	30	16
110	130	130
230/50	230/50	230/50
433,92	433,92	433,92
0,50	0,60	0,60
lg. 2,5	lg. 2,5	lg. 2,5
4	4	4
IP44	IP44	IP44
15	15	15
1,7	1,7	1,7
547	547	547



Skipper Senso

One-channel remote control with integrated light and temperature sensors. It enables the desired light and temperature levels to be maintained, in summer and winter.

Cherubini Remote Controls

One-channel, multi-channel, wall-mounted remote controls.

METAHome Gateway

Enables control of Z-Wave devices and Cherubini CRC RX radio motors via smartphones and voice assistants.

Climatic controls WindTec

Wind and sun/wind sensors with connection to the motor via radio (wireless).

Movi Ø45

the simplest solution for roller shutters and vertical blinds



Motor with wire control with mechanical limit switch

Reliable and easy adjustment of the limit switches.
Fixed limit switch position.

Strength and safety

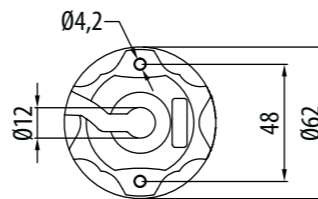
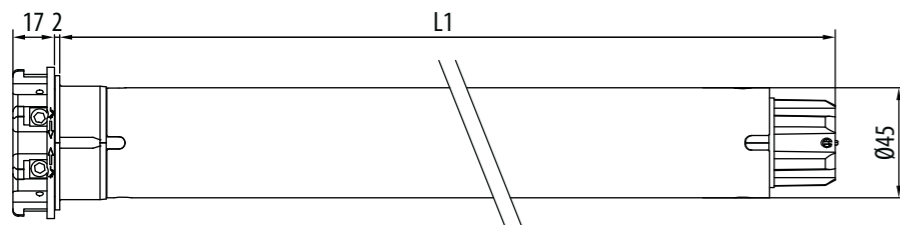
The star-shaped technopolymer (10-30 Nm) or Zama (40-50 Nm) reducer pin makes the motor highly reliable.



MOTOR WITH WIRE CONTROL



BROWN - ROTATION R1
BLACK - ROTATION R2
BLUE - NEUTRAL
YELLOW - GREEN \oplus



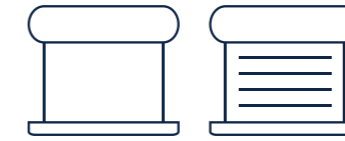
Movi Ø45

MAIN CHARACTERISTICS

TECHNICAL FEATURES

Motor torque (Nm)	
Speed (rpm)	
Mechanical limit switch*	
Power (W)	
Power supply (V/Hz)	
Consumption (A)	
Cable** 4 x 0,75 (m)	
Operating time (min)	
Protection degree	
Weight (kg)	
L1 (mm)	

APPLICATION



Code	Head	Torque	Speed
CMM45101700	Plastic material	10 Nm	17 rpm
CMM45201700	Plastic material	20 Nm	17 rpm
CMM45301700	Plastic material	30 Nm	17 rpm
CMM45401700	Plastic material	40 Nm	17 rpm
CMM45501200	Plastic material	50 Nm	12 rpm

Certifications are available on the cherubini-group.com website

This motor is compatible with the fastening system **OPTime**

	10/17	20/17	30/17	40/17	50/12
Motor torque (Nm)	10	20	30	40	50
Speed (rpm)	17	17	17	17	12
Mechanical limit switch*	25	25	25	25	25
Power (W)	135	200	250	275	275
Power supply (V/Hz)	230/50	230/50	230/50	230/50	230/50
Consumption (A)	0,60	0,90	1,10	1,20	1,25
Cable** 4 x 0,75 (m)	lg. 2,5	lg. 2,5	lg. 2,5	lg. 2,5	lg. 2,5
Operating time (min)	4	4	4	4	4
Protection degree	IP44	IP44	IP44	IP44	IP44
Weight (kg)	2,3	2,5	3,0	3,0	3,0
L1 (mm)	496	546	546	586	586

* Upon request, available with 37 turns before stop

** Possibility of cable with Hirschmann STAS 3.



Cherubini Remote Controls

One-channel, multi-channel, wall-mounted remote controls.



Compact Roll and OPTime radio receivers

Small radio receivers. Compatible with the Cherubini remote controls.

COMPATIBLE SYSTEMS

For the complete range of compatible systems see "Compatibility Table" on page 122

Movi RX Ø45



the motor for roller shutters and vertical blinds with integrated radio

Mechanical limit switch with in-built receiver

Simple and intuitive adjustment of the limit switches.

Safety and simplicity

High-safety coding system "Rolling Code".

Easy programming and operation: the motor confirms all the steps by means of small rotations.

Strength and safety

The star-shaped technopolymer (10-30 Nm) or Zama (40-50 Nm) reducer pin makes the motor highly reliable.

Optional connections

Wired switch.

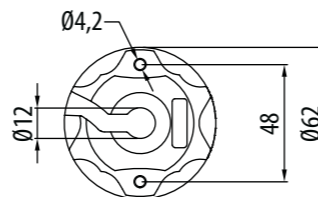
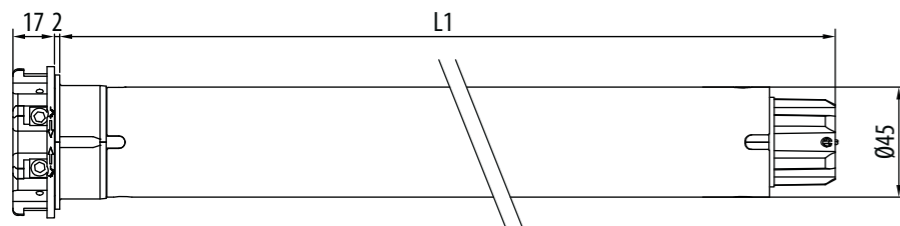
Connection to WindTec, Mistral and Rugiada climatic controls via radio.



MOTOR WITH BUILT-IN RECEIVER



BROWN - PHASE
WHITE - WIRED SWITCH
BLUE - NEUTRAL
YELLOW - GREEN ⊕



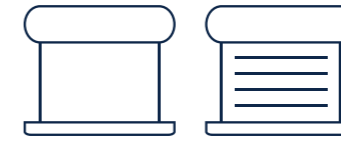
Movi RX Ø45

MAIN CHARACTERISTICS

TECHNICAL FEATURES

Motor torque (Nm)	
Speed (rpm)	
Mechanical limit switch*	
Power (W)	
Power supply (V/Hz)	
Consumption (A)	
Cable** 4 x 0,75 (m)	
Operating time (min)	
Protection degree	
Weight (kg)	
L1 (mm)	

APPLICATION



TECHNOLOGY



Code	Head	Torque	Speed
CMN45101700	Plastic material	10 Nm	17 rpm
CMN45201700	Plastic material	20 Nm	17 rpm
CMN45301700	Plastic material	30 Nm	17 rpm
CMN45401700	Plastic material	40 Nm	17 rpm
CMN45501200	Plastic material	50 Nm	12 rpm

Certifications are available on the cherubini-group.com website

This motor is compatible with the fastening system **OPTime**

10/17	20/17	30/17	40/17	50/12
10	20	30	40	50
17	17	17	17	12
25	25	25	25	25
135	200	250	275	275
230/50	230/50	230/50	230/50	230/50
0,60	0,90	1,10	1,20	1,25
lg. 2,5	lg. 2,5	lg. 2,5	lg. 2,5	lg. 2,5
4	4	4	4	4
IP44	IP44	IP44	IP44	IP44
2,3	2,5	3,0	3,0	3,0
646	646	671	671	671

* Upon request, available with 37 turns before stop

** Possibility of cable with Hirschmann STAS 3.

COMPATIBLE SYSTEMS

For the complete range of compatible systems see "Compatibility Table" on page 122



Cherubini Remote Controls

One-channel, multi-channel, wall-mounted remote controls.



METAHome Gateway

Enables control of Z-Wave devices and Cherubini CRC RX radio motors via smartphones and voice assistants.



Climatic controls WindTec WindTec SC

Radio Wind- & Sun sensor (wireless via radio receiver) and Wind sensor (wired).

Micro Ø45

ideal for limited spaces



Mechanical limit switch

Reliable and easy adjustment of the limit switches.

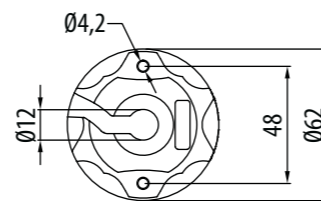
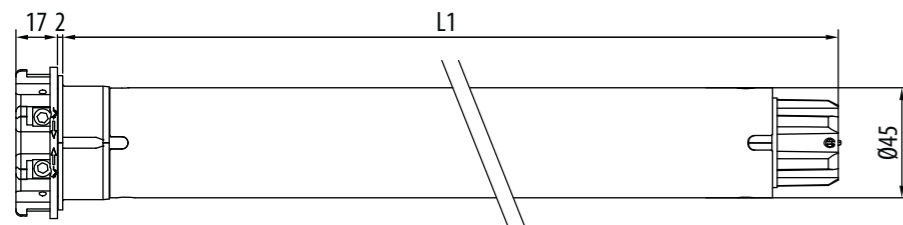
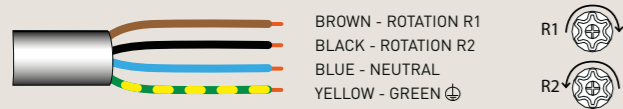
Strength and safety

The star-shaped technopolymer reducer pin makes the motor highly reliable.

SMALL MOTOR (44 cm)



MOTOR WITH WIRE CONTROL



Micro Ø45

MAIN CHARACTERISTICS

TECHNICAL FEATURES

Motor torque (Nm)	10
Speed (rpm)	17
Mechanical limit switch	25
Power (W)	135
Power supply (V/Hz)	230/50
Consumption (A)	0,60
Cable 4 x 0,75 (m)	lg. 2,5
Operating time (min)	4
Protection degree	IP44
Weight (kg)	1,9
L1 (mm)	421

APPLICATION



Code	Head	Torque	Speed
CMC45101700	Plastic material	10 Nm	17 rpm

Certifications are available on the cherubini-group.com website

This motor is compatible with the fastening system **OPTime**

10/17

10
17
25
135
230/50
0,60
lg. 2,5
4
IP44
1,9
421

COMPATIBLE SYSTEMS

For the complete range of compatible systems see "Compatibility Table" on page 122



Cherubini Remote Controls

One-channel, multi-channel, wall-mounted remote controls.



Compact Roll and OPTime radio receivers

Small radio receivers. Compatible with the Cherubini remote controls.

Garda Ø45



Mechanical limit switch

Reliable and easy adjustment of the limit switches.

Attachment without brackets

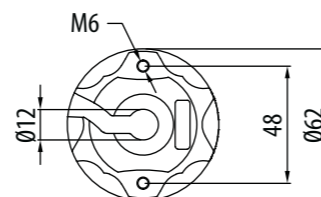
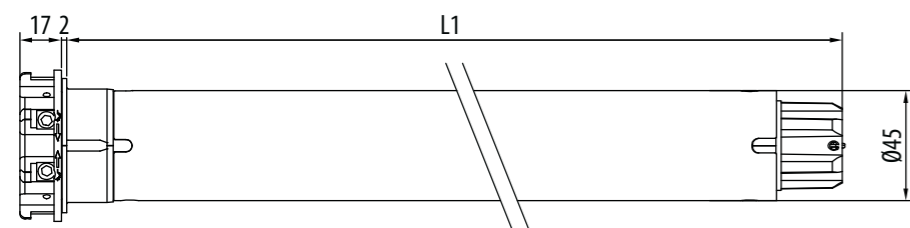
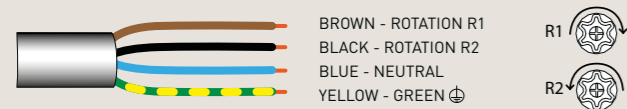
Thanks to the metallic head, the motor can be fastened directly to the bracket without needing additional supports.

Strength and safety

The star-shaped metallic reducer pin makes the motor highly reliable.



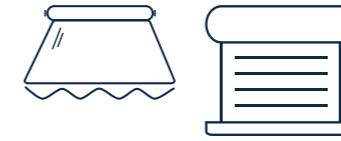
MOTOR WITH WIRE CONTROL



Garda Ø45

MAIN CHARACTERISTICS

APPLICATION



Code	Head	Torque	Speed
CME45101700	Zama	10 Nm	17 rpm
CME45151700	Zama	15 Nm	17 rpm
CME45251700	Zama	25 Nm	17 rpm
CME45321700	Zama	32 Nm	17 rpm
CME45401700	Zama	40 Nm	17 rpm
CME45501200	Zama	50 Nm	12 rpm
CME45400400	Zama	40 Nm	4 rpm

Certifications are available on the cherubini-group.com website

TECHNICAL FEATURES

Motor torque (Nm)	
Speed (rpm)	
Mechanical limit switch*	
Power (W)	
Power supply (V/Hz)	
Consumption (A)	
Cable** 4 x 0,75 (m)	
Operating time (min)	
Protection degree	
Weight (kg)	
L1 (mm)	

10/17	15/17	25/17	32/17	40/17	50/12	40/4
10	15	25	32	40	50	40
17	17	17	17	17	12	4
25	25	25	25	25	25	25
150	170	225	250	275	275	215
230/50	230/50	230/50	230/50	230/50	230/50	230/50
0,70	0,80	1,00	1,10	1,25	1,25	0,90
lg. 2,5	lg. 2,5	lg. 2,5	lg. 2,5	lg. 2,5	lg. 2,5	lg. 2,5
4	4	4	4	4	4	4
IP44	IP44	IP44	IP44	IP44	IP44	IP44
2,7	2,7	3,0	3,0	3,0	3,0	3,2
546	546	546	546	546	546	587

* Upon request, available with 37 turns before stop

** Possibility of cable with Hirschmann STAS 3.



Cherubini Remote Controls

One-channel, multi-channel, wall-mounted remote controls.

Radio receivers for awnings

These receivers make it possible to activate mechanical motors automatically.

Radio receivers for rolling shutters

Small radio receivers. Compatible with the Cherubini remote controls.

Climatic controls WindTec WindTec SC

Radio Wind- & Sun sensor (wireless via radio receiver) and Wind sensor (wired).

COMPATIBLE SYSTEMS

For the complete range of compatible systems see "Compatibility Table" on page 122

Garda RX Ø45



Mechanical limit switch with in-built receiver

Reliable and easy adjustment of the limit switches.

Attachment without brackets

Thanks to the metallic head, the motor can be fastened directly to the bracket without needing additional supports.

Strength and safety

The star-shaped metallic reducer pin makes the motor highly reliable.

Safety and simplicity

High-safety coding system "Rolling Code". Easy programming and operation: the motor confirms all the steps by means of small rotations.

Optional connections

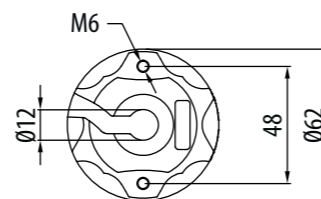
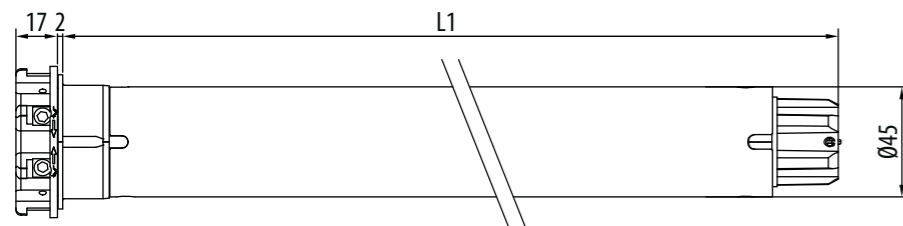
Wired switch.

Connection to WindTec, Mistral and Rugiada climatic controls via radio.

MOTOR WITH BUILT-IN RECEIVER



BROWN - PHASE
WHITE - WIRED SWITCH
BLUE - NEUTRAL
YELLOW - GREEN ⊕



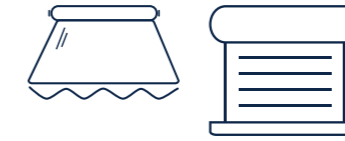
Garda RX Ø45

MAIN CHARACTERISTICS

TECHNICAL FEATURES

Motor torque (Nm)	
Speed (rpm)	
Mechanical limit switch	
Power (W)	
Power supply (V/Hz)	
Radio frequency (MHz)	
Consumption (A)	
Cable 4 x 0,75 (m)	
Operating time (min)	
Protection degree	
Receiver storage capacity (No. Remote controls)	
Weight (kg)	
L1 (mm)	

APPLICATION



TECHNOLOGY



Code	Head	Torque	Speed
CMT45101700	Zama	10 Nm	17 rpm
CMT45151700	Zama	15 Nm	17 rpm
CMT45251700	Zama	25 Nm	17 rpm
CMT45321700	Zama	32 Nm	17 rpm
CMT45401700	Zama	40 Nm	17 rpm
CMT45501200	Zama	50 Nm	12 rpm

Certifications are available on the cherubini-group.com website

10/17	15/17	25/17	32/17	40/17	50/12
10	15	25	32	40	50
17	17	17	17	17	12
25	25	25	25	25	25
150	170	225	250	275	275
230/50	230/50	230/50	230/50	230/50	230/50
433,92	433,92	433,92	433,92	433,92	433,92
0,70	0,80	1,00	1,10	1,25	1,25
lg. 2,5	lg. 2,5	lg. 2,5	lg. 2,5	lg. 2,5	lg. 2,5
4	4	4	4	4	4
IP44	IP44	IP44	IP44	IP44	IP44
15	15	15	15	15	15
3,2	3,2	3,6	3,6	3,6	3,6
646	646	646	646	646	646

COMPATIBLE SYSTEMS

For the complete range of compatible systems see "Compatibility Table" on page 122



Cherubini Remote Controls

One-channel, multi-channel, wall-mounted remote controls.

METAHome Gateway

Enables control of Z-Wave devices and Cherubini CRC RX radio motors via smartphones and voice assistants.

Rugiada TX Radio Rain-sensor

Rain-sensor wireless set on Cherubini Domotic transmitter.

Climatic controls WindTec and Mistral

Wind-sensor, Wind- & Sun-sensor and wireless vibrating Wind-sensor.

Ocean Ø45



Mechanical limit switch

Reliable and easy adjustment of the limit switches.
Double access to the adjusting screws.

Compact override

Thanks to its small size, this device can be installed in limited spaces.
The reduction ratio is **1:24**.

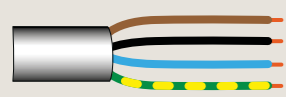
Attachment without brackets

Thanks to the metallic head, the motor can be fastened directly to the bracket without needing additional supports.

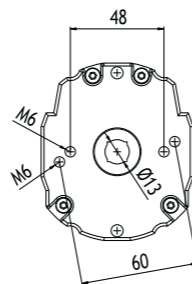
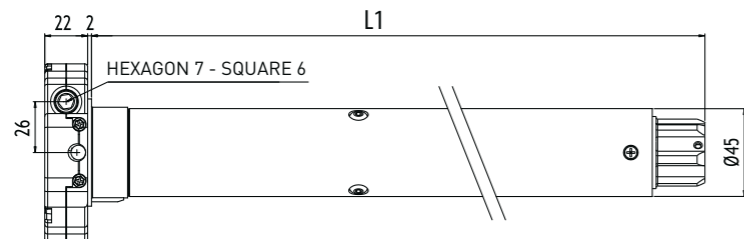
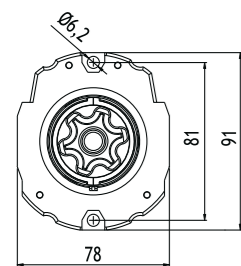
Strength and safety

The star-shaped metallic reducer pin makes the motor highly reliable.

MOTOR WITH WIRE CONTROL AND OVERRIDE



BROWN - ROTATION R1
BLACK - ROTATION R2
BLUE - NEUTRAL
YELLOW - GREEN \oplus



Ocean Ø45

MAIN CHARACTERISTICS

TECHNICAL FEATURES

Motor torque (Nm)	
Speed (rpm)	
Mechanical limit switch	
Power (W)	
Power supply (V/Hz)	
Consumption (A)	
Cable* 4 x 0,75 (m)	
Operating time (min)	
Protection degree	
Weight (kg)	
L1 (mm)	

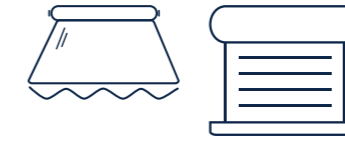
ACCESSORIES FOR MANUAL OPERATION

For a complete list see "Accessories for manual operation" on page 167

COMPATIBLE SYSTEMS

For the complete range of compatible systems see "Compatibility Table" on page 122

APPLICATION



Code	Head	Torque	Speed
CMS45151700	Zama	15 Nm	17 rpm
CMS45251700	Zama	25 Nm	17 rpm
CMS45321700	Zama	32 Nm	17 rpm
CMS45401700	Zama	40 Nm	17 rpm
CMS45501200	Zama	50 Nm	12 rpm

Certifications are available on the cherubini-group.com website

15/17	25/17	32/17	40/17	50/12
15	25	32	40	50
17	17	17	17	12
32	32	32	32	32
170	225	250	275	275
230/50	230/50	230/50	230/50	230/50
0,80	1,00	1,10	1,25	1,25
lg. 2,5	lg. 2,5	lg. 2,5	lg. 2,5	lg. 2,5
4	4	4	4	4
IP44	IP44	IP44	IP44	IP44
3,7	4,0	4,0	4,0	4,0
646	646	646	646	646

*Possibility of cable with Hirschmann STAS 3.



Foldable crank
with hook length 150 cm
Ref. 7463 150G 2101



Crank
lg. 150 cm
Ref. 9100 150L CH02



Eye with hexagon
7 x 86 mm
Ref. 6010 7008 CH16

AUTOMATION OF THE MOTOR WITH MANUAL OVERRIDE DEVICE

Ocean combined with TDS Compact and Compact Roll radio receivers becomes a radio controlled motor and takes on new functions.

Moving the override, the end positions remain unchanged.



OCEAN + TDS Compact

- Obstacle recognition during closing.
- Closing force adjustment on 3 levels possible.
- First intermediate position programmable from the remote control.
- Second intermediate position programmable from the remote control and controlled by the WindTec Lux light sensor.



OCEAN + Compact ROLL

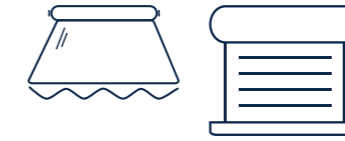
- Obstacle detection on both directions, sensitivity setting on 3 levels possible.
- Two intermediate positions that are programmable and usable from the remote control.

Ocean RX Ø45



Ocean RX Ø45

APPLICATION



TECHNOLOGY



Mechanical limit switch

Built-in radio receiver et override device

The reduction ratio is **1:24**.

Safety and simplicity

High-safety coding system "Rolling Code".

Easy programming and operation: the motor confirms all the steps by means of small rotations.

Specific functions

- Precise adjustment for cassette awnings: the mechanical stop and regulation of the closing force enable the perfect awning closure, avoiding the danger of excessive pull on the fabric.
- Obstacle detection upwards, sensitivity setting on 3 levels possible via remote control.
- Direct fixing to the bracket without using supports.

Optional connections

Wired switch.

Connection to WindTec, Mistral and Rugiada climatic controls via radio.

MOTOR WITH BUILT-IN RECEIVER AND OVERRIDE DEVICE



BROWN - PHASE
WHITE - WIRED SWITCH
BLUE - NEUTRAL
YELLOW - GREEN ⊕



MAIN CHARACTERISTICS

TECHNICAL FEATURES

Motor torque (Nm)	32	40	50
Speed (rpm)	17	17	12
Mechanical limit switch	32	32	32
Power (W)	250	275	275
Power supply (V/Hz)	230/50	230/50	230/50
Radio frequency (MHz)	433,92	433,92	433,92
Consumption (A)	1,10	1,25	1,25
Cable* 4 x 0,75 (m)	lg. 3	lg. 3	lg. 3
Operating time (min)	4	4	4
Protection degree	IP44	IP44	IP44
Receiver storage capacity (No. Remote controls)	15	15	15
Weight (kg)	4,2	4,2	4,2
L1 (mm)	725	725	725

ACCESSORIES FOR MANUAL OPERATION

For a complete list see "Accessories for manual operation" on page 167



Foldable crank
with hook length 150 cm
Ref. 7463 150G 2101



Crank
lg. 150 cm
Ref. 9100 150L CH02



Eye with hexagon
7 x 86 mm
Ref. 6010 7008 CH16



Cherubini Remote Controls

One-channel, multi-channel, wall-mounted remote controls.



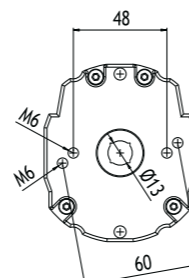
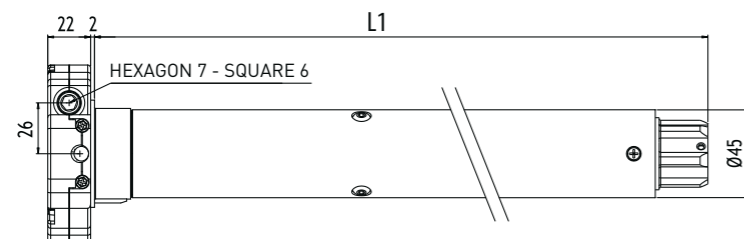
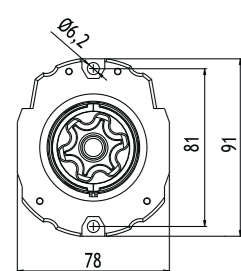
Rugiada TX Radio Rain-sensor

Rain-sensor wireless set on Cherubini Domotic transmitter.



Climatic controls WindTec and Mistral

Wind-sensor, Wind- & Sun-sensor and wireless vibrating Wind-sensor.



Plug&Play Plus Ø45

more than a motor, a system!



Electronic limit switch, wire control and encoder

This motor is recommended as drive system for interior and exterior "monobloc" shutters, roller blinds and screens.

Easy to install

Insert the motor into the tube, connect it to the power supply and it's ready.

When using mechanical stops no adjustment required.

Versatile

Without mechanical blocks upwards or downwards, one or both limit switches may be set on the external button panel.

DEDICATED BUTTON PANEL NOT REQUIRED!

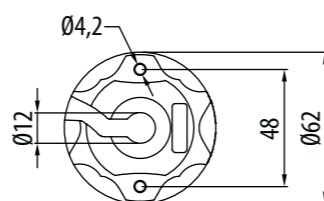
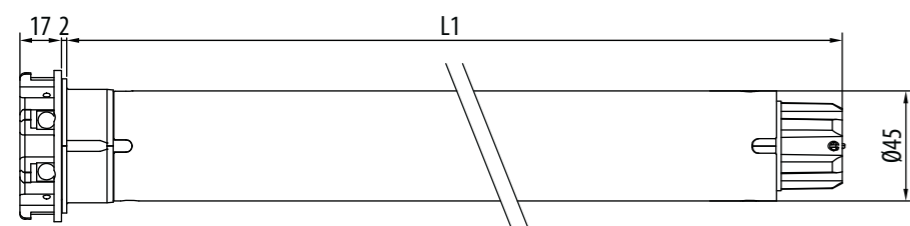
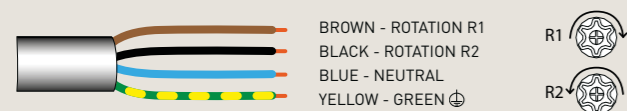
Protection against freezing

The motor will not operate if the guides and/or slats are frozen.

Specific functions

- Automatic or manual adjustment of the limit switch.
- Upwards and downwards obstacle detection with stop and reverse relaxation movement.
- Periodic relaxation movement on stop.
- May be connected either directly or in parallel.

MOTOR WITH WIRE CONTROL



Plug&Play Plus Ø45

MAIN CHARACTERISTICS

TECHNICAL FEATURES

Motor torque (Nm)	
Speed (rpm)	
Power (W)	
Power supply (V/Hz)	
Consumption (A)	
Cable 4 x 0,75 (m)	
Operating time (min)	
Protection degree	
Weight (kg)	
L1 (mm)	

MECHANICAL BLOCKS

COMPATIBLE SYSTEMS

For the complete range of compatible systems see "Compatibility Table" on page 122

APPLICATION



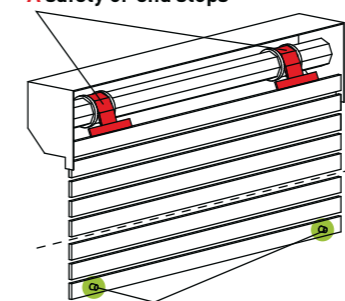
Code	Head	Torque	Speed
CEQ45061700	Plastic material	6 Nm	17 rpm
CEQ45101700	Plastic material	10 Nm	17 rpm
CEQ45151700	Plastic material	15 Nm	17 rpm
CEQ45251700	Plastic material	25 Nm	17 rpm
CEQ45321700	Plastic material	32 Nm	17 rpm
CEQ45401700	Plastic material	40 Nm	17 rpm
CEQ45501200	Plastic material	50 Nm	12 rpm

Certifications are available on the cherubini-group.com website

6/17	10/17	15/17	25/17	32/17	40/17	50/12
6	10	15	25	32	40	50
17	17	17	17	17	17	12
110	135	170	225	250	275	275
230/50	230/50	230/50	230/50	230/50	230/50	230/50
0,50	0,60	0,80	1,00	1,10	1,25	1,25
lg. 3	lg. 3	lg. 3	lg. 3	lg. 3	lg. 3	lg. 3
4	4	4	4	4	4	4
IP44	IP44	IP44	IP44	IP44	IP44	IP44
2,3	2,5	2,5	3,2	3,2	3,2	3,2
546	546	546	586	586	586	586

A and **B** accessories are required for automatic limit switch adjustment.

A safety or end stops



B visible or hidden stoppers



MyRoll

Allows motors to be operated automatically.

Plug&Play Ø45

more than a motor, a system!



Electronic limit switch with wired control

This motor is recommended as drive system for interior and exterior "monobloc" shutters.

Easy to install

Insert the motor into the tube, connect it to the power supply and it's ready.

NO ADJUSTMENT REQUIRED.

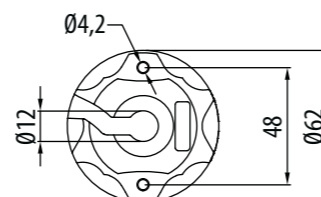
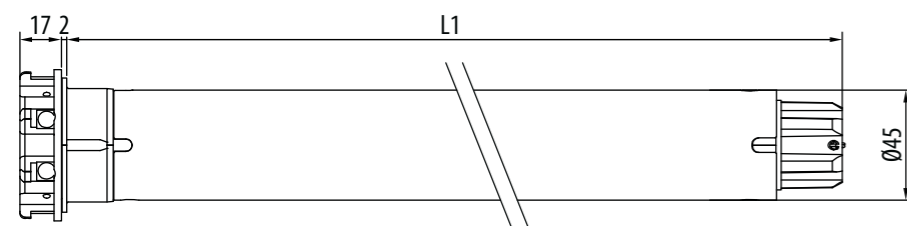
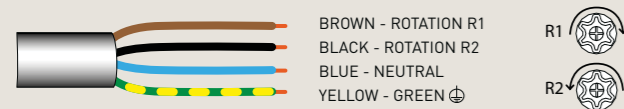
Self-learning

Limit switches are optimized owing to the constant torque metering for the entire path the blinds take.

Specific functions

- Automatic adjustment of the limit switches.
- Protection against freezing and obstacle detection on both directions.
- May be connected either directly or in parallel.
- Relaxation movement in each beat.
- Upwards and downwards obstacle detection with stop and reverse relaxation movement.

MOTOR WITH WIRE CONTROL



Plug&Play Ø45

MAIN CHARACTERISTICS

TECHNICAL FEATURES

Motor torque (Nm)
Speed (rpm)
Power (W)
Power supply (V/Hz)
Consumption (A)
Cable 4 x 0,75 (m)
Operating time (min)
Protection degree
Weight (kg)
L1 (mm)

APPLICATION



Code	Head	Torque	Speed
CEP45061700F	Plastic material	6 Nm	17 rpm
CEP45101700F	Plastic material	10 Nm	17 rpm
CEP45151700F	Plastic material	15 Nm	17 rpm
CEP45251700F	Plastic material	25 Nm	17 rpm

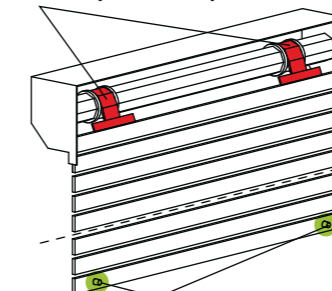
Certifications are available on the cherubini-group.com website
For higher motor torque see Plug&Play Plus on page 58

6/17	10/17	15/17	25/17
6	10	15	25
17	17	17	17
110	135	170	225
230/50	230/50	230/50	230/50
0,50	0,60	0,80	1,00
lg. 3	lg. 3	lg. 3	lg. 3
4	4	4	4
IP44	IP44	IP44	IP44
2,2	2,3	2,4	3,1
496	496	546	546

MECHANICAL BLOCKS

Accessories A and B are required for operation

A safety or end stops



Installation is very easy: once the motor is installed into the tube it adjusts itself automatically.

B visible or hidden stoppers

COMPATIBLE SYSTEMS

For the complete range of compatible systems see "Compatibility Table" on page 122



MyRoll

Allows motors to be operated automatically.

Plug&Play Ocean Easy Ø45

compact, strong, automatic!



Electronic limit switch and override device

Suitable for installation on rolling shutters with both stiff and stoppers on the last slat.

Compact override

The reduction ratio is **1:18**.

Easy to install

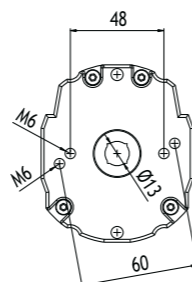
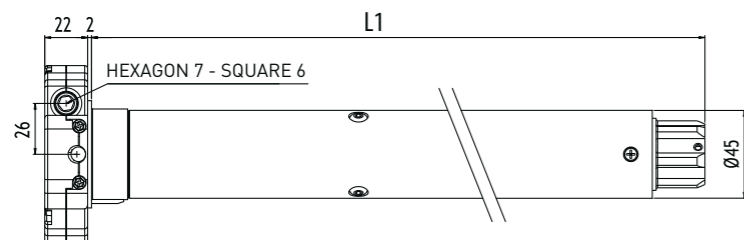
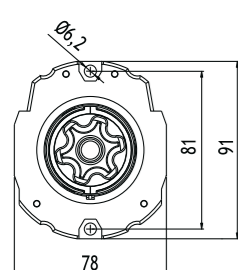
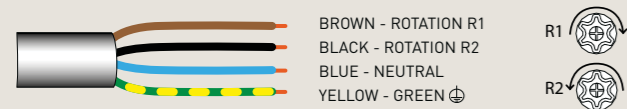
Insert the motor into the tube, connect it to the power supply and it's ready

NO ADJUSTMENT REQUIRED.

Specific functions

- Automatic adjustment of the limit switches.
- Limit switch self-learning feature after manual adjustment with manual override.
- Protection against freezing and obstacle detection on both directions.
- May be connected either directly or in parallel.

MOTOR WITH WIRE CONTROL AND OVERRIDE



Plug&Play Ocean Easy Ø45

MAIN CHARACTERISTICS

APPLICATION



Code	Head	Torque	Speed
CEN45101700	Zama	10 Nm	17 rpm
CEN45201700	Zama	20 Nm	17 rpm

Certifications are available on the cherubini-group.com website

TECHNICAL FEATURES

Motor torque (Nm)	
Speed (rpm)	
Power (W)	
Power supply (V/Hz)	
Consumption (A)	
Cable* 4 x 0,75	
Operating time (min)	
Protection degree	
Weight (kg)	
L1 (mm)	

10/17	20/17
10	20
17	17
150	170
230/50	230/50
0,70	0,80
lg. 15 cm (connector included)	lg. 15 cm (connector included)
4	4
IP44	IP44
3,5	3,5
646	646

*Black neoprene cable provided separately from the motor.

Choose the suitable length for the cable.

A4503_OJ02 Length 1 m

A4503_OJ03 Length 2 m

A4503_OD66 Length 3 m

A4503_OD67 Length 5 m

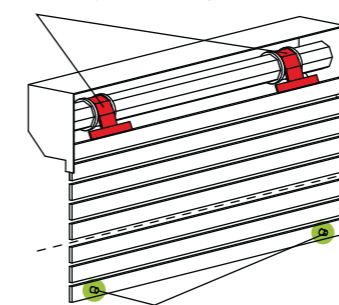
A4503_OD68 Length 10 m

MECHANICAL BLOCKS

ACCESSORIES FOR MANUAL OPERATION

For a complete list see "Accessories for manual operation" on page 167

A safety or end stops



Accessories A and B are required for operation

B visible or hidden stoppers



Cherubini Remote Controls

One-channel, multi-channel, wall-mounted remote controls.

Radio receivers OPTime

Quick coupling small radio receiver. Compatible with the Cherubini remote controls.

COMPATIBLE SYSTEMS

For the complete range of compatible systems see "Compatibility Table" on page 122

Plug&Play Exeo Easy Ø45

maximum opening speed with manual operation



Electronic limit switch and override device

Suitable for installation on shutters weighing up to 15 kg with octagonal roller 60, roller ZF 54 or ZF 64, equipped with rigid straps and end caps on the end blade.

Compact override and even faster

New **1:6.7** reduction ratio for faster manual opening in an emergency.

Easy to install

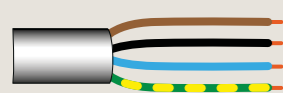
Insert the motor into the tube, connect it to the power supply and it's ready.

NO ADJUSTMENT REQUIRED.

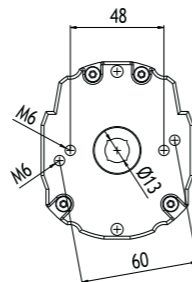
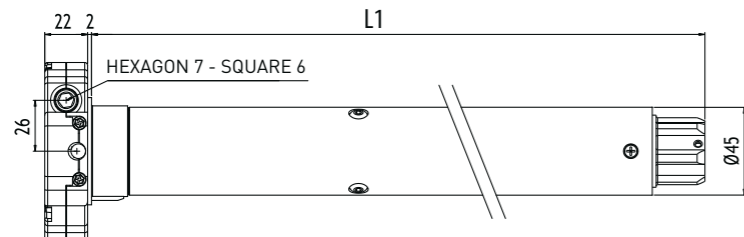
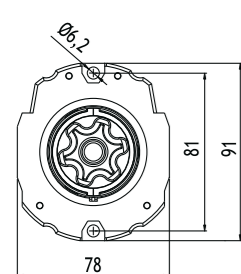
Specific functions

- Automatic adjustment of the limit switches.
- Limit switch self-learning feature after manual adjustment with manual override.
- Protection against freezing and obstacle detection on both directions.
- May be connected either directly or in parallel.

MOTOR WITH WIRE CONTROL AND OVERRIDE



BROWN - ROTATION R1
BLACK - ROTATION R2
BLUE - NEUTRAL
YELLOW - GREEN ⊕



Plug&Play Exeo Easy Ø45

MAIN CHARACTERISTICS

TECHNICAL FEATURES

Motor torque (Nm)	10
Speed (rpm)	17
Power (W)	105
Power supply (V/Hz)	230/50
Consumption (A)	0,48
Cable* 4 x 0,75	lg. 15 cm (connector included)
Operating time (min)	4
Protection degree	IP44
Weight (kg)	2,7
L1 (mm)	588

MECHANICAL BLOCKS

ACCESSORIES FOR MANUAL OPERATION

For a complete list see "Accessories for manual operation" on page 167

COMPATIBLE SYSTEMS

For the complete range of compatible systems see "Compatibility Table" on page 122

APPLICATION



Code	Head	Torque	Speed
CEH45101700	Zama	10 Nm	17 rpm

Certifications are available on the cherubini-group.com website

10/17

Motor torque (Nm)	10
Speed (rpm)	17
Power (W)	105
Power supply (V/Hz)	230/50
Consumption (A)	0,48
Cable* 4 x 0,75	lg. 15 cm (connector included)
Operating time (min)	4
Protection degree	IP44
Weight (kg)	2,7
L1 (mm)	588

*Black neoprene cable provided separately from the motor.

Choose the suitable length for the cable.

A4503_OJ02 Length 1 m

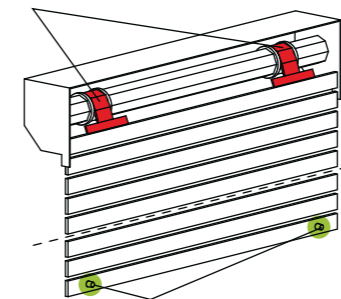
A4503_OD67 Length 5 m

A4503_OJ03 Length 2 m

A4503_OD68 Length 10 m

A4503_OD66 Length 3 m

A safety or end stops



Accessories **A** and **B** are required for operation

B visible or hidden stoppers



Cherubini Remote Controls

One-channel, multi-channel, wall-mounted remote controls.

Radio receivers OPTime

Quick coupling small radio receiver. Compatible with the Cherubini remote controls.

Plug&Play Safe Easy Ø45



compact motor for second escape routes

Electronic limit switch and override device

Can only be installed on shutters fitted with both stiff and stoppers on the last slat.

Compact override

Thanks to its small size, this device can be installed in limited spaces.

The reduction ratio is **1:15**.

Easy to install

Easy installation by inserting the motor into the tube and connecting the connector.

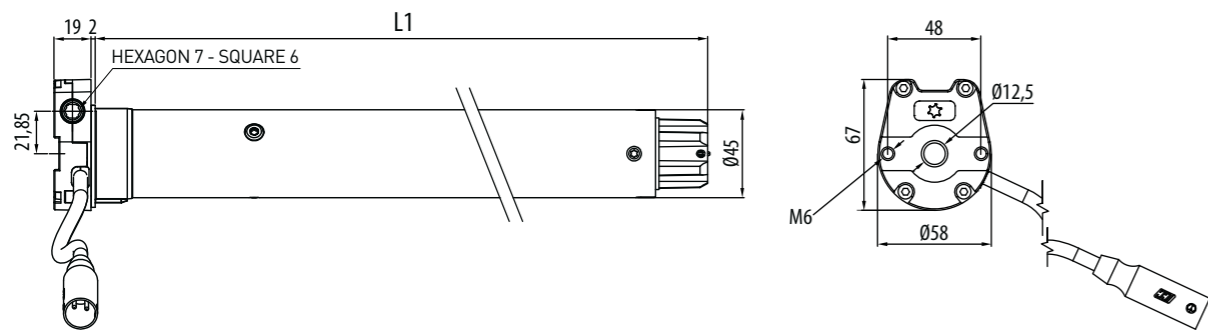
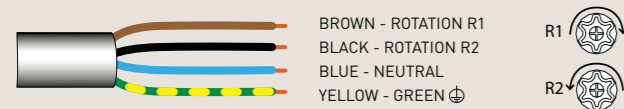
Specific functions

- Automatic adjustment of the limit switches.
- Limit switch self-learning feature after manual adjustment with manual override.
- Protection against freezing and obstacle detection on both directions.
- May be connected either directly or in parallel.

Easy connector with black neoprene cable

For maximum installation speed on-site.

MOTOR WITH WIRE CONTROL AND OVERRIDE



Plug&Play Safe Easy Ø45

MAIN CHARACTERISTICS

TECHNICAL FEATURES

Motor torque (Nm)
Speed (rpm)
Power (W)
Power supply (V/Hz)
Consumption (A)
Cable* 4 x 0,75
Operating time (min)
Protection degree
Weight (kg)
L1 (mm)

APPLICATION



Code	Head	Torque	Speed
CEK45061700	Zama	6 Nm	17 rpm
CEK45101700	Zama	10 Nm	17 rpm
CEK45151700	Zama	15 Nm	17 rpm

Certifications are available on the cherubini-group.com website

6/17	10/17	15/17
6	10	15
17	17	17
110	135	170
230/50	230/50	230/50
0,50	0,60	0,80
lg. 20 cm (connector included)	lg. 20 cm (connector included)	lg. 20 cm (connector included)
4	4	4
IP44	IP44	IP44
2,5	2,6	2,8
531	546	561

*Black neoprene cable provided separately from the motor.

Choose the suitable length for the cable.

A4503_OJ02 Length 1 m

A4503_OJ03 Length 2 m

A4503_OD66 Length 3 m

A4503_OD67 Length 5 m

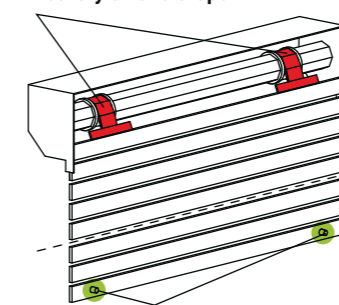
A4503_OD68 Length 10 m

MECHANICAL BLOCKS

ACCESSORIES FOR MANUAL OPERATION

For a complete list see "Accessories for manual operation" on page 167

A safety or end stops



B visible or hidden stoppers

Accessories A and B are required for operation



Cherubini Remote Controls

One-channel, multi-channel, wall-mounted remote controls.



Radio receivers OPTime

Quick coupling small radio receiver. Compatible with the Cherubini remote controls.

Plug&Play Short Ø45

all of the plug&play functions in just 36 cm!



Electronic limit switch with wired control

This motor is recommended as drive system for interior and exterior "monobloc" shutters.

Easy to install

Insert the motor into the tube, connect it to the power supply and it's ready.

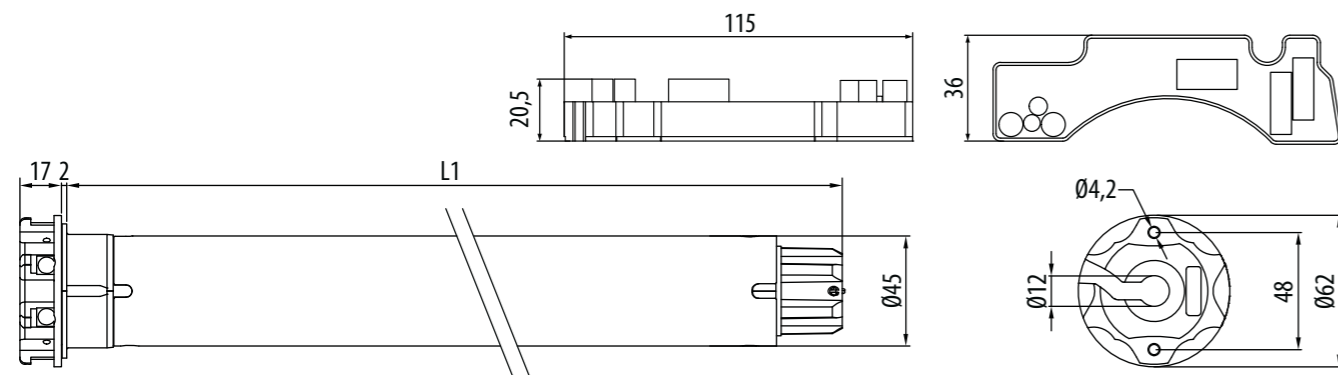
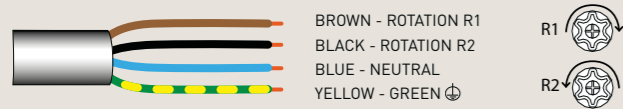
NO ADJUSTMENT REQUIRED.

Specific functions

- Automatic adjustment of the limit switches.
- Protection against freezing and obstacle detection on both directions.
- May be connected either directly or in parallel.



MOTOR WITH WIRE CONTROL



Plug&Play Short Ø45

APPLICATION



MAIN CHARACTERISTICS

Code	Head	Torque	Speed
CES45061700	Plastic material	6 Nm	17 rpm

Certifications are available on the cherubini-group.com website

TECHNICAL FEATURES

Motor torque (Nm)	6
Speed (rpm)	17
Power (W)	110
Power supply (V/Hz)	230/50
Consumption (A)	0,50
Cable 4 x 0,75 (m)	lg. 2,6
Operating time (min)	4
Protection degree	IP44
Weight (kg)	1,7*
L1 (mm)	343

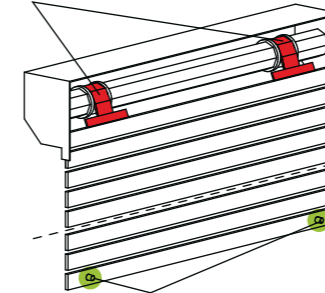
6/17

* Including the control unit

MECHANICAL BLOCKS

Accessories **A** and **B** are required for operation

A safety or end stops



Installation is very easy: once the motor is installed into the tube it adjusts itself automatically.

B visible or hidden stoppers

COMPATIBLE SYSTEMS

For the complete range of compatible systems see "Compatibility Table" on page 122

Plug&Play Short RX Ø45



all of the plug&play functions, plus radio-control, in just 36 cm!

Electronic limit switch with radio and wired control

This motor is recommended as drive system for interior and exterior "monobloc" shutters.

Easy to install

Insert the motor into the tube, connect it to the power supply and it's ready.

Optional connections

Wired switch.

Specific functions

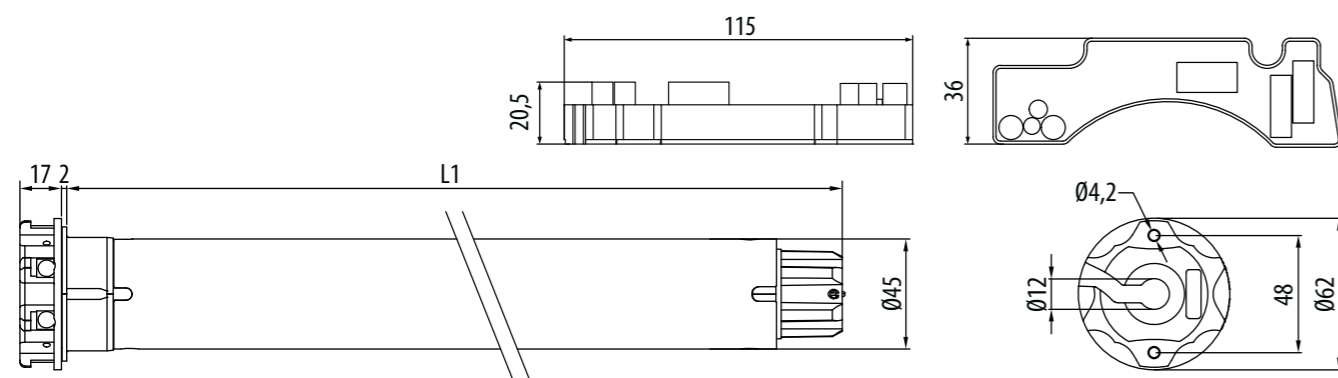
- Automatic adjustment of the limit switches.
- Protection against freezing and obstacle detection on both directions with drive inversion.
- Possibility to memorise 2 intermediate positions; They can be activated by remote control.
- With closing force adjustment.
- "Super-sensitivity" function on obstacle detection (downwards), set by remote control, to avoid the complete stack of slats.



MOTOR WITH BUILT-IN RECEIVER



BROWN - PHASE
WHITE - WIRED SWITCH
BLUE - NEUTRAL
YELLOW - GREEN ⊕



Plug&Play Short RX Ø45

MAIN CHARACTERISTICS

TECHNICAL FEATURES

Motor torque (Nm)	6
Speed (rpm)	17
Power (W)	110
Power supply (V/Hz)	230/50
Radio frequency (MHz)	433,92
Consumption (A)	0,50
Cable 4 x 0,75 (m)	lg. 2,6
Operating time (min)	4
Protection degree	IP44
Receiver storage capacity (No. Remote controls)	15
Weight (kg)	1,7 (including the control unit)
L1 (mm)	343

MECHANICAL BLOCKS

APPLICATION



TECHNOLOGY



Code	Head	Torque	Speed
CEX45061700	Plastic material	6 Nm	17 rpm

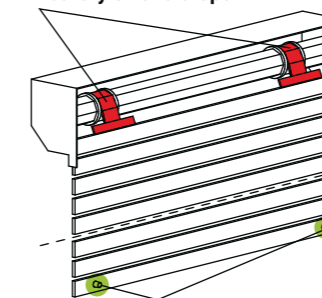
Certifications are available on the cherubini-group.com website

6/17

6
17
110
230/50
433,92
0,50
lg. 2,6
4
IP44
15
1,7 (including the control unit)
343

Accessories A and B are required for operation

A safety or end stops



Installation is very easy: once the motor is installed into the tube it adjusts itself automatically.

B visible or hidden stoppers



Skipper Senso

One-channel remote control with integrated light and temperature sensors. It enables the desired light and temperature levels to be maintained, in summer and winter.

Cherubini Remote Controls

One-channel, multi-channel, wall-mounted remote controls.

Domotic Transmitter

It gives the possibility of integrating motors to the home automation system via radio.

METAHome Gateway

Enables control of Z-Wave devices and Cherubini CRC RX radio motors via smartphones and voice assistants.

COMPATIBLE SYSTEMS

For the complete range of compatible systems see "Compatibility Table" on page 122

Insta Short ZRX Ø45



integrated dual radio in the most compact Plug&Play

Electronic limit switch with Z-Wave and CRC RX integrated radio, plus wire control

This motor is recommended as drive system for interior and exterior "monobloc" shutters. SmartStart for inclusion in Z-Wave ecosystems.

Easy to install

Insert the motor into the tube, connect it to the power supply and it's ready.

Total information return

The motor keeps its status aligned for any type of command received: via cable through push button or switch, via CRC RX radio through remote control, via Z-Wave network, via voice assistant, tablet or smartphone.

Optional connections

Wired switch.

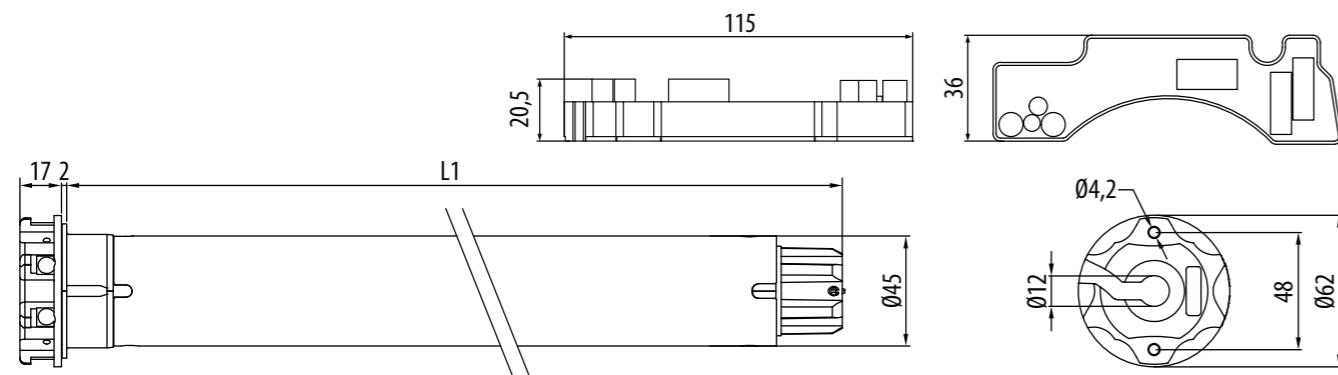
Efficiency

Thanks to the dual-radio, the motor offers the same advantages and ease of programming as the Cherubini range, plus seamless integration into Z-Wave home building automation systems.

Specific functions

- Automatic adjustment of the limit switches.
- Protection against freezing and obstacle detection on both directions with drive inversion.
- Possibility of memorising an intermediate position; it can be activated by remote control.

MOTOR WITH BUILT-IN RECEIVER



Insta Short ZRX Ø45

MAIN CHARACTERISTICS

TECHNICAL FEATURES

Motor torque (Nm)	6
Speed (rpm)	17
Power (W)	110
Power supply (V/Hz)	230/50
Radio frequency (MHz)	433,92
Consumption (A)	0,50
Cable 4 x 0,75 (m)	lg. 2,6
Operating time (min)	4
Protection degree	IP44
Receiver storage capacity (No. Remote controls)	15
Weight (kg)	1,7 (including the control unit)
L1 (mm)	343

MECHANICAL BLOCKS

COMPATIBLE SYSTEMS

For the complete range of compatible systems see "Compatibility Table" on page 122

APPLICATION



TECHNOLOGY



Code	Head	Torque	Speed
CZX45061700	Plastic material	6 Nm	17 rpm

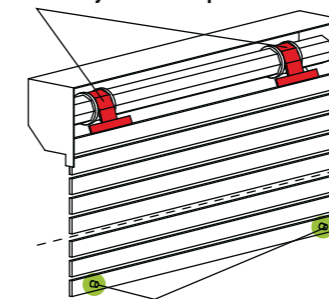
Certifications are available on the cherubini-group.com website

6/17

6
17
110
230/50
433,92
0,50
lg. 2,6
4
IP44
15
1,7 (including the control unit)
343

Accessories A and B are required for operation

A safety or end stops



Installation is very easy: once the motor is installed into the tube it adjusts itself automatically.

B visible or hidden stoppers



Skipper Senso

One-channel remote control with integrated light and temperature sensors. It enables the desired light and temperature levels to be maintained, in summer and winter.

Cherubini Remote Controls

One-channel, multi-channel, wall-mounted remote controls.

METAHome Gateway

Enables control of Z-Wave devices and Cherubini CRC RX radio motors via smartphones and voice assistants.

Wave Wire Ø45

the plug&play for awnings



Electronic limit switch, wire control and encoder

EASY TO INSTALL, EASY TO PROGRAM!

Adjustment of the limit switches through control panel

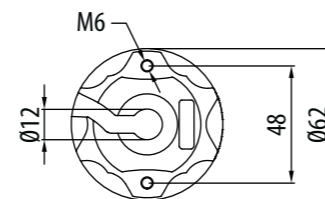
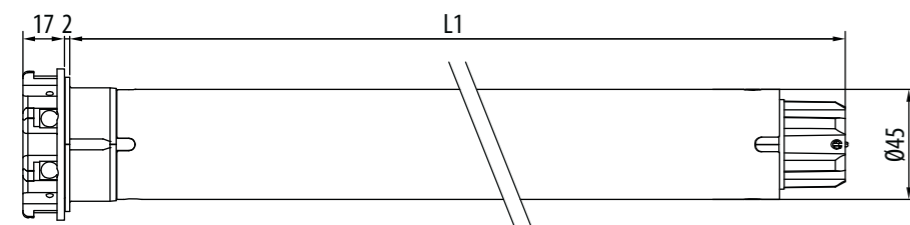
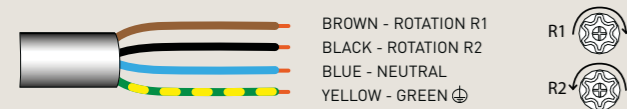
No need to access the motor head.

DEDICATED BUTTON PANEL NOT REQUIRED!

Specific functions

- "Super-sensitivity" function on obstacle detection (downwards), setting on 3 levels possible (only for 15 Nm).
- With cassette awnings, the motor allows the automatic setting of the closing limit switch (from 32 Nm).
- For other types of awnings it's possible to set both limit switches manually, through simple sequences on the control panel.
- May be connected either directly or in parallel.

MOTOR WITH WIRE CONTROL



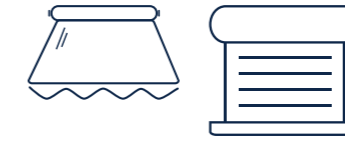
Wave Wire Ø45

MAIN CHARACTERISTICS

TECHNICAL FEATURES

Motor torque (Nm)	
Speed (rpm)	
Power (W)	
Power supply (V/Hz)	
Consumption (A)	
Cable 4 x 0,75 (m)	
Operating time (min)	
Protection degree	
Weight (kg)	
L1 (mm)	

APPLICATION



Code	Head	Torque	Speed
CEW45151700	Zama	15 Nm	17 rpm
CEW45321700	Zama	32 Nm	17 rpm
CEW45401700	Zama	40 Nm	17 rpm
CEW45501200	Zama	50 Nm	12 rpm

Certifications are available on the cherubini-group.com website

15/17	32/17	40/17	50/12
15	32	40	50
17	17	17	12
170	250	275	275
230/50	230/50	230/50	230/50
0,80	1,10	1,25	1,25
lg. 3	lg. 3	lg. 3	lg. 3
4	4	4	4
IP44	IP44	IP44	IP44
3,0	3,4	3,4	3,4
503	543	543	543

COMPATIBLE SYSTEMS

For the complete range of compatible systems see "Compatibility Table" on page 122



Cherubini Remote Controls

One-channel, multi-channel, wall-mounted remote controls.



TDS Gold radio receiver

These receivers make it possible to activate mechanical motors automatically.



Climatic controls WindTec WindTec SC

Radio Wind- & Sun sensor (wireless via radio receiver) and Wind sensor (wired).

Senso Wire Ø45

ideal for screens and mosquito nets



Electronic limit switch, wire control and encoder

EASY TO INSTALL, EASY TO PROGRAM!

Adjustment of the limit switches through control panel

No need to access the motor head.

DEDICATED BUTTON PANEL NOT REQUIRED!

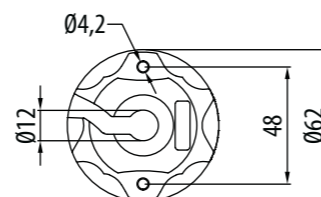
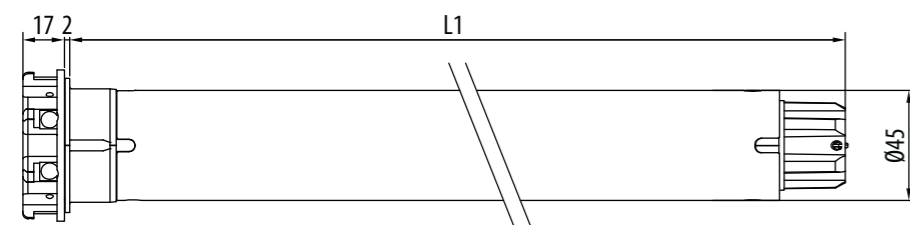
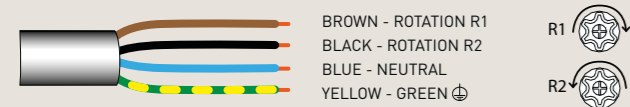
Specific functions

- "Super-sensitivity" function on obstacle detection (downwards), setting on 3 levels possible.

- May be connected either directly or in parallel.



MOTOR WITH WIRE CONTROL



Senso Wire Ø45

MAIN CHARACTERISTICS

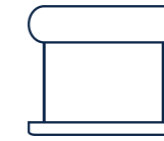
TECHNICAL FEATURES

Motor torque (Nm)	10	15	25	7	15
Speed (rpm)	17	17	17	30	30
Power (W)	135	170	225	170	225
Power supply (V/Hz)	230/50	230/50	230/50	230/50	230/50
Consumption (A)	0,60	0,80	1,00	0,80	1,00
Cable 4 x 0,75 (m)	lg. 3	lg. 3	lg. 3	lg. 3	lg. 3
Operating time (min)	4	4	4	4	4
Protection degree	IP44	IP44	IP44	IP44	IP44
Weight (kg)	2,4	2,5	3,2	2,5	3,2
L1 (mm)	488	503	543	503	543

COMPATIBLE SYSTEMS

For the complete range of compatible systems see "Compatibility Table" on page 122

APPLICATION



TECHNOLOGY



Code	Head	Torque	Speed
CEG45101700	Plastic material	10 Nm	17 rpm
CEG45151700	Plastic material	15 Nm	17 rpm
CEG45251700	Plastic material	25 Nm	17 rpm
CEG45073000	Plastic material	7 Nm	30 rpm
CEG45153000	Plastic material	15 Nm	30 rpm

Certifications are available on the cherubini-group.com website

10/17	15/17	25/17	7/30	15/30
10	15	25	7	15
17	17	17	30	30
135	170	225	170	225
230/50	230/50	230/50	230/50	230/50
0,60	0,80	1,00	0,80	1,00
lg. 3	lg. 3	lg. 3	lg. 3	lg. 3
4	4	4	4	4
IP44	IP44	IP44	IP44	IP44
2,4	2,5	3,2	2,5	3,2
488	503	543	503	543



Cherubini Remote Controls

One-channel, multi-channel, wall-mounted remote controls.



TDS Gold radio receiver

These receivers make it possible to activate mechanical motors automatically.



Climatic controls WindTec WindTec SC

Radio Wind- & Sun sensor (wireless via radio receiver) and Wind sensor (wired).

Modo RX Ø45

the solution for every type of rolling shutter



Electronic limit switch with built-in receiver, wire and radio control

Simple and intuitive adjustment of the limit switch from the remote control.

The encoder technology makes it possible to keep the position set with optimum precision and reliability.

Safety and simplicity

High-safety coding system "Rolling Code".

Easy programming and operation: the motor confirms all the steps by means of small rotations.

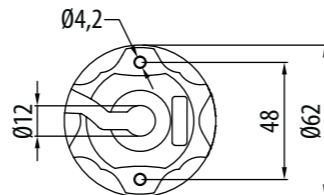
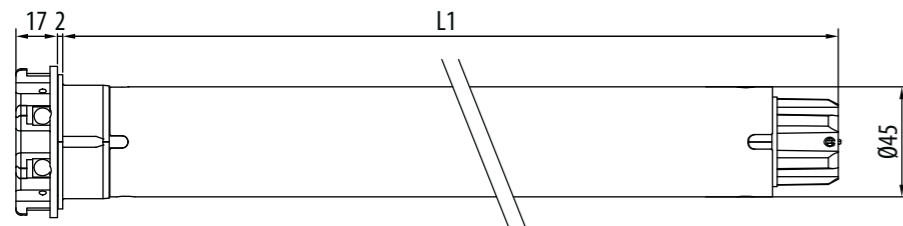
Specific functions

- Protection against freezing and obstacle detection on both directions, sensitivity setting on 3 levels possible.
- Possibility of memorizing an intermediate position.

Optional connections

Wired switch.

MOTOR WITH BUILT-IN RECEIVER



Modo RX Ø45

MAIN CHARACTERISTICS

TECHNICAL FEATURES

Motor torque (Nm)	
Speed (rpm)	
Power (W)	
Power supply (V/Hz)	
Radio frequency (MHz)	
Consumption (A)	
Cable 4 x 0,75 (m)	
Operating time (min)	
Protection degree	
Receiver storage capacity (No. Remote controls)	
Weight (kg)	
L1 (mm)	

APPLICATION



TECHNOLOGY



Code	Head	Torque	Speed
CE045101705	Plastic material	10 Nm	17 rpm
CE045201705	Plastic material	20 Nm	17 rpm
CE045301705	Plastic material	30 Nm	17 rpm
CE045401705	Plastic material	40 Nm	17 rpm
CE045501205	Plastic material	50 Nm	12 rpm

Certifications are available on the cherubini-group.com website

	10/17	20/17	30/17	40/17	50/12
Motor torque (Nm)	10	20	30	40	50
Speed (rpm)	17	17	17	17	12
Power (W)	135	195	250	275	275
Power supply (V/Hz)	230/50	230/50	230/50	230/50	230/50
Radio frequency (MHz)	433,92	433,92	433,92	433,92	433,92
Consumption (A)	0,60	0,85	1,10	1,25	1,25
Cable 4 x 0,75 (m)	lg. 2,5	lg. 2,5	lg. 2,5	lg. 2,5	lg. 2,5
Operating time (min)	4	4	4	4	4
Protection degree	IP44	IP44	IP44	IP44	IP44
Receiver storage capacity (No. Remote controls)	15	15	15	15	15
Weight (kg)	2,3	2,3	3,2	3,2	3,2
L1 (mm)	546	546	586	586	586

COMPATIBLE SYSTEMS

For the complete range of compatible systems see "Compatibility Table" on page 122



Skipper Senso

One-channel remote control with integrated light and temperature sensors. It enables the desired light and temperature levels to be maintained, in summer and winter.



Cherubini Remote Controls

One-channel, multi-channel, wall-mounted remote controls.



METAHome Gateway

Enables control of Z-Wave devices and Cherubini CRC RX radio motors via smartphones and voice assistants.

Tronic RX Ø45

safety and comfort



Electronic limit switch with built-in receiver, wire and radio control

Simple and intuitive adjustment of the limit switch from the remote control.

The encoder technology makes it possible to keep the position set with optimum precision and reliability.

Safety and simplicity

High-safety coding system "Rolling Code".

Easy programming and operation: the motor confirms all the steps by means of small rotations.

Specific functions

- Manual and semi-automatic adjustment of the limit switches.
- Setting possible with remote control or wired switch.
- Protection against freezing and obstacle detection on both directions, sensitivity setting on 3 levels possible.
- Possibility of memorizing an intermediate position.

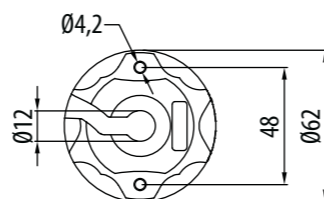
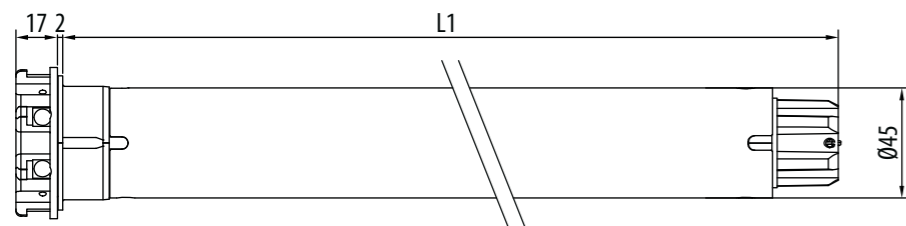
Optional connections

Wired switch.

MOTOR WITH BUILT-IN RECEIVER



BROWN - PHASE
WHITE - WIRED SWITCH
BLUE - NEUTRAL
YELLOW - GREEN ⊕



Tronic RX Ø45

MAIN CHARACTERISTICS

TECHNICAL FEATURES

Motor torque (Nm)	
Speed (rpm)	
Power (W)	
Power supply (V/Hz)	
Radio frequency (MHz)	
Consumption (A)	
Cable 4 x 0,75 (m)	
Operating time (min)	
Protection degree	
Receiver storage capacity (No. Remote controls)	
Weight (kg)	
L1 (mm)	

APPLICATION



TECHNOLOGY



Code	Head	Torque	Speed
CER45061700	Plastic material	6 Nm	17 rpm
CER45101700	Plastic material	10 Nm	17 rpm
CER45151700	Plastic material	15 Nm	17 rpm
CER45251700	Plastic material	25 Nm	17 rpm
CER45321700	Plastic material	32 Nm	17 rpm
CER45401700	Plastic material	40 Nm	17 rpm
CER45501200	Plastic material	50 Nm	12 rpm

Certifications are available on the cherubini-group.com website

6/17	10/17	15/17	25/17	32/17	40/17	50/12
6	10	15	25	32	40	50
17	17	17	17	17	17	12
110	135	170	225	250	275	275
230/50	230/50	230/50	230/50	230/50	230/50	230/50
433,92	433,92	433,92	433,92	433,92	433,92	433,92
0,50	0,60	0,80	1,00	1,10	1,25	1,25
lg. 3	lg. 3	lg. 3	lg. 3	lg. 3	lg. 3	lg. 3
4	4	4	4	4	4	4
IP44	IP44	IP44	IP44	IP44	IP44	IP44
15	15	15	15	15	15	15
2,3	2,4	2,5	3,2	3,2	3,2	3,2
473	488	503	543	543	543	543

COMPATIBLE SYSTEMS

For the complete range of compatible systems see "Compatibility Table" on page 122



Skipper Senso

One-channel remote control with integrated light and temperature sensors. It enables the desired light and temperature levels to be maintained, in summer and winter.

Cherubini Remote Controls

One-channel, multi-channel, wall-mounted remote controls.

Domotic Transmitter

It gives the possibility of integrating motors to the home automation system via radio.

METAHome Gateway

Enables control of Z-Wave devices and Cherubini CRC RX radio motors via smartphones and voice assistants.

Open ZRX Ø45

dual-radio, multiple benefits



Electronic limit switch with integrated dual-radio Cherubini CRC RX and Z-Wave

The motor can be controlled by voice assistants (Google Home and Amazon Alexa) and CRC RX radio remote controls, switches, and online applications associated with the gateway.

Total information return

The motor keeps its status aligned for any type of command received: via cable through push button or switch, via CRC RX radio through remote control, via Z-Wave network, via voice assistant, tablet or smartphone.

Efficiency

Thanks to the dual-radio, the motor offers the same advantages and ease of programming as the Cherubini range, plus seamless integration into Z-Wave home building automation systems.

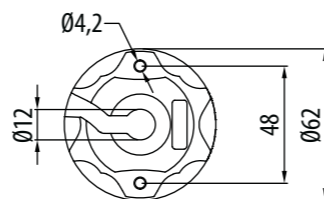
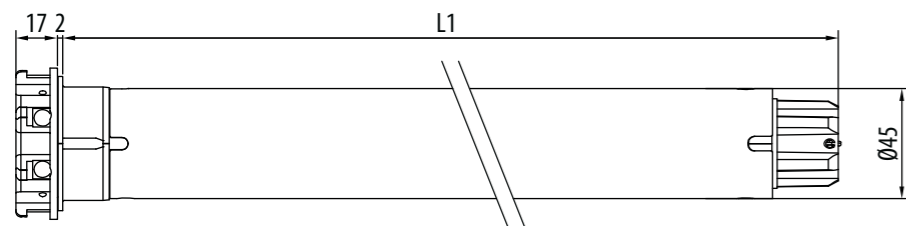
Specific functions

- Manual and semi-automatic adjustment of the limit switches.
- Protection against freezing and obstacle detection on both directions, sensitivity setting on 3 levels possible.
- Possibility of memorizing an intermediate position.
- Setting possible with remote control or wired switch.

Optional connections

Wired switch.

MOTOR WITH BUILT-IN RECEIVER



Open ZRX Ø45

MAIN CHARACTERISTICS

TECHNICAL FEATURES

Motor torque (Nm)	
Speed (rpm)	
Power (W)	
Power supply (V/Hz)	
Radio frequency (MHz)	
Consumption (A)	
Cable 4 x 0,75 (m)	
Operating time (min)	
Protection degree	
Receiver storage capacity (No. Remote controls)	
Weight (kg)	
L1 (mm)	

APPLICATION



TECHNOLOGY



Code	Head	Torque	Speed
CZR45061700	Plastic material	6 Nm	17 rpm
CZR45101700	Plastic material	10 Nm	17 rpm
CZR45151700	Plastic material	15 Nm	17 rpm
CZR45251700	Plastic material	25 Nm	17 rpm
CZR45321700	Plastic material	32 Nm	17 rpm
CZR45401700	Plastic material	40 Nm	17 rpm
CZR45501200	Plastic material	50 Nm	12 rpm

Certifications are available on the cherubini-group.com website

6/17	10/17	15/17	25/17	32/17	40/17	50/12
6	10	15	25	32	40	50
17	17	17	17	17	17	12
110	135	170	225	250	275	275
230/50	230/50	230/50	230/50	230/50	230/50	230/50
433,92	433,92	433,92	433,92	433,92	433,92	433,92
0,50	0,60	0,80	1,00	1,10	1,25	1,25
lg. 3	lg. 3	lg. 3	lg. 3	lg. 3	lg. 3	lg. 3
4	4	4	4	4	4	4
IP44	IP44	IP44	IP44	IP44	IP44	IP44
15	15	15	15	15	15	15
2,3	2,4	2,5	3,2	3,2	3,2	3,2
473	488	503	543	543	543	543

COMPATIBLE SYSTEMS

For the complete range of compatible systems see "Compatibility Table" on page 122



Cherubini Remote Controls

One-channel, multi-channel, wall-mounted remote controls.



METAHome Gateway

Enables control of Z-Wave devices and Cherubini CRC RX radio motors via smartphones and voice assistants.



Domotic Transmitter

It gives the possibility of integrating motors to the home automation system via radio.

Clima Plus RX Ø45

for all types of adjustable shutters - both for drop types
and for coupling types



Electronic limit switch with built-in receiver, wire and radio control

Setting possible with remote control or wired switch.
Compatible with most home automation systems on the market.

Tilting setting

The 5 programmable tilting options are designed to control all types of shutters with adjustable slats on the market - both drop system and coupling system types.

Specific functions

- Manual and semi-automatic adjustment of the limit switches.
- Protection against freezing and obstacle detection on both directions, sensitivity setting on 3 levels possible.
- Possibility of memorizing an intermediate position.

Optional connections

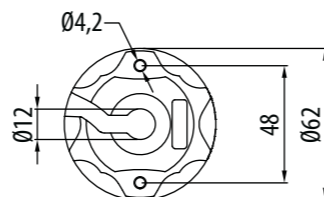
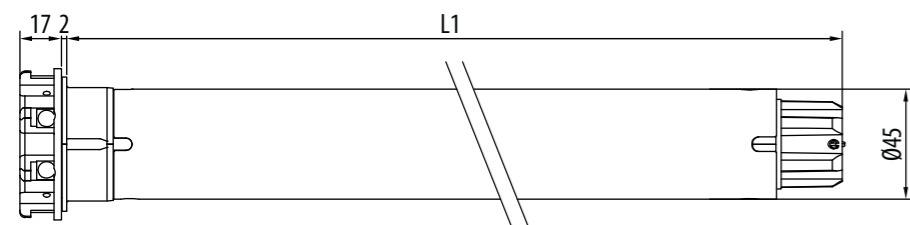
Wired switch.



MOTOR WITH BUILT-IN RECEIVER



BROWN - PHASE
WHITE - WIRED SWITCH
BLUE - NEUTRAL
YELLOW - GREEN ⊕



Clima Plus RX Ø45

MAIN CHARACTERISTICS

TECHNICAL FEATURES

Motor torque (Nm)	
Speed (rpm)	
Power (W)	
Power supply (V/Hz)	
Radio frequency (MHz)	
Consumption (A)	
Cable 4 x 0,75 (m)	
Operating time (min)	
Protection degree	
Receiver storage capacity (No. Remote controls)	
Weight (kg)	
L1 (mm)	

APPLICATION



TECHNOLOGY



Code	Head	Torque	Speed
CED45101200	Plastic material	10 Nm	12 rpm
CED45151200	Plastic material	15 Nm	12 rpm
CED45251200	Plastic material	25 Nm	12 rpm
CED45321200	Plastic material	32 Nm	12 rpm
CED45401200	Plastic material	40 Nm	12 rpm
CED45501200	Plastic material	50 Nm	12 rpm

Certifications are available on the cherubini-group.com website

10/12	15/12	25/12	32/12	40/12	50/12
10	15	25	32	40	50
12	12	12	12	12	12
135	170	225	250	250	275
230/50	230/50	230/50	230/50	230/50	230/50
433,92	433,92	433,92	433,92	433,92	433,92
0,60	0,80	1,00	1,10	1,10	1,25
lg. 3	lg. 3	lg. 3	lg. 3	lg. 3	lg. 3
4	4	4	4	4	4
IP44	IP44	IP44	IP44	IP44	IP44
15	15	15	15	15	15
2,4	2,5	3,2	3,2	3,2	3,2
488	503	543	543	543	543

COMPATIBLE SYSTEMS

For the complete range of compatible systems see "Compatibility Table" on page 122



Cherubini Remote Controls

One-channel, multi-channel, wall-mounted remote controls.



Domotic Transmitter

It gives the possibility of integrating motors to the home automation system via radio.



METAHome Gateway

Enables control of Z-Wave devices and Cherubini CRC RX radio motors via smartphones and voice assistants.

Dimio ZRX Ø45



the advantages of dual radio for every type of adjustable shutter

Electronic limit switch with integrated dual-radio Cherubini CRC RX and Z-Wave

The motor can be controlled by voice assistants (Google Home and Amazon Alexa) and CRC RX radio remote controls, switches, and online applications associated with the gateway.

Tilting setting

The 5 programmable tilting options are designed to control all types of shutters with adjustable slats on the market - both drop system and coupling system types.

Total information return

The motor keeps its status aligned for any type of command received: via cable through push button or switch, via CRC RX radio through remote control, via Z-Wave network, via voice assistant, tablet or smartphone.

Efficiency

Thanks to the dual-radio, the motor offers the same advantages and ease of programming as the Cherubini range, plus seamless integration into Z-Wave home building automation systems.

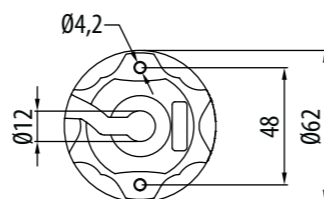
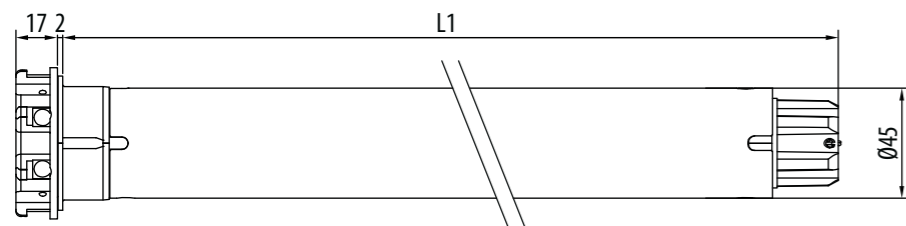
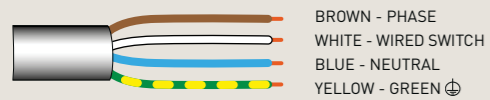
Specific functions

- Manual and semi-automatic adjustment of the limit switches.
- Protection against freezing and obstacle detection on both directions, sensitivity setting on 3 levels possible.
- Possibility of memorizing an intermediate position.

Optional connections

Wired switch.

MOTOR WITH BUILT-IN RECEIVER



Dimio ZRX Ø45

MAIN CHARACTERISTICS

TECHNICAL FEATURES

Motor torque (Nm)	
Speed (rpm)	
Power (W)	
Power supply (V/Hz)	
Radio frequency (MHz)	
Consumption (A)	
Cable 4 x 0,75 (m)	
Operating time (min)	
Protection degree	
Receiver storage capacity (No. Remote controls)	
Weight (kg)	
L1 (mm)	

APPLICATION



TECHNOLOGY



Code	Head	Torque	Speed
CZD45101200	Plastic material	10 Nm	12 rpm
CZD45151200	Plastic material	15 Nm	12 rpm
CZD45251200	Plastic material	25 Nm	12 rpm
CZD45321200	Plastic material	32 Nm	12 rpm
CZD45401200	Plastic material	40 Nm	12 rpm
CZD45501200	Plastic material	50 Nm	12 rpm

Certifications are available on the cherubini-group.com website

10/12	15/12	25/12	32/12	40/12	50/12
10	15	25	32	40	50
12	12	12	12	12	12
135	170	225	250	250	275
230/50	230/50	230/50	230/50	230/50	230/50
433,92	433,92	433,92	433,92	433,92	433,92
0,60	0,80	1,00	1,10	1,10	1,25
lg. 3	lg. 3	lg. 3	lg. 3	lg. 3	lg. 3
4	4	4	4	4	4
IP44	IP44	IP44	IP44	IP44	IP44
15	15	15	15	15	15
2,4	2,5	3,2	3,2	3,2	3,2
488	503	543	543	543	543

COMPATIBLE SYSTEMS

For the complete range of compatible systems see "Compatibility Table" on page 122



Cherubini Remote Controls

One-channel, multi-channel, wall-mounted remote controls.



Domotic Transmitter

It gives the possibility of integrating motors to the home automation system via radio.



METAHome Gateway

Enables control of Z-Wave devices and Cherubini CRC RX radio motors via smartphones and voice assistants.

Wave RX Ø45

the motor for all awning types



Electronic limit switch with built-in receiver, wire and radio control

Attachment without brackets

Thanks to the metallic head, the motor can be fastened directly to the bracket.

Adjustment of the closing force

The possibility to adjust the applied force ensures the perfect closing of the cassette awnings and avoids the danger of over-stretching the awning fabric.

Specific functions

- "Super-sensitivity" function on obstacle detection (downwards), set by remote control, setting on 3 levels possible (only for 10-15-25 Nm).
- Obstacle detection upwards, sensitivity setting on 3 levels possible.
- Torque control for the stop in closing position of cassette awnings.
- Possibility of memorizing an intermediate position.
- Setting possible with remote control or wired switch.

Optional connections

Wired switch.
Connection to WindTec, Mistral and Rugiada climatic controls via radio.

MOTOR WITH BUILT-IN RECEIVER



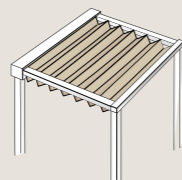
BROWN - PHASE
WHITE - WIRED SWITCH
BLUE - NEUTRAL
YELLOW - GREEN ⊕



FUNCTIONS FOR PERGOLAS AND VERANDAS

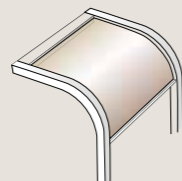
Pitched pergolas

On pitched pergolas the motor stops automatically when the fabric reaches its point of greatest extension: performing a remote control sequence is sufficient to program the limit switches. From that moment onwards each time the motor reaches the opening limit switch position, it stops so that it keeps the awning fabric taut.



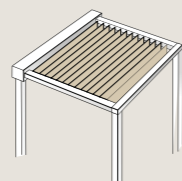
Pergolas and horizontal awnings

For pergolas and horizontal awnings it is possible to activate the Fabric Tightening function: the motor, after reaching the outer limit, automatically performs a short backwards turn to tighten the fabric.



Wave RX Ø45 4 rpm: the ideal for tilt slats pergolas

The "slow" version (4 rpm) was designed to automate tilt slats pergolas. The high-resolution electronic control of the revolutions enables fine tuning of the slats' angular position ensuring precise light management. The electronic limit switch managed by the remote control makes the motor extremely flexible and adaptable to every situation.



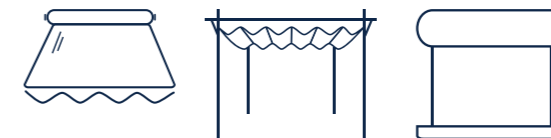
Wave RX Ø45

MAIN CHARACTERISTICS

TECHNICAL FEATURES

Motor torque (Nm)	
Speed (rpm)	
Power (W)	
Power supply (V/Hz)	
Radio frequency (MHz)	
Consumption (A)	
Cable 4 x 0,75 (m)	
Operating time (min)	
Protection degree	
Receiver storage capacity (No. Remote controls)	
Weight (kg)	
L1 (mm)	

APPLICATION



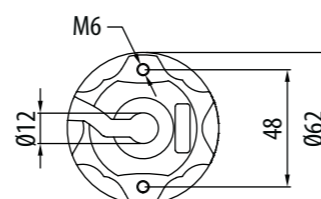
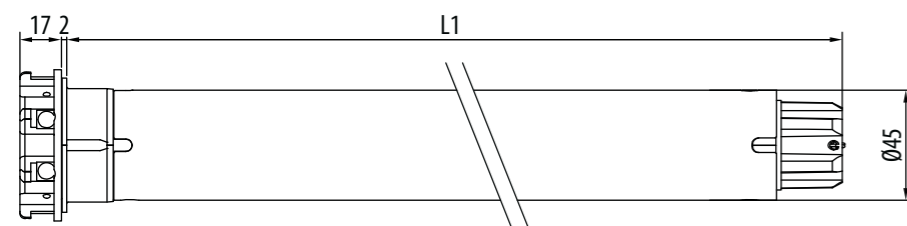
TECHNOLOGY



Code	Head	Torque	Speed
CET45101700	Zama	10 Nm	17 rpm
CET45151700	Zama	15 Nm	17 rpm
CET45251700	Zama	25 Nm	17 rpm
CET45321700	Zama	32 Nm	17 rpm
CET45401700	Zama	40 Nm	17 rpm
CET45501200	Zama	50 Nm	12 rpm
CET45400400	Zama	40 Nm	4 rpm

Certifications are available on the cherubini-group.com website

10/17	15/17	25/17	32/17	40/17	50/12	40/4
10	15	25	32	40	50	40
17	17	17	17	17	12	4
135	170	225	250	275	275	215
230/50	230/50	230/50	230/50	230/50	230/50	230/50
433,92	433,92	433,92	433,92	433,92	433,92	433,92
0,60	0,80	1,00	1,10	1,25	1,25	0,90
lg. 5	lg. 5	lg. 5	lg. 5	lg. 5	lg. 5	lg. 5
4	4	4	4	4	4	4
IP44	IP44	IP44	IP44	IP44	IP44	IP44
15	15	15	15	15	15	15
3,0	3,1	3,6	3,6	3,6	3,6	3,4
488	503	543	543	543	543	525



COMPATIBLE SYSTEMS

For the complete range of compatible systems see "Compatibility Table" on page 122



Cherubini Remote Controls

One-channel, multi-channel, wall-mounted remote controls.



Rugiada TX Radio Rain-sensor

Rain-sensor wireless set on Cherubini Domotic transmitter.



Climatic controls WindTec and Mistral

Wind-sensor, Wind- & Sun-sensor and wireless vibrating Wind-sensor.

Ora ZRX Ø45



dual-radio motor for awnings and pergolas

Electronic limit switch with integrated dual-radio Cherubini CRC RX and Z-Wave

The motor can be controlled by voice assistants (Google Home and Amazon Alexa) and CRC RX radio remote controls, switches, and online applications associated with the gateway.

Total information return

The motor keeps its status aligned for any type of command received: via cable through push button or switch, via CRC RX radio through remote control, via Z-Wave network, via voice assistant, tablet or smartphone.

Efficiency

Thanks to the dual-radio, the motor offers the same advantages and ease of programming as the Cherubini range, plus seamless integration into Z-Wave home building automation systems.

Specific functions

- "Super-sensitivity" function on obstacle detection (downwards), set by remote control, setting on 3 levels possible (only for 10-15-25 Nm).
- Obstacle detection upwards, sensitivity setting on 3 levels possible.
- Torque control for the stop in closing position of cassette awnings.
- Possibility of memorizing an intermediate position.

Optional connections

Wired switch.

MOTOR WITH BUILT-IN RECEIVER



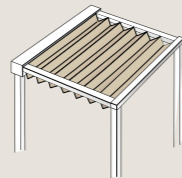
BROWN - PHASE
WHITE - WIRED SWITCH
BLUE - NEUTRAL
YELLOW - GREEN ⊕



FUNCTIONS FOR PERGOLAS AND VERANDAS

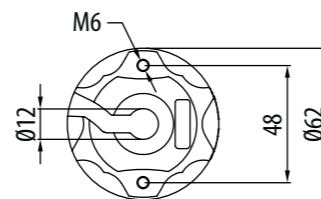
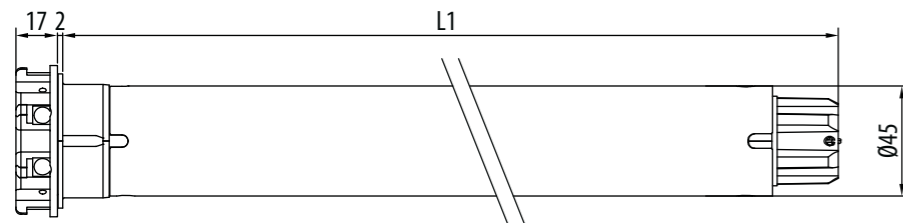
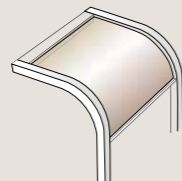
Pitched pergolas

On pitched pergolas the motor stops automatically when the fabric reaches its point of greatest extension: performing a remote control sequence is sufficient to program the limit switches. From that moment onwards each time the motor reaches the opening limit switch position, it stops so that it keeps the awning fabric taut.



Pergolas and horizontal awnings

For pergolas and horizontal awnings it is possible to activate the Fabric Tightening function: the motor, after reaching the outer limit, automatically performs a short backwards turn to tighten the fabric.



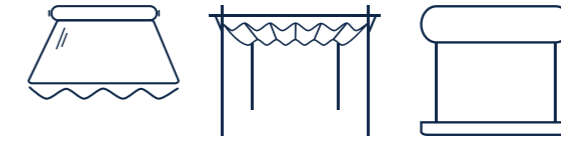
Ora ZRX Ø45

MAIN CHARACTERISTICS

TECHNICAL FEATURES

Motor torque (Nm)	
Speed (rpm)	
Power (W)	
Power supply (V/Hz)	
Radio frequency (MHz)	
Consumption (A)	
Cable 4 x 0,75 (m)	
Operating time (min)	
Protection degree	
Receiver storage capacity (No. Remote controls)	
Weight (kg)	
L1 (mm)	

APPLICATION



TECHNOLOGY



Code	Head	Torque	Speed
CZT45151700	Zama	15 Nm	17 rpm
CZT45251700	Zama	25 Nm	17 rpm
CZT45321700	Zama	32 Nm	17 rpm
CZT45401700	Zama	40 Nm	17 rpm
CZT45501200	Zama	50 Nm	12 rpm

Certifications are available on the cherubini-group.com website

15/17	25/17	32/17	40/17	50/12	
Motor torque (Nm)	15	25	32	40	50
Speed (rpm)	17	17	17	17	12
Power (W)	170	225	250	275	275
Power supply (V/Hz)	230/50	230/50	230/50	230/50	230/50
Radio frequency (MHz)	433,92	433,92	433,92	433,92	433,92
Consumption (A)	0,80	1,00	1,10	1,25	1,25
Cable 4 x 0,75 (m)	lg. 5	lg. 5	lg. 5	lg. 5	lg. 5
Operating time (min)	4	4	4	4	4
Protection degree	IP44	IP44	IP44	IP44	IP44
Receiver storage capacity (No. Remote controls)	15	15	15	15	15
Weight (kg)	3,1	3,6	3,6	3,6	3,6
L1 (mm)	503	543	543	543	543

COMPATIBLE SYSTEMS

For the complete range of compatible systems see "Compatibility Table" on page 122



Cherubini Remote Controls

One-channel, multi-channel, wall-mounted remote controls.



METAHome Gateway

Enables control of Z-Wave devices and Cherubini CRC RX radio motors via smartphones and voice assistants.



Climatic controls WindTec and Mistral

Wind-sensor, Wind- & Sun-sensor and wireless vibrating Wind-sensor.

Wave Lock RX Ø45

the motor for automatic coupling awnings



Electronic limit switch with built-in receiver, wire and radio control

Wave Lock RX was created to be adapted with great flexibility to all horizontal or vertical awnings equipped with automatic coupling.

Electronic programming of the coupling excursion and stretching force ensure consistent operation over time.

Attachment without brackets

Thanks to the metallic head, the motor can be fastened directly to the bracket.

Specific functions

- "Super-sensitivity" function on obstacle detection (downwards), set by remote control, setting on 3 levels possible (only for 15-25 Nm).
- Obstacle detection upwards, sensitivity setting on 3 levels possible.
- Automatic programmable awning coupling and uncoupling system.
- Possibility of memorising the automatic coupling and uncoupling of the awning even in the intermediate position.
- Torque control for the stop in closing position of cassette awnings.
- Setting possible with remote control or wired switch.

Optional connections

Wired switch.
Connection to WindTec, Mistral and Rugiada climatic controls via radio.

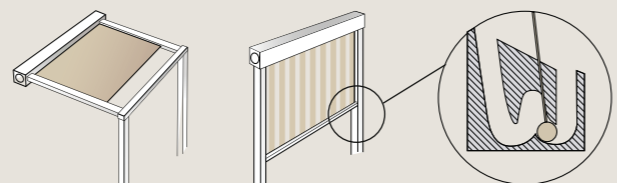
MOTOR WITH BUILT-IN RECEIVER



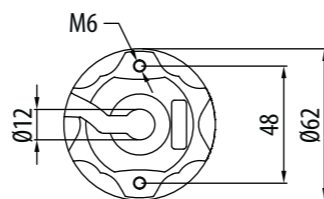
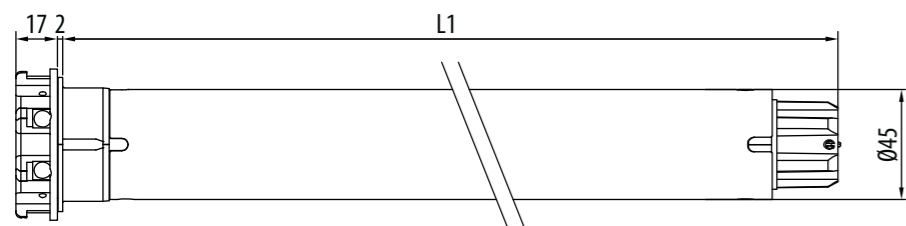
BROWN - PHASE
WHITE - WIRED SWITCH
BLUE - NEUTRAL
YELLOW - GREEN ⊕



AUTOMATIC COUPLING AWNINGS



COUPLING AND UNCOUPLING SYSTEM



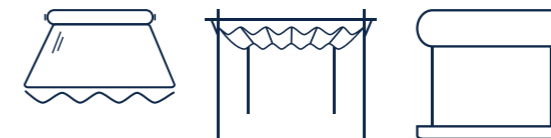
Wave Lock RX Ø45

MAIN CHARACTERISTICS

TECHNICAL FEATURES

Motor torque (Nm)	
Speed (rpm)	
Power (W)	
Power supply (V/Hz)	
Radio frequency (MHz)	
Consumption (A)	
Cable 4 x 0,75 (m)	
Operating time (min)	
Protection degree	
Receiver storage capacity (No. Remote controls)	
Weight (kg)	
L1 (mm)	

APPLICATION



TECHNOLOGY



Code	Head	Torque	Speed
CET45151725	Zama	15 Nm	17 rpm
CET45251725	Zama	25 Nm	17 rpm
CET45321725	Zama	32 Nm	17 rpm
CET45401725	Zama	40 Nm	17 rpm
CET45501225	Zama	50 Nm	12 rpm

Certifications are available on the cherubini-group.com website

15/17	25/17	32/17	40/17	50/12	
Motor torque (Nm)	15	25	32	40	50
Speed (rpm)	17	17	17	17	12
Power (W)	170	225	250	275	275
Power supply (V/Hz)	230/50	230/50	230/50	230/50	230/50
Radio frequency (MHz)	433,92	433,92	433,92	433,92	433,92
Consumption (A)	0,80	1,00	1,10	1,25	1,25
Cable 4 x 0,75 (m)	lg. 5	lg. 5	lg. 5	lg. 5	lg. 5
Operating time (min)	4	4	4	4	4
Protection degree	IP44	IP44	IP44	IP44	IP44
Receiver storage capacity (No. Remote controls)	15	15	15	15	15
Weight (kg)	3,1	3,6	3,6	3,6	3,6
L1 (mm)	503	543	543	543	543

COMPATIBLE SYSTEMS

For the complete range of compatible systems see "Compatibility Table" on page 122



Cherubini Remote Controls

One-channel, multi-channel, wall-mounted remote controls.



Rugiada TX Radio Rain-sensor

Rain-sensor wireless set on Cherubini Domotic transmitter.



Climatic controls WindTec and Mistral

Wind-sensor, Wind- & Sun-sensor and wireless vibrating Wind-sensor.

Senso RX Ø45

specific for screens and mosquito nets



Electronic limit switch with built-in receiver, wire and radio control

Safety and simplicity

Easy programming and operation: the motor confirms all the steps by means of small rotations.

Specific functions

- "Super-sensitivity" function on obstacle detection (downwards), set by remote control, setting on 3 levels possible.
- Obstacle detection upwards, sensitivity setting on 3 levels possible.
- Torque control for the stop in closing position of cassette awnings.
- Possibility of memorizing an intermediate position.
- Setting possible with remote control or wired switch.

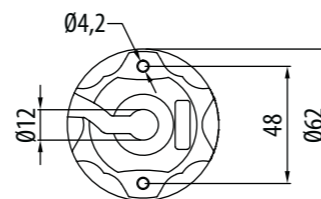
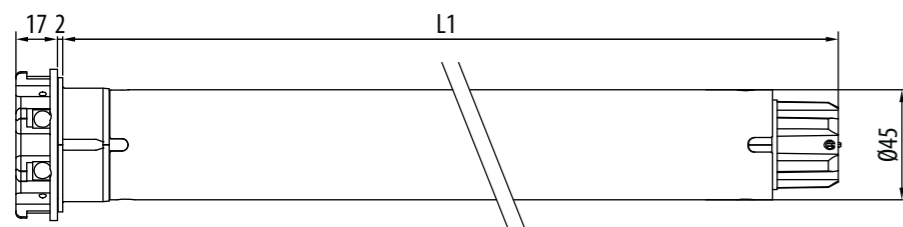
Optional connections

Wired switch.
Connection to WindTec and Rugiada climatic controls via radio.

MOTOR WITH BUILT-IN RECEIVER



BROWN - PHASE
WHITE - WIRED SWITCH
BLUE - NEUTRAL
YELLOW - GREEN ⊕



Senso RX Ø45

MAIN CHARACTERISTICS

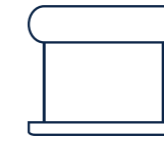
TECHNICAL FEATURES

Motor torque (Nm)	10	15	25	7	15
Speed (rpm)	17	17	17	30	30
Power (W)	135	170	225	170	225
Power supply (V/Hz)	230/50	230/50	230/50	230/50	230/50
Radio frequency (MHz)	433,92	433,92	433,92	433,92	433,92
Consumption (A)	0,60	0,80	1,00	0,80	1,00
Cable 4 x 0,75 (m)	lg. 5	lg. 5	lg. 5	lg. 5	lg. 5
Operating time (min)	4	4	4	4	4
Protection degree	IP44	IP44	IP44	IP44	IP44
Receiver storage capacity (No. Remote controls)	15	15	15	15	15
Weight (kg)	2,4	2,5	3,2	2,5	3,2
L1 (mm)	488	503	543	503	543

COMPATIBLE SYSTEMS

For the complete range of compatible systems see "Compatibility Table" on page 122

APPLICATION



TECHNOLOGY



Code	Head	Torque	Speed
CEA45101700	Plastic material	10 Nm	17 rpm
CEA45151700	Plastic material	15 Nm	17 rpm
CEA45251700	Plastic material	25 Nm	17 rpm
CEA45073000	Plastic material	7 Nm	30 rpm
CEA45153000	Plastic material	15 Nm	30 rpm

Certifications are available on the cherubini-group.com website

10/17	15/17	25/17	7/30	15/30
10	15	25	7	15
17	17	17	30	30
135	170	225	170	225
230/50	230/50	230/50	230/50	230/50
433,92	433,92	433,92	433,92	433,92
0,60	0,80	1,00	0,80	1,00
lg. 5	lg. 5	lg. 5	lg. 5	lg. 5
4	4	4	4	4
IP44	IP44	IP44	IP44	IP44
15	15	15	15	15
2,4	2,5	3,2	2,5	3,2
488	503	543	503	543



Cherubini Remote Controls

One-channel, multi-channel, wall-mounted remote controls.



Rugiada TX Radio Rain-sensor

Rain-sensor wireless set on Cherubini Domotic transmitter.



Climatic controls WindTec

Wind and sun/wind sensors with connection to the motor via radio (wireless).

Rebis ZRX Ø45

dual-radio motor for technical blinds and screens



Electronic limit switch with integrated dual-radio Cherubini CRC RX and Z-Wave

The motor can be controlled by voice assistants (Google Home and Amazon Alexa) and CRC RX radio remote controls, switches, and online applications associated with the gateway.

Total information return

The motor keeps its status aligned for any type of command received: via cable through push button or switch, via CRC RX radio through remote control, via Z-Wave network, via voice assistant, tablet or smartphone.

Efficiency

Thanks to the dual-radio, the motor offers the same advantages and ease of programming as the Cherubini range, plus seamless integration into Z-Wave home building automation systems.

Safety and simplicity

Easy programming and operation: the motor confirms all the steps by means of small rotations.

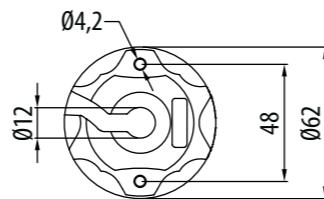
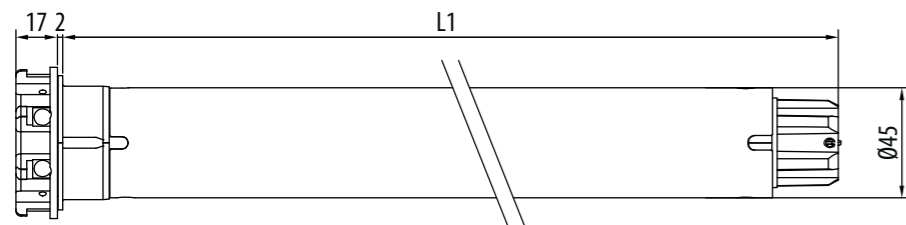
Specific functions

- Adjustment of the limit switches from the remote control.
- "Super-sensitivity" function on obstacle detection, set by remote control, setting on 3 levels possible, especially for screens and mosquito blinds.
- Torque control for the stop in closing position of cassette awnings.
- Possibility of memorizing an intermediate position.

Optional connections

Wired switch.

MOTOR WITH BUILT-IN RECEIVER



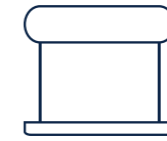
Rebis ZRX Ø45

MAIN CHARACTERISTICS

TECHNICAL FEATURES

Motor torque (Nm)	10	15	25
Speed (rpm)	17	17	17
Power (W)	135	170	225
Power supply (V/Hz)	230/50	230/50	230/50
Radio frequency (MHz)	433,92	433,92	433,92
Consumption (A)	0,60	0,80	1,00
Cable 4 x 0,75 (m)	lg. 5	lg. 5	lg. 5
Operating time (min)	4	4	4
Protection degree	IP44	IP44	IP44
Receiver storage capacity (No. Remote controls)	15	15	15
Weight (kg)	2,4	2,5	3,2
L1 (mm)	488	503	543

APPLICATION



TECHNOLOGY



Code	Head	Torque	Speed
CZA45101700	Plastic material	10 Nm	17 rpm
CZA45151700	Plastic material	15 Nm	17 rpm
CZA45251700	Plastic material	25 Nm	17 rpm

Certifications are available on the cherubini-group.com website

10/17	15/17	25/17	
Motor torque (Nm)	10	15	25
Speed (rpm)	17	17	17
Power (W)	135	170	225
Power supply (V/Hz)	230/50	230/50	230/50
Radio frequency (MHz)	433,92	433,92	433,92
Consumption (A)	0,60	0,80	1,00
Cable 4 x 0,75 (m)	lg. 5	lg. 5	lg. 5
Operating time (min)	4	4	4
Protection degree	IP44	IP44	IP44
Receiver storage capacity (No. Remote controls)	15	15	15
Weight (kg)	2,4	2,5	3,2
L1 (mm)	488	503	543

COMPATIBLE SYSTEMS

For the complete range of compatible systems see "Compatibility Table" on page 122



Cherubini Remote Controls

One-channel, multi-channel, wall-mounted remote controls.



METAHome Gateway

Enables control of Z-Wave devices and Cherubini CRC RX radio motors via smartphones and voice assistants.



Climatic controls WindTec and Mistral

Wind-sensor, Wind- & Sun-sensor and wireless vibrating Wind-sensor.

Doge RX Ø45

venetian blind system



Electronic limit switch with built-in receiver, wire and radio control

Simple and intuitive adjustment of the limit switch from the remote control.

The encoder technology makes it possible to keep the position set with optimum precision and reliability.

Safety and simplicity

High-safety coding system "Rolling Code".

Easy programming and operation: the motor confirms all the steps by means of small rotations.

Tilter dedicated

Specifically designed for the use of the motor with Venetian blinds, the tilter allows multiple adjustment possibilities thanks to the movable pegs, up to 180° with B100 blades.

Specific functions

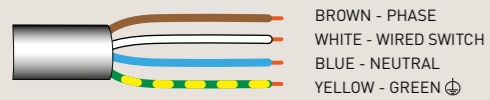
- Possibility of memorizing an intermediate position.
- Setting possible with remote control or wired switch.

Optional connections

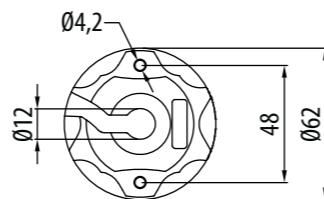
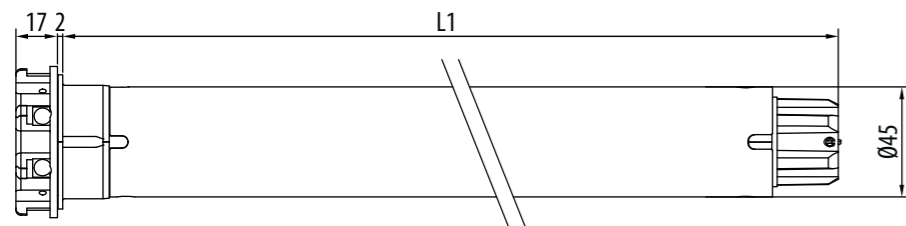
Wired switch.

Connection to the WindTec climatic controls via radio.

MOTOR WITH BUILT-IN RECEIVER



BROWN - PHASE
WHITE - WIRED SWITCH
BLUE - NEUTRAL
YELLOW - GREEN ⊕



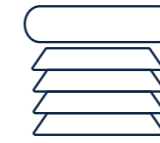
Doge RX Ø45

MAIN CHARACTERISTICS

TECHNICAL FEATURES

Motor torque (Nm)	6	15	25	40
Speed (rpm)	17	17	17	17
Power (W)	110	170	225	275
Power supply (V/Hz)	230/50	230/50	230/50	230/50
Radio frequency (MHz)	433,92	433,92	433,92	433,92
Consumption (A)	0,50	0,80	1,00	1,25
Cable 4 x 0,75 (m)	lg. 3	lg. 3	lg. 3	lg. 3
Operating time (min)	4	4	4	4
Protection degree	IP44	IP44	IP44	IP44
Receiver storage capacity (No. Remote controls)	15	15	15	15
Weight (kg)	2,20	2,47	2,90	2,90
L1 (mm)	503	532	572	572

APPLICATION



TECHNOLOGY



Code	Head	Torque	Speed
CEV45061700	Plastic material	6 Nm	17 rpm
CEV45151700	Plastic material	15 Nm	17 rpm
CEV45251700	Plastic material	25 Nm	17 rpm
CEV45401700	Plastic material	40 Nm	17 rpm

Certifications are available on the cherubini-group.com website

6/17	15/17	25/17	40/17	
Motor torque (Nm)	6	15	25	40
Speed (rpm)	17	17	17	17
Power (W)	110	170	225	275
Power supply (V/Hz)	230/50	230/50	230/50	230/50
Radio frequency (MHz)	433,92	433,92	433,92	433,92
Consumption (A)	0,50	0,80	1,00	1,25
Cable 4 x 0,75 (m)	lg. 3	lg. 3	lg. 3	lg. 3
Operating time (min)	4	4	4	4
Protection degree	IP44	IP44	IP44	IP44
Receiver storage capacity (No. Remote controls)	15	15	15	15
Weight (kg)	2,20	2,47	2,90	2,90
L1 (mm)	503	532	572	572

COMPATIBLE SYSTEMS

For the complete range of compatible systems see "Compatibility Table" on page 122

Tilter

Tilter Ø 60 equipped with movable pegs.

Cherubini Remote Controls

One-channel, multi-channel, wall-mounted remote controls.

METAHome Gateway

Enables control of Z-Wave devices and Cherubini CRC RX radio motors via smartphones and voice assistants.



Garda Ø58



Mechanical limit switch

Reliable and easy adjustment of the limit switches.

Strength and safety

The star-shaped metallic reducer pin makes the motor highly reliable.

Attachment without brackets

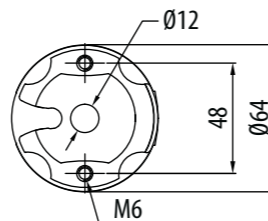
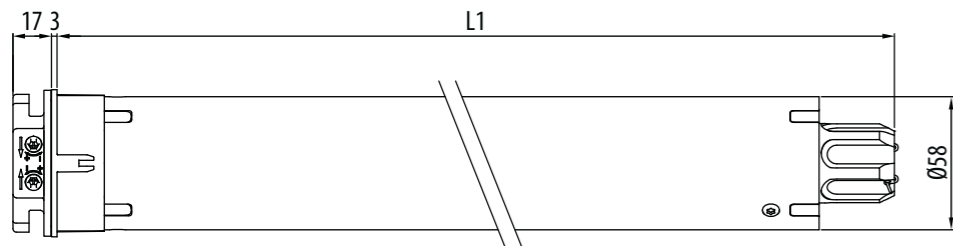
Thanks to the metallic head, the motor can be fastened directly to the bracket without needing additional supports.



MOTOR WITH WIRE CONTROL



BROWN - ROTATION R1
BLACK - ROTATION R2
BLUE - NEUTRAL
YELLOW - GREEN ⊕



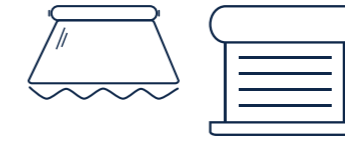
Garda Ø58

MAIN CHARACTERISTICS

TECHNICAL FEATURES

Motor torque (Nm)	
Speed (rpm)	
Mechanical limit switch*	
Power (W)	
Power supply (V/Hz)	
Consumption (A)	
Cable** 4 x 0,75 (m)	
Operating time (min)	
Protection degree	
Weight (kg)	
L1 (mm)	

APPLICATION



TECHNOLOGY



Code	Head	Torque	Speed
CME58061700	Zama	65 Nm	17 rpm
CME58081700	Zama	85 Nm	17 rpm
CME58101100	Zama	100 Nm	11 rpm
CME58121100	Zama	120 Nm	11 rpm
CME58027500	Zama	20 Nm	75 rpm
CME58043200	Zama	40 Nm	32 rpm

Certifications are available on the cherubini-group.com website

65/17	85/17	100/11	120/11	20/75	40/32
65	85	100	120	20	40
17	17	11	11	75	32
25	25	25	25	37	37
330	375	360	415	415	360
230/50	230/50	230/50	230/50	230/50	230/50
1,50	1,70	1,60	1,90	1,90	1,60
lg. 2,5	lg. 2,5	lg. 2,5	lg. 2,5	lg. 2,5	lg. 2,5
4	4	4	4	4	4
IP44	IP44	IP44	IP44	IP44	IP44
5,7	5,7	5,7	5,7	5,7	5,7
646	646	646	646	646	646

* Upon request, available with 37 turns before stop
** Possibility of cable with Hirschmann STAS 3.

COMPATIBLE SYSTEMS

For the complete range of compatible systems see "Compatibility Table" on page 122



Cherubini Remote Controls

One-channel, multi-channel, wall-mounted remote controls.

Radio receivers for awnings

These receivers make it possible to activate mechanical motors automatically.

Radio receivers for rolling shutters

Small radio receivers. Compatible with the Cherubini remote controls.

Climatic controls WindTec WindTec SC

Radio Wind- & Sun sensor (wireless via radio receiver) and Wind sensor (wired).

Ocean Ø58



Mechanical limit switch

Reliable and easy adjustment of the limit switches.
Double access to the adjusting screws.

Strength and safety

The star-shaped metallic reducer pin makes the motor highly reliable.

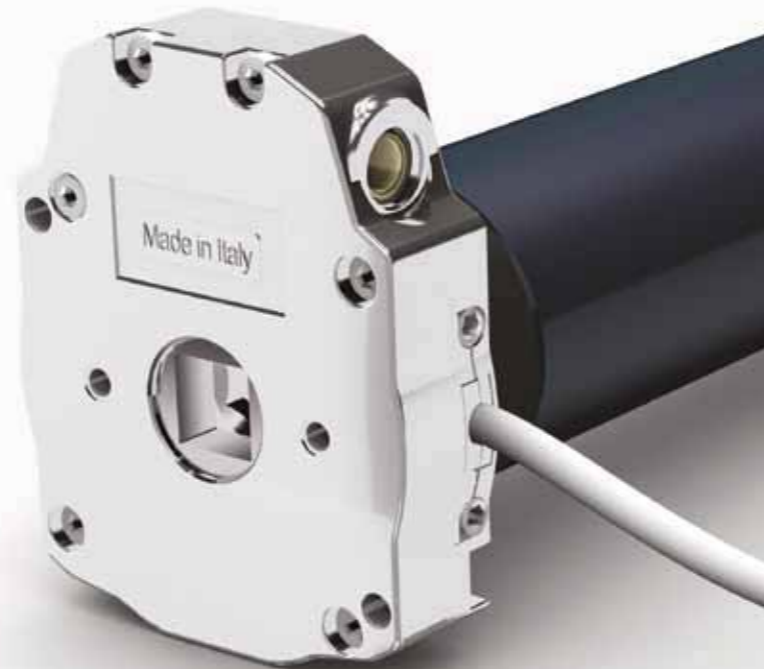
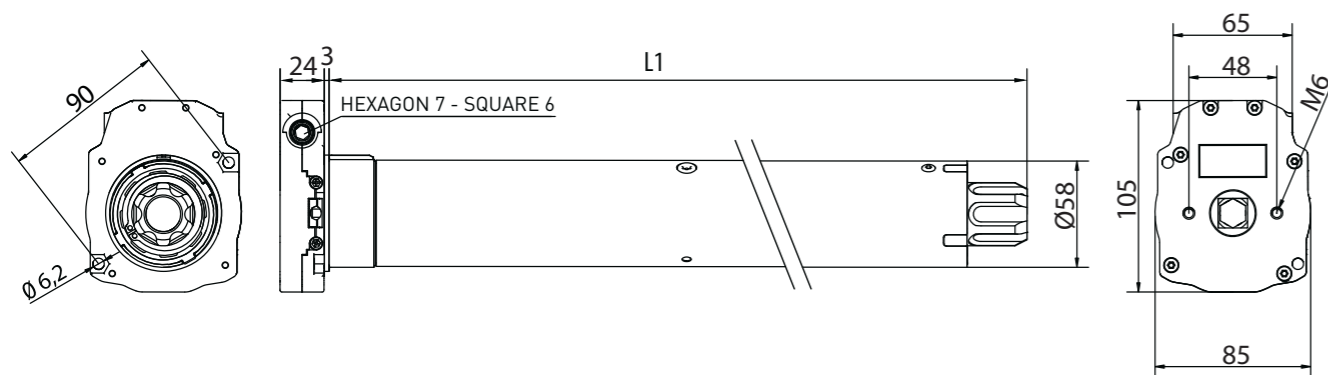
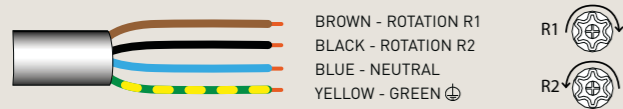
Attachment without brackets

Thanks to the metallic head, the motor can be fastened directly to the bracket without needing additional supports.

Compact override

Thanks to its small size, this device can be installed in limited spaces.
The reduction ratio is **1:55**.

MOTOR WITH WIRE CONTROL AND OVERRIDE



Ocean Ø58

MAIN CHARACTERISTICS

TECHNICAL FEATURES

Motor torque (Nm)	
Speed (rpm)	
Mechanical limit switch	
Power (W)	
Power supply (V/Hz)	
Consumption (A)	
Cable* 4 x 0,75 (m)	
Operating time (min)	
Protection degree	
Weight (kg)	
L1 (mm)	

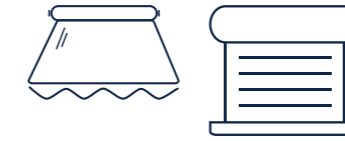
ACCESSORIES FOR MANUAL OPERATION

For a complete list see "Accessories for manual operation" on page 167

COMPATIBLE SYSTEMS

For the complete range of compatible systems see "Compatibility Table" on page 122

APPLICATION



TECHNOLOGY



Code	Head	Torque	Speed
CMS58061700	Zama	65 Nm	17 rpm
CMS58081700	Zama	85 Nm	17 rpm
CMS58101100	Zama	100 Nm	11 rpm
CMS58121100	Zama	120 Nm	11 rpm
CMS58027500	Zama	20 Nm	75 rpm

Certifications are available on the cherubini-group.com website

65/17	85/17	100/11	120/11	20/75
65	85	100	120	20
17	17	11	11	75
29	29	29	29	29
330	375	360	415	415
230/50	230/50	230/50	230/50	230/50
1,50	1,70	1,60	1,90	1,90
lg. 2,5	lg. 2,5	lg. 2,5	lg. 2,5	lg. 2,5
4	4	4	4	4
IP44	IP44	IP44	IP44	IP44
7,0	7,0	7,0	7,0	7,0
703	703	703	703	703

*Possibility of cable with Hirschmann STAS 3.



Foldable crank
with hook length 150 cm
Ref. 7463 150G 2101



Crank
lg. 150 cm
Ref. 9100 150L CH02



Eye with hexagon
7 x 86 mm
Ref. 6010 7008 CH16

AUTOMATION OF THE MOTOR WITH MANUAL OVERRIDE DEVICE

Ocean combined with **TDS Compact** and **Compact Roll** radio receivers becomes a radio controlled motor and takes on new functions.

Moving the override, the end positions remain unchanged.



OCEAN + TDS Compact

- Obstacle recognition during closing.
- Closing force adjustment on 3 levels possible.
- First intermediate position programmable from the remote control.
- Second intermediate position programmable from the remote control and controlled by the WindTec Lux light sensor.



OCEAN + Compact ROLL

- Obstacle detection on both directions, sensitivity setting on 3 levels possible.
- Two intermediate positions that are programmable and usable from the remote control.

Wave Wire Ø58

the plug&play for awnings



Electronic limit switch, wire control and encoder

EASY TO INSTALL, EASY TO PROGRAM!

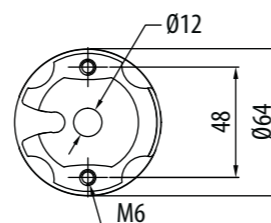
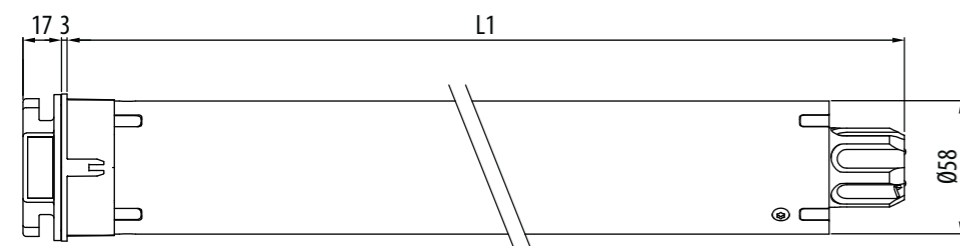
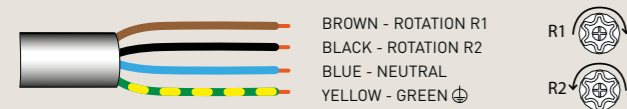
- With cassette awnings, the motor allows the automatic setting of the closing limit switch.
- For other types of awnings it's possible to set both limit switches manually, through simple sequences on the control panel.
- Adjustment of the limit switches through control panel: no need to access the motor head.
- DEDICATED BUTTON PANEL NOT REQUIRED!

Specific functions

- May be connected either directly or in parallel.



MOTOR WITH WIRE CONTROL



Wave Wire Ø58

MAIN CHARACTERISTICS

TECHNICAL FEATURES

Motor torque (Nm)	65	85	120
Speed (rpm)	17	17	11
Power (W)	330	375	415
Power supply (V/Hz)	230/50	230/50	230/50
Consumption (A)	1,50	1,70	1,90
Cable 4 x 0,75 (m)	lg. 2,5	lg. 2,5	lg. 2,5
Operating time (min)	4	4	4
Protection degree	IP44	IP44	IP44
Weight (kg)	6,0	6,0	6,0
L1 (mm)	646	646	646

APPLICATION



Code	Head	Torque	Speed
CEW58061700	Zama	65 Nm	17 rpm
CEW58081700	Zama	85 Nm	17 rpm
CEW58121100	Zama	120 Nm	11 rpm

Certifications are available on the cherubini-group.com website

65/17	85/17	120/11	
Motor torque (Nm)	65	85	120
Speed (rpm)	17	17	11
Power (W)	330	375	415
Power supply (V/Hz)	230/50	230/50	230/50
Consumption (A)	1,50	1,70	1,90
Cable 4 x 0,75 (m)	lg. 2,5	lg. 2,5	lg. 2,5
Operating time (min)	4	4	4
Protection degree	IP44	IP44	IP44
Weight (kg)	6,0	6,0	6,0
L1 (mm)	646	646	646

COMPATIBLE SYSTEMS

For the complete range of compatible systems see "Compatibility Table" on page 122



Cherubini Remote Controls

One-channel, multi-channel, wall-mounted remote controls.



TDS Gold radio receiver

These receivers make it possible to activate mechanical motors automatically.



Climatic controls WindTec WindTec SC

Radio Wind- & Sun sensor (wireless via radio receiver) and Wind sensor (wired).

Tronic RX Ø58

safety and comfort



Electronic limit switch with built-in receiver, wire and radio control

Simple and intuitive adjustment of the limit switch from the remote control.

The encoder technology makes it possible to keep the position set with optimum precision and reliability.

Safety and simplicity

High-safety coding system "Rolling Code".

Easy programming and operation: the motor confirms all the steps by means of small rotations.

Specific functions

- Manual and semi-automatic adjustment of the limit switches.
- Protection against freezing and obstacle detection on both directions, sensitivity setting on 3 levels possible.
- Possibility of memorizing an intermediate position.
- Setting possible with remote control or wired switch.

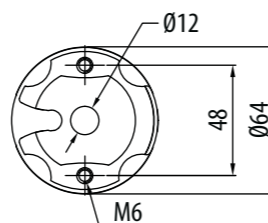
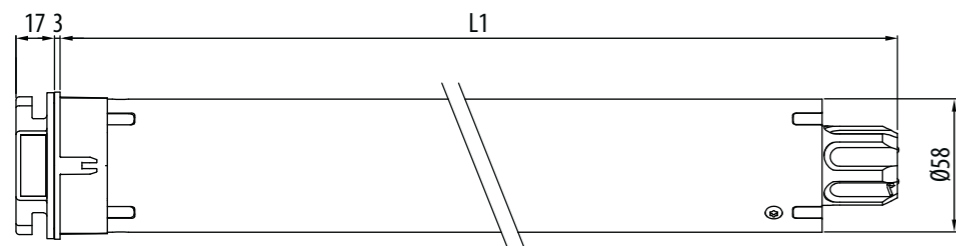
Optional connections

Wired switch.

MOTOR WITH BUILT-IN RECEIVER



BROWN - PHASE
WHITE - WIRED SWITCH
BLUE - NEUTRAL
YELLOW - GREEN ⊕



Tronic RX Ø58

MAIN CHARACTERISTICS

TECHNICAL FEATURES

Motor torque (Nm)	65	85	100	120
Speed (rpm)	17	17	11	11
Power (W)	330	375	360	415
Power supply (V/Hz)	230/50	230/50	230/50	230/50
Radio frequency (MHz)	433,92	433,92	433,92	433,92
Consumption (A)	1,50	1,70	1,60	1,90
Cable 4 x 0,75 (m)	lg. 2,5	lg. 2,5	lg. 2,5	lg. 2,5
Operating time (min)	4	4	4	4
Protection degree	IP44	IP44	IP44	IP44
Receiver storage capacity (No. Remote controls)	15	15	15	15
Weight (kg)	6,0	6,0	6,0	6,0
L1 (mm)	646	646	646	646

APPLICATION



TECHNOLOGY



Code	Head	Torque	Speed
CER58061700	Zama	65 Nm	17 rpm
CER58081700	Zama	85 Nm	17 rpm
CER58101100	Zama	100 Nm	11 rpm
CER58121100	Zama	120 Nm	11 rpm

Certifications are available on the cherubini-group.com website

65/17	85/17	100/11	120/11
65	85	100	120
17	17	11	11
330	375	360	415
230/50	230/50	230/50	230/50
433,92	433,92	433,92	433,92
1,50	1,70	1,60	1,90
lg. 2,5	lg. 2,5	lg. 2,5	lg. 2,5
4	4	4	4
IP44	IP44	IP44	IP44
15	15	15	15
6,0	6,0	6,0	6,0
646	646	646	646

COMPATIBLE SYSTEMS

For the complete range of compatible systems see "Compatibility Table" on page 122



Cherubini Remote Controls

One-channel, multi-channel, wall-mounted remote controls.



Domotic Transmitter

It gives the possibility of integrating motors to the home automation system via radio.



METAHome Gateway

Enables control of Z-Wave devices and Cherubini CRC RX radio motors via smartphones and voice assistants.

Clima Plus RX Ø58

for all types of adjustable shutters - both for drop types and for coupling types



Electronic limit switch with built-in receiver, wire and radio control

Setting possible with remote control or wired switch. Compatible with most home automation systems on the market.

Tilting setting

The 5 programmable tilting options are designed to control all types of shutters with adjustable slats on the market - both drop system and coupling system types.

Specific functions

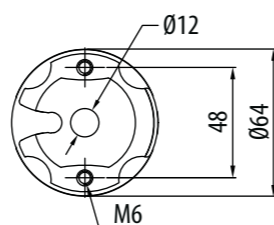
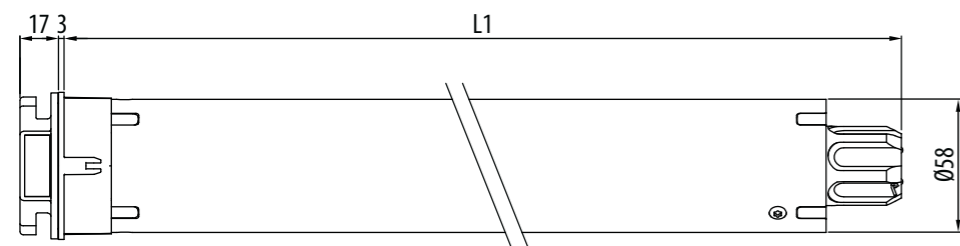
- Manual and semi-automatic adjustment of the limit switches.
- Protection against freezing and obstacle detection on both directions, sensitivity setting on 3 levels possible.
- Possibility of memorizing an intermediate position.

Optional connections

Wired switch.



MOTOR WITH WIRE CONTROL



Clima Plus RX Ø58

MAIN CHARACTERISTICS

TECHNICAL FEATURES

Motor torque (Nm)	65	85	100	120
Speed (rpm)	12	12	11	11
Power (W)	330	330	360	415
Power supply (V/Hz)	230/50	230/50	230/50	230/50
Radio frequency (MHz)	433,92	433,92	433,92	433,92
Consumption (A)	1,50	1,50	1,60	1,90
Cable 4 x 0,75 (m)	lg. 2,5	lg. 2,5	lg. 2,5	lg. 2,5
Operating time (min)	4	4	4	4
Protection degree	IP44	IP44	IP44	IP44
Receiver storage capacity (No. Remote controls)	15	15	15	15
Weight (kg)	6,0	6,0	6,0	6,0
L1 (mm)	646	646	646	646

COMPATIBLE SYSTEMS

For the complete range of compatible systems see "Compatibility Table" on page 122

APPLICATION



TECHNOLOGY



Code	Head	Torque	Speed
CED58061200	Zama	65 Nm	12 rpm
CED58081200	Zama	85 Nm	12 rpm
CED58101100	Zama	100 Nm	11 rpm
CED58121100	Zama	120 Nm	11 rpm

Certifications are available on the cherubini-group.com website

65/12	85/12	100/11	120/11
65	85	100	120
12	12	11	11
330	330	360	415
230/50	230/50	230/50	230/50
433,92	433,92	433,92	433,92
1,50	1,50	1,60	1,90
lg. 2,5	lg. 2,5	lg. 2,5	lg. 2,5
4	4	4	4
IP44	IP44	IP44	IP44
15	15	15	15
6,0	6,0	6,0	6,0
646	646	646	646



Cherubini Remote Controls

One-channel, multi-channel, wall-mounted remote controls.



Domotic Transmitter

It gives the possibility of integrating motors to the home automation system via radio.



METAHome Gateway

Enables control of Z-Wave devices and Cherubini CRC RX radio motors via smartphones and voice assistants.

Dimio ZRX Ø58



dual radios and even more power for adjustable roller shutters

Electronic limit switch with integrated dual-radio Cherubini CRC RX and Z-Wave

The motor can be controlled by voice assistants (Google Home and Amazon Alexa) and CRC RX radio remote controls, switches, and online applications associated with the gateway.

Tilting setting

The 5 programmable tilting options are designed to control all types of shutters with adjustable slats on the market - both drop system and coupling system types.

Total information return

The motor keeps its status aligned for any type of command received: via cable through push button or switch, via CRC RX radio through remote control, via Z-Wave network, via voice assistant, tablet or smartphone.

Efficiency

Thanks to the dual-radio, the motor offers the same advantages and ease of programming as the Cherubini range, plus seamless integration into Z-Wave home building automation systems.

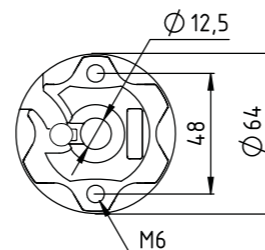
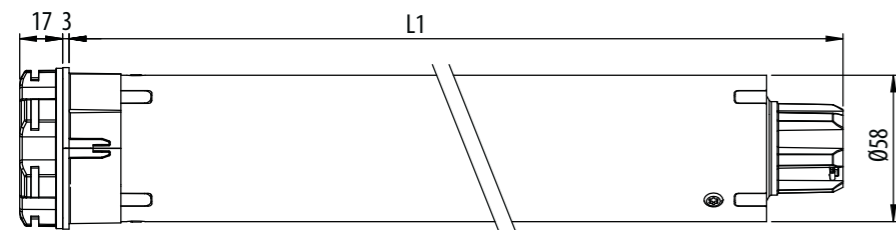
Specific functions

- Manual and semi-automatic adjustment of the limit switches.
- Protection against freezing and obstacle detection on both directions, sensitivity setting on 3 levels possible.
- Possibility of memorizing an intermediate position.

Optional connections

Wired switch.

MOTOR WITH BUILT-IN RECEIVER



Dimio ZRX Ø58

MAIN CHARACTERISTICS

TECHNICAL FEATURES

Motor torque (Nm)	65	85	100	120
Speed (rpm)	12	12	11	11
Power (W)	330	330	360	415
Power supply (V/Hz)	230/50	230/50	230/50	230/50
Radio frequency (MHz)	433,92	433,92	433,92	433,92
Consumption (A)	1,50	1,50	1,60	1,90
Cable 4 x 0,75 (m)	lg. 4,5	lg. 4,5	lg. 4,5	lg. 4,5
Operating time (min)	4	4	4	4
Protection degree	IP44	IP44	IP44	IP44
Receiver storage capacity (No. Remote controls)	15	15	15	15
Weight (kg)	6,0	6,0	6,0	6,0
L1 (mm)	646	646	646	646

COMPATIBLE SYSTEMS

For the complete range of compatible systems see "Compatibility Table" on page 122

APPLICATION



TECHNOLOGY



Code	Head	Torque	Speed
CZD58061200	Zama	65 Nm	12 rpm
CZD58081200	Zama	85 Nm	12 rpm
CZD58101100	Zama	100 Nm	11 rpm
CZD58121100	Zama	120 Nm	11 rpm

Certifications are available on the cherubini-group.com website

	65/12	85/12	100/11	120/11
Motor torque (Nm)	65	85	100	120
Speed (rpm)	12	12	11	11
Power (W)	330	330	360	415
Power supply (V/Hz)	230/50	230/50	230/50	230/50
Radio frequency (MHz)	433,92	433,92	433,92	433,92
Consumption (A)	1,50	1,50	1,60	1,90
Cable 4 x 0,75 (m)	lg. 4,5	lg. 4,5	lg. 4,5	lg. 4,5
Operating time (min)	4	4	4	4
Protection degree	IP44	IP44	IP44	IP44
Receiver storage capacity (No. Remote controls)	15	15	15	15
Weight (kg)	6,0	6,0	6,0	6,0
L1 (mm)	646	646	646	646



Cherubini Remote Controls

One-channel, multi-channel, wall-mounted remote controls.



Domotic Transmitter

It gives the possibility of integrating motors to the home automation system via radio.



METAHome Gateway

Enables control of Z-Wave devices and Cherubini CRC RX radio motors via smartphones and voice assistants.

Wave RX Ø58

the motor for all awning types



Electronic limit switch with built-in receiver, wire and radio control

Attachment without brackets

Thanks to the metallic head, the motor can be fastened directly to the bracket.

Adjustment of the closing force

The possibility to adjust the applied force ensures the perfect closing of the cassette awnings and avoids the danger of over-stretching the awning fabric.

Specific functions

- Obstacle detection upwards, sensitivity setting on 3 levels possible.
- Torque control for the stop in closing position of cassette awnings.
- Possibility of memorizing an intermediate position.
- Setting possible with remote control or wired switch.

Optional connections

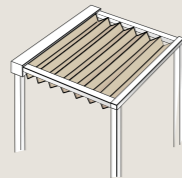
Wired switch.
Connection to WindTec, Mistral and Rugiada climatic controls via radio.



FUNCTIONS FOR PERGOLAS AND VERANDAS

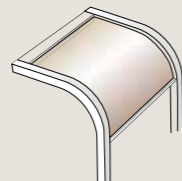
Pitched pergolas

On pitched pergolas the motor stops automatically when the fabric reaches its point of greatest extension: performing a remote control sequence is sufficient to program the limit switches. From that moment onwards each time the motor reaches the opening limit switch position, it stops so that it keeps the awning fabric taut.



Pergolas and horizontal awnings

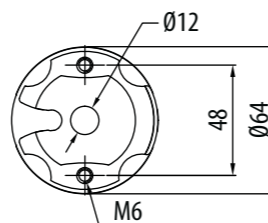
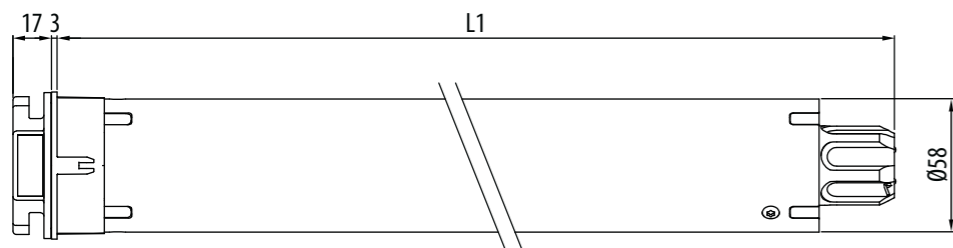
For pergolas and horizontal awnings it is possible to activate the Fabric Tightening function: the motor, after reaching the outer limit, automatically performs a short backwards turn to tighten the fabric.



MOTOR WITH BUILT-IN RECEIVER



BROWN - PHASE
WHITE - WIRED SWITCH
BLUE - NEUTRAL
YELLOW - GREEN ⊕



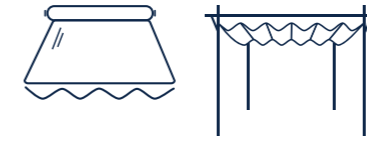
Wave RX Ø58

MAIN CHARACTERISTICS

TECHNICAL FEATURES

Motor torque (Nm)	65	85	100	120	20	40
Speed (rpm)	17	17	11	11	75	32
Power (W)	330	375	360	415	415	360
Power supply (V/Hz)	230/50	230/50	230/50	230/50	230/50	230/50
Radio frequency (MHz)	433,92	433,92	433,92	433,92	433,92	433,92
Consumption (A)	1,50	1,70	1,60	1,90	1,90	1,60
Cable 4 x 0,75 (m)	lg. 4,5	lg. 4,5	lg. 4,5	lg. 4,5	lg. 4,5	lg. 4,5
Operating time (min)	4	4	4	4	4	4
Protection degree	IP44	IP44	IP44	IP44	IP44	IP44
Receiver storage capacity (No. Remote controls)	15	15	15	15	15	15
Weight (kg)	6,0	6,0	6,0	6,0	6,0	6,0
L1 (mm)	646	646	646	646	646	646

APPLICATION



TECHNOLOGY



Code	Head	Torque	Speed
CET58061700	Zama	65 Nm	17 rpm
CET58081700	Zama	85 Nm	17 rpm
CET58101100	Zama	100 Nm	11 rpm
CET58121100	Zama	120 Nm	11 rpm
CET58027500	Zama	20 Nm	75 rpm
CET58043200	Zama	40 Nm	32 rpm

Certifications are available on the cherubini-group.com website

65/17	85/17	100/11	120/11	20/75	40/32
65	85	100	120	20	40
17	17	11	11	75	32
330	375	360	415	415	360
230/50	230/50	230/50	230/50	230/50	230/50
433,92	433,92	433,92	433,92	433,92	433,92
1,50	1,70	1,60	1,90	1,90	1,60
lg. 4,5	lg. 4,5	lg. 4,5	lg. 4,5	lg. 4,5	lg. 4,5
4	4	4	4	4	4
IP44	IP44	IP44	IP44	IP44	IP44
15	15	15	15	15	15
6,0	6,0	6,0	6,0	6,0	6,0
646	646	646	646	646	646

COMPATIBLE SYSTEMS

For the complete range of compatible systems see "Compatibility Table" on page 122



Cherubini Remote Controls

One-channel, multi-channel, wall-mounted remote controls.

Rugiada TX Radio Rain-sensor

Rain-sensor wireless set on Cherubini Domotic transmitter.

Climatic controls WindTec and Mistral

Wind-sensor, Wind- & Sun-sensor and wireless vibrating Wind-sensor.

METAHome Gateway

Enables control of Z-Wave devices and Cherubini CRC RX radio motors via smartphones and voice assistants.

Ora ZRX Ø58

motor for cassette awnings with long fabric



Electronic limit switch with integrated dual-radio Cherubini CRC RX and Z-Wave

The motor can be controlled by voice assistants (Google Home and Amazon Alexa) and CRC RX radio remote controls, switches, and online applications associated with the gateway.

Total information return

The motor keeps its status aligned for any type of command received: via cable through push button or switch, via CRC RX radio through remote control, via Z-Wave network, via voice assistant, tablet or smartphone.

Efficiency

Thanks to the dual-radio, the motor offers the same advantages and ease of programming as the Cherubini range, plus seamless integration into Z-Wave home building automation systems.

Specific functions

- Obstacle detection upwards, sensitivity setting on 3 levels possible.
- Torque control for the stop in closing position of cassette awnings.
- Possibility of memorizing an intermediate position.

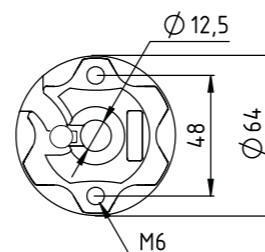
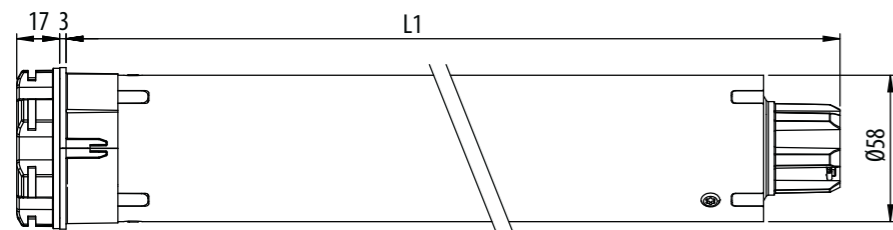
Optional connections

Wired switch.

MOTOR WITH BUILT-IN RECEIVER



BROWN - PHASE
WHITE - WIRED SWITCH
BLUE - NEUTRAL
YELLOW - GREEN ⊕



Ora ZRX Ø58

MAIN CHARACTERISTICS

TECHNICAL FEATURES

Motor torque (Nm)	65	85	100	120
Speed (rpm)	17	17	11	11
Power (W)	330	375	360	415
Power supply (V/Hz)	230/50	230/50	230/50	230/50
Radio frequency (MHz)	433,92	433,92	433,92	433,92
Consumption (A)	1,50	1,70	1,60	1,90
Cable 4 x 0,75 (m)	lg. 4,5	lg. 4,5	lg. 4,5	lg. 4,5
Operating time (min)	4	4	4	4
Protection degree	IP44	IP44	IP44	IP44
Receiver storage capacity (No. Remote controls)	15	15	15	15
Weight (kg)	6,0	6,0	6,0	6,0
L1 (mm)	646	646	646	646

APPLICATION



TECHNOLOGY



Code	Head	Torque	Speed
CZT58061700	Zama	65 Nm	17 rpm
CZT58081700	Zama	85 Nm	17 rpm
CZT58101100	Zama	100 Nm	11 rpm
CZT58121100	Zama	120 Nm	11 rpm

Certifications are available on the cherubini-group.com website

	65/17	85/17	100/11	120/11
Motor torque (Nm)	65	85	100	120
Speed (rpm)	17	17	11	11
Power (W)	330	375	360	415
Power supply (V/Hz)	230/50	230/50	230/50	230/50
Radio frequency (MHz)	433,92	433,92	433,92	433,92
Consumption (A)	1,50	1,70	1,60	1,90
Cable 4 x 0,75 (m)	lg. 4,5	lg. 4,5	lg. 4,5	lg. 4,5
Operating time (min)	4	4	4	4
Protection degree	IP44	IP44	IP44	IP44
Receiver storage capacity (No. Remote controls)	15	15	15	15
Weight (kg)	6,0	6,0	6,0	6,0
L1 (mm)	646	646	646	646

COMPATIBLE SYSTEMS

For the complete range of compatible systems see "Compatibility Table" on page 122



Cherubini Remote Controls

One-channel, multi-channel, wall-mounted remote controls.

Rugiada TX Radio Rain-sensor

Rain-sensor wireless set on Cherubini Domotic transmitter.

Climatic controls WindTec and Mistral

Wind-sensor, Wind- & Sun-sensor and wireless vibrating Wind-sensor.

METAHome Gateway

Enables control of Z-Wave devices and Cherubini CRC RX radio motors via smartphones and voice assistants.

Wave Lock RX Ø58

the motor for automatic coupling awnings



Electronic limit switch with built-in receiver, wire and radio control

Wave Lock RX was created to be adapted with great flexibility to all horizontal or vertical awnings equipped with automatic coupling.

Electronic programming of the coupling excursion and stretching force ensure consistent operation over time.

Attachment without brackets

Thanks to the metallic head, the motor can be fastened directly to the bracket.

Specific functions

- Automatic programmable awning coupling and uncoupling system.
- Possibility of memorising the automatic coupling and uncoupling of the awning even in the intermediate position.
- Obstacle detection upwards, sensitivity setting on 3 levels possible.
- Torque control for the stop in closing position of cassette awnings.
- Setting possible with remote control or wired switch.

Optional connections

Wired switch.

Connection to WindTec, Mistral and Rugiada climatic controls via radio.

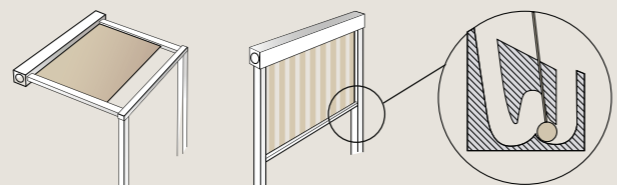
MOTOR WITH BUILT-IN RECEIVER



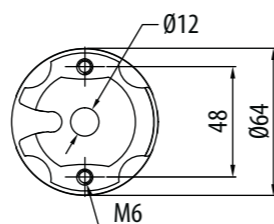
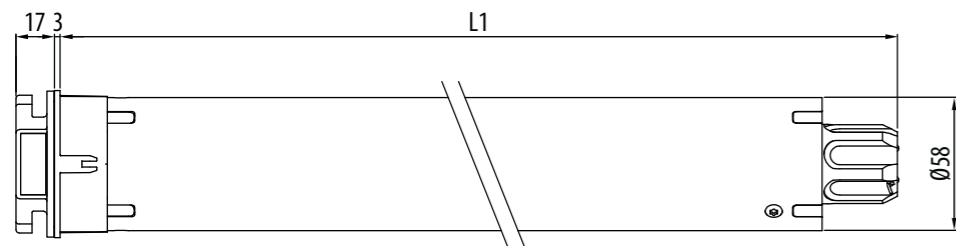
BROWN - PHASE
WHITE - WIRED SWITCH
BLUE - NEUTRAL
YELLOW - GREEN ⊕



AUTOMATIC COUPLING AWNINGS



COUPLING AND UNCOUPLING SYSTEM



Wave Lock RX Ø58

MAIN CHARACTERISTICS

TECHNICAL FEATURES

Motor torque (Nm)	85	100	120
Speed (rpm)	17	11	11
Power (W)	375	360	415
Power supply (V/Hz)	230/50	230/50	230/50
Radio frequency (MHz)	433,92	433,92	433,92
Consumption (A)	1,70	1,60	1,90
Cable 4 x 0,75 (m)	lg. 4,5	lg. 4,5	lg. 4,5
Operating time (min)	4	4	4
Protection degree	IP44	IP44	IP44
Receiver storage capacity (No. Remote controls)	15	15	15
Weight (kg)	6,0	6,0	6,0
L1 (mm)	646	646	646

APPLICATION



TECHNOLOGY



Code	Head	Torque	Speed
CET58081725	Zama	85 Nm	17 rpm
CET58101125	Zama	100 Nm	11 rpm
CET58121125	Zama	120 Nm	11 rpm

Certifications are available on the cherubini-group.com website

85/17	100/11	120/11	
Motor torque (Nm)	85	100	120
Speed (rpm)	17	11	11
Power (W)	375	360	415
Power supply (V/Hz)	230/50	230/50	230/50
Radio frequency (MHz)	433,92	433,92	433,92
Consumption (A)	1,70	1,60	1,90
Cable 4 x 0,75 (m)	lg. 4,5	lg. 4,5	lg. 4,5
Operating time (min)	4	4	4
Protection degree	IP44	IP44	IP44
Receiver storage capacity (No. Remote controls)	15	15	15
Weight (kg)	6,0	6,0	6,0
L1 (mm)	646	646	646

COMPATIBLE SYSTEMS

For the complete range of compatible systems see "Compatibility Table" on page 122



Cherubini Remote Controls

One-channel, multi-channel, wall-mounted remote controls.

Rugiada TX Radio Rain-sensor

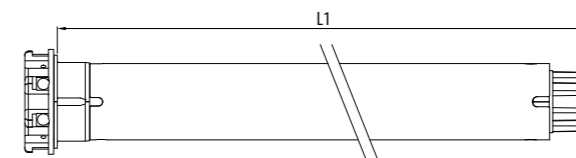
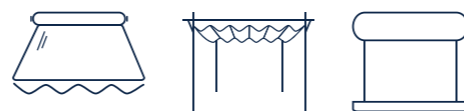
Rain-sensor wireless set on Cherubini Domotic transmitter.

Climatic controls WindTec and Mistral

Wind-sensor, Wind- & Sun-sensor and wireless vibrating Wind-sensor.

METAHome Gateway

Enables control of Z-Wave devices and Cherubini CRC RX radio motors via smartphones and voice assistants.



			Torque/Speed	Code	Torque	Speed	Weight (Kg)	L1 (mm)	For details:
Plug&Play		PLUG&PLAY PLUS Ø35 Electronic limit switch with wired control	5/30	CEQ35053000	5 Nm	30 rpm	1,7	547	Page 36
Roll		ROLL Ø35 Mechanical limit switch	3/30	CMP35033000	3 Nm	30 rpm	1,6	477	Page 34
			5/30	CMP35053000	5 Nm	30 rpm	1,6	477	Page 34
Senso Wire		SENSO WIRE Ø35 Electronic limit switch with wired control	5/30	CEG35053000	5 Nm	30 rpm	1,7	547	Page 38
		SENSO WIRE Ø45 Electronic limit switch with wired control	7/30	CEG45073000	7 Nm	30 rpm	2,5	503	Page 76
			15/30	CEG45153000	15 Nm	30 rpm	3,2	543	Page 76
Senso RX		SENSO RX Ø35 Electronic limit switch and built-in radio	3/30	CEA35033000	3 Nm	30 rpm	1,7	547	Page 42
			5/30	CEA35053000	5 Nm	30 rpm	1,7	547	Page 42
		SENSO RX Ø45 Electronic limit switch and built-in radio	7/30	CEA45073000	7 Nm	30 rpm	2,5	503	Page 94
			15/30	CEA45153000	15 Nm	30 rpm	3,2	543	Page 94
Wave RX		WAVE RX Ø58 Electronic limit switch and built-in radio	20/75	CET58027500	20 Nm	75 rpm	6,0	646	Page 112
			40/32	CET58043200	40 Nm	32 rpm	6,0	646	Page 112
Garda		GARDA Ø58 Mechanical limit switch	20/75	CME58027500	20 Nm	75 rpm	5,7	646	Page 100
			40/32	CME58043200	40 Nm	32 rpm	5,7	646	Page 100
Ocean		OCEAN Ø58 Mechanical limit switch with override device	20/75	CMS58027500	20 Nm	75 rpm	7,0	703	Page 102



HOME AUTOMATION AND REMOTE CONTROLS

compatibility table	p. 122
accessories for home automation	
METAHome	p. 124
META	p. 126
DOMOTIC RECEIVERS	p. 128
EXPANSION MODULE	p. 130
DOMOTIC TRANSMITTER	p. 131
DOMOTIC ISOLATOR	p. 131
GIRO series remote controls	
GIRO	p. 132
GIRO PLUS	p. 132
GIRO LUX	p. 132
GIRO P-LUX	p. 132
GIRO WALL	p. 136
POP series remote controls	
POP	p. 134
POP PLUS	p. 134
POP LUX	p. 134
POP P-LUX	p. 134
SKIPPER series remote controls	
SKIPPER POCKET	p. 137
SKIPPER LCD	p. 138
SKIPPER SENSO	p. 140
TOUCH series remote controls	
TOUCH-1L	p. 137
TOUCH-LOCK4	p. 137
climatic controls	
WINDTEC	p. 142
WINDTEC LUX	p. 142
WINDTEC SC	p. 142
MISTRAL	p. 144
RUGIADA TX radio rain-sensor	p. 145
control units and receivers	
TDS COMPACT Radio receiver for awnings	p. 146
TDS SILVER Control unit for awnings	p. 146
TDS GOLD Radio receiver for awnings	p. 147
TANDEM Radio receiver for awnings	p. 147
MINI Radio receiver for awnings and rolling shutters	p. 148
MYROLL radio receiver for rolling shutters	p. 148
OPTIME Radio receiver for rolling shutters	p. 149
COMPACT ROLL Radio receiver for rolling shutters	p. 149
ORIENS CRC Radio receiver for Venetian Blind motors	p. 150
electrical accessories	
TIMERS	p. 151
"COMFORT" SIGNAL REPEATER	p. 152
MULTIPLE CONTROL RELAY	p. 152
PROGRAMMING CABLES	p. 152

Table



		A510008 EXPANSION MODULE	TIMERS A510027 A510029	A510074 TIMER RADIO	A520007 WINDTEC	A520008 WINDTEC LUX	A520012 MISTRAL	A520016 RUGIADA	CHERUBINI REMOTE CONTROLS	A530058 POCKET 4C	A530100 TOUCH-LOCK4	A530065 DOMOTIC TRANSMITTER
ELECTRONIC LIMIT SWITCH, BUILT-IN RADIO AND Z-WAVE	DIMIO ZRX			✓					✓	✓	✓	✓
	INSTA SHORT ZRX			✓					✓	✓	✓	✓
	ORA ZRX			✓	✓	✓	✓	✓	✓	✓	✓	✓
	OPEN ZRX			✓					✓	✓	✓	✓
	REBIS ZRX			✓	✓	✓	✓	✓	✓	✓	✓	✓
ELECTRONIC LIMIT SWITCH, BUILT-IN RADIO	SENSO RX			✓	✓	✓	✓	✓	✓	✓	✓	✓
	DOGE RX			✓	✓	✓	✓	✓	✓	✓	✓	✓
	WAVE RX			✓	✓	✓	✓	✓	✓	✓	✓	✓
	WAVE LOCK RX			✓	✓	✓	✓	✓	✓	✓	✓	✓
	TRONIC RX			✓					✓	✓	✓	✓
	MODO RX			✓					✓	✓	✓	✓
	CLIMA PLUS RX			✓					✓	✓	✓	✓
MECHANICAL LIMIT SWITCH WITH BUILT-IN RECEIVER	PLUG&PLAY SHORT RX			✓					✓	✓	✓	✓
	MOVI RX		✓		✓	✓	✓	✓	✓	✓	✓	✓
	GARDA RX			✓	✓	✓	✓	✓	✓	✓	✓	✓
ELECTRONIC LIMIT SWITCH WITH WIRE CONTROL	OCEAN RX			✓	✓	✓	✓	✓	✓	✓	✓	✓
	PLUG&PLAY PLUS		✓									
	PLUG&PLAY SHORT		✓									
	PLUG&PLAY		✓									
	PLUG&PLAY OCEAN EASY		✓									
	PLUG&PLAY SAFE EASY		✓									
	PLUG&PLAY EXEO EASY		✓									
	WAVE WIRE		✓									
SENSO WIRE		✓										
MECHANICAL LIMIT SWITCH									for additional compatibilities see table below			
	MOVI	✓	✓									
	GARDA	✓	✓									
	ROLL	✓	✓									
MECHANICAL LIMIT SWITCH WITH OVERRIDE DEVICE	MICRO	✓	✓									
	OCEAN	✓	✓									

The following motors, together with the control units indicated, become compatible with other automation systems:

			A520007 WINDTEC	A520008 WINDTEC LUX	A520010 WINDTEC SC	A520012 MISTRAL	A520016 RUGIADA	A510074 TIMER RADIO	CHERUBINI REMOTE CONTROLS	A530058 SKIPPER POCKET 4C	A530065 DOMOTIC TRANSMITTER	A530100 TOUCH-LOCK4
ELECTRONIC LIMIT SWITCH WITH WIRE CONTROL	WAVE WIRE SENSO WIRE	+	A510021 TDS SILVER			✓						
			A510030 TANDEM (only with WAVE WIRE)	✓	✓	✓	✓	✓	✓	✓	✓	
MECHANICAL LIMIT SWITCH	MOVI GARDA ROLL MICRO		A510020 TDS GOLD	✓	✓	✓	✓	✓	✓		✓	
			A510021 TDS SILVER			✓						
			A510038 TDS COMPACT	✓	✓		✓	✓	✓	✓	✓	✓
MECHANICAL LIMIT SWITCH WITH OVERRIDE DEVICE	OCEAN	+	A510036 MINI*	✓	✓		✓	✓	✓	✓	✓	✓
			A510037 COMPACT ROLL					✓	✓	✓	✓	✓
			A510039 OPTIME*					✓	✓	✓	✓	✓
			A510062 MYROLL					✓	✓	✓	✓	✓
			A510030 TANDEM**	✓	✓	✓	✓	✓	✓	✓	✓	

* Except GARDA Ø58 and OCEAN Ø58
** Except OCEAN Ø45 and Ø58

MetaHome

Connection and opening for smart control



A SET OF SMART HOME FUNCTIONALITIES, CONFIGURABLE AND MODULAR TO SUIT EVERY NEED.

The METAHome gateway allows you to integrate both Z-Wave and Cherubini Radio CRC RX devices into one system, offering a smart home feature set that is configurable and modular for every need. With METAHome, you can control a wide range of Z-Wave devices, both Cherubini and leading manufacturers. METAHome allows you to optimise the management of a building via an App, setting up scenarios and automation for:

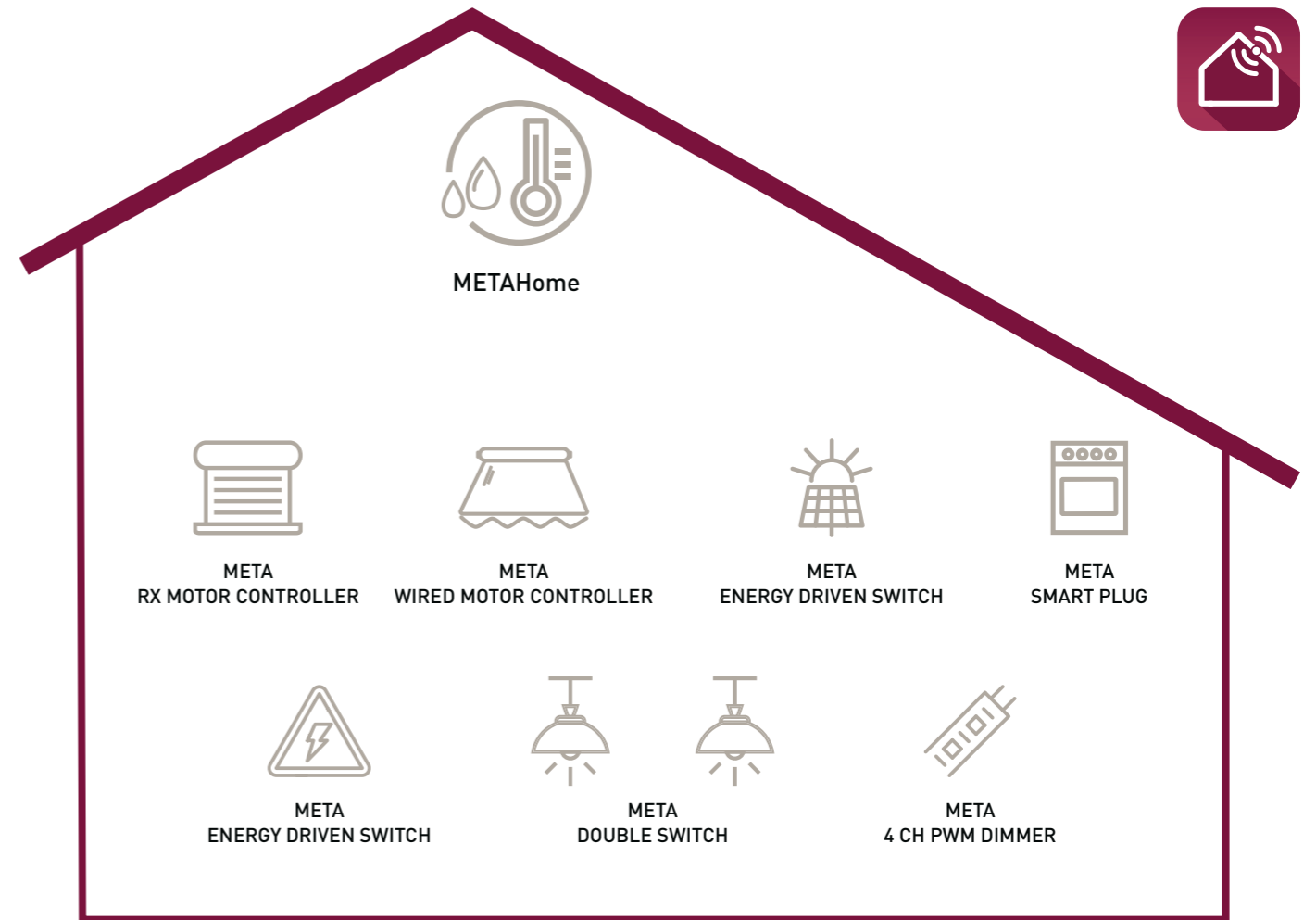
- Rolling shutters
- Awnings and screens
- Smartlock
- Heating
- Cooling
- Lighting
- Audio and video
- Smart devices

Available for mobile iOS and Android operating systems.



METAHome is compatible with the voice assistants Google Home and Alexa. Through Cherubini modules or those of the main Z-Wave manufacturers, it is possible to manage the functions of a building for optimal Home Building Automation, optimising energy consumption and living comfort.

AP02



METAHome GATEWAY

Gateway with dedicated App for managing a network of devices, both via Cherubini Radio CRC RX protocol and Z-Wave, also remotely. Available in three colours: Warm Gray, Blue and Burgundy.



Code	Model	Colour	METAHome Gateway	
A510075	METAHome Gateway	Warm Gray	Power supply	5 V DC
A510076	METAHome Gateway	Burgundy	Working temperature	-10 +40 °C
A510077	METAHome Gateway	Blue	Radio protocols	Z-Wave, RF 433,92
			Maximum distance	100 m open 40 m closed
			Dimensions	105x105x23 mm
			Protection degree	IP20

AP02

Meta

A new system,
multiple benefits

- Ultra-small size: the smallest modules in the world
- Easier installation thanks to SmartStart technology
- Longer transmission radius: +100 metres
- More powerful modules
- Reduced consumption and increased energy efficiency
- Long life: Zero Crossing contact protection technology
- S2 security: communication between devices is protected by advanced encryption standards
- Direct control of other associated devices
- Scenarios activation.
- Power on/off with all types of buttons and switches
- Highly accurate consumption measurement
- Personalised reactions to alarms



A510078 META WIRED MOTOR CONTROLLER 7

- Actuator for motors with standard connection
- Works with any type of motor
 - Controls rolling shutters, awnings and screens
 - Possibility to program different intermediate positions
 - Auto-calibration system
 - Extremely precise position recognition



A510079 META RX MOTOR CONTROLLER 7

- Actuator for CHERUBINI RX motors (white wire)
- Controls rolling shutters, awnings and screens
 - Possibility to program different intermediate positions
 - Extremely precise position recognition



A510081 META 4 CH PWM DIMMER 7

- 4-channel 12/24 V dc dimmer
- Controls light intensity independently on the 4 channels
 - Works with LED and halogen lamps and strips



A510089 META 2 CH PWM DIMMER ZRX (with dual-Radio)

- 2-channel 12/24 V dc dimmer
- Controls light intensity on the 2 channels
 - Works with LED and halogen lamps and strips



A510082 META DRY CONTACT SWITCH 7 A510088 META DRY CONTACT SWITCH ZRX (with dual-Radio)

- Single channel relay and dry contact
- Switching on/off equipment with independent power supply, such as gas valves and irrigation systems
 - Time management both ON/OFF

CHARACTERISTICS

Radio protocol	Z-Wave 700 Series		
Maximum distance in open space	100 m	Dimensions	37x37x17 mm
Maximum distance indoors	40 m	Dimensions META SMART PLUG	69x44x44 mm
Operating temperature	-10 °C +40 °C	Protection degree	IP20



A510083 A510084 A510090

META DOUBLE SWITCH 7

- Actuator with two independent 230 V outputs for lights and small appliances
- Available in three versions:
 - A510083 controlled by phase L signal with consumption meter
 - A510084 controlled by neutral N signal with consumption meter
 - A510090 controlled by phase L signal
 - Independently configurable channels
 - Multiple configuration options
 - Time-controlled on and off management for both channels independently



A510086 META ENERGY DRIVEN SWITCH-C 7

- Controls energy consumption and protects against electrical failure
- Version 10 kW > for the whole house
 - Controls both the energy consumed and the energy produced
 - Measures power, energy, voltage, current and power factor
 - Customisation of load control according to measured energy
 - Control of heavy loads



A510068 META SMART PLUG

- Controlled socket for any household appliance and equipment up to 12 A
- Multicoloured LED for operation feedback
 - Overvoltage and overcurrent detection
 - Overload protection
 - Integrates an energy consumption meter

	Power supply	Maximum charge	Consumption in the stand-by mode
A510078 META WIRED MOTOR CONTROLLER 7	110-230 V ac 50/60 Hz	5 A	< 230 mW
A510079 META RX MOTOR CONTROLLER 7	110-230 V ac 50/60 Hz	5 A	< 230 mW
A510081 META 4 CH PWM DIMMER 7	12-24 V ac	6 A /canal - Max 13 A	< 100 mW
A510082 META DRY CONTACT SWITCH 7	110-230 V ac 50/60 Hz 24 V dc	15 A (Resistive load)	< 260 mW
A510083 META DOUBLE SWITCH 7	110-230 V ac 50/60 Hz 24 V dc	2 x 8 A (Resistive load)	< 260 mW
A510084 META DOUBLE SWITCH 7	110-230 V ac 50/60 Hz 24 V dc	2 x 8 A (Resistive load)	< 260 mW
A510086 META ENERGY DRIVEN SWITCH-C 7	230 V ac 50/60 Hz	12,5 A	< 260 mW
A510088 META DRY CONTACT SWITCH ZRX	110-230 V ac 50/60 Hz 24 V dc	15 A (Resistive load)	< 260 mW
A510089 META 2 CH PWM DIMMER ZRX	12-24 V ac	6 A /canal - Max 13 A	< 100 mW
A510090 META DOUBLE SWITCH 7	110-230 V ac 50/60 Hz 24 V dc	2 x 8 A (Resistive load)	< 260 mW
A510068 META SMART PLUG	230 V ac 50/60 Hz	12 A	< 0,4 W

Domotic receivers



A510031 POWER ONE



A510032 DUO
A510033 DUO BT



A510042 POWER ONE 2C



A510043 POWER ONE 2M



A510073 DIMMER LED RX

The Power One and Duo domotic receivers enable the control of low- and mid-power electric appliances using lines power or low voltage power (e.g. incandescent lamps, etc.) by way of a Cherubini remote control. The Duo BT receiver provides the same functionality but with a 12 or 24 V power supply. All 3 receivers have a dry contact output. The domotic receivers Power One 2C and 2M enable the control of powerful electrical equipment such as halogen lamps or infrared heaters. Also suitable for the control of specific devices, such as Power supplies for LED lights or fluorescent light tubes, etc. The low-voltage Dimmer LED RX allows LED bars to be controlled via 2 channels, configuring the 2 outputs with 2 different modes: 1D with one duplicate load, or 2L with 2 independent loads.

VERSIONS

Code	Model	Function
A510031	POWER ONE	Mid-power appliances
A510032	DUO	Low-power appliances
A510033	DUO BT	Home automation systems in low voltage
A510042	POWER ONE 2C	High powered electrical devices - wired
A510043	POWER ONE 2M	High powered electrical devices - with terminal board
A510073	DIMMER LED RX	Dimmer control for LED

CHARACTERISTICS

	A510031 POWER ONE	A510032 DUO	A510033 DUO BT
Power supply	230 V ac	230 V ac	12/24 V ac/dc
Maximum power 220 V ac	1000 W resistive	2x500 W resistive	2x500 W
Operating temperature	-10 °C +50 °C	-10 °C +50 °C	-10 °C +50 °C
Dimensions	40 x 40 x 20 mm		
Protection degree	IP44	IP44	IP44
Radio frequency	433,92 MHz	433,92 MHz	433,92 MHz

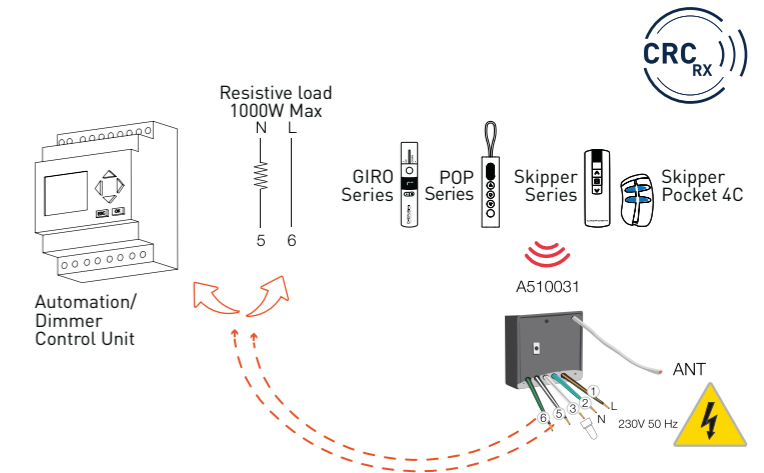
	A510042 POWER ONE 2C A510043 POWER ONE 2M
Power supply	230 V ac
Maximum power 220 V ac	2000 W halogen lamps and heaters 500 W LED and fluorescent lamps
Operating temperature	-10 °C +50 °C
Dimensions	120 x 35 x 20 mm
Protection degree	IP44
Radio frequency	433,92 MHz

	A510073 DIMMER LED RX
Power supply	12/24 V ac/dc
Maximum power	12 V 2x60 W - 24 V 2x120 W
Operating temperature	-10 °C +50 °C
Dimensions	48,5 x 48,5 x 22 mm
Protection degree	IP20
Radio frequency	433,92 MHz

POWER ONE A510031

Suitable for powering medium wattage loads (e.g. lighting components)
- Input for button or control switch.
- Stable or timed output.

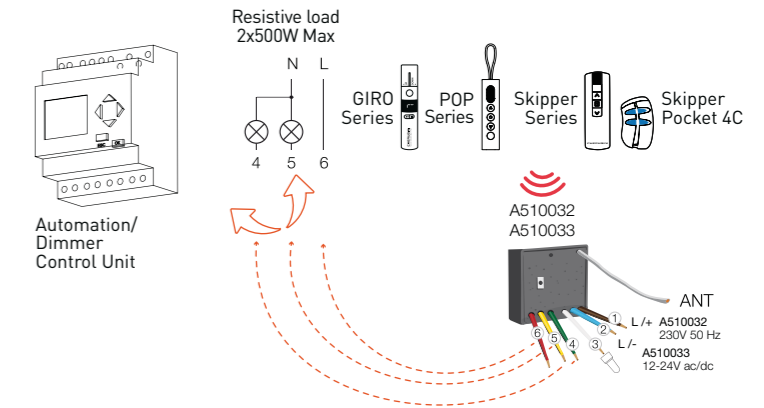
- 1- Brown - Phase
- 2- Blue - Neutral
- 3- White - Wired switch (optional)
- 5- Black - Output 1
- 6- Black - Common



DUO A510032 DUO BT A510033

Suitable for running two independent loads, or else a diverted low power load (e.g. lighting).
- Input for button or control switch.
- Stable or timed output.

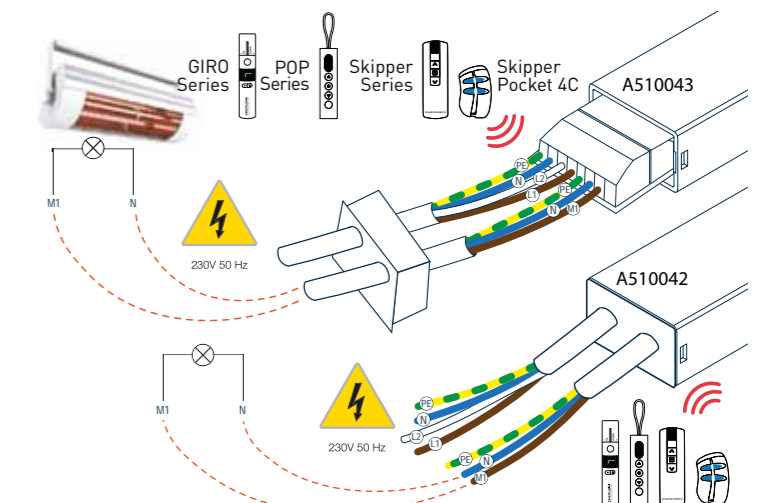
- 1- Brown - Phase/Power +
- 2- Blue - Neutral/Power -
- 3- White - Wired switch (optional)
- 4- Green - Output 2
- 5- Yellow - Output 1
- 6- Red - Common



POWER ONE 2C A510042 POWER ONE 2M A510043

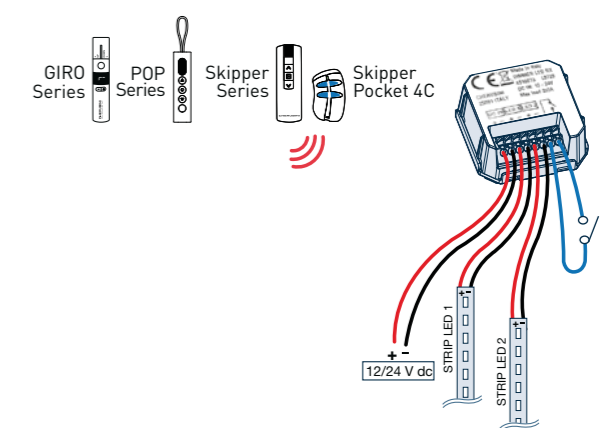
Suitable for the control of electrical devices such as high-performance halogen lamps or infrared heaters.
- Input for button or control switch.
- Stable or timed outputs.

- ON POWER
 - N - Blue - Neutral
 - L1 - Brown - Phase
 - L2 - White - Wired switch (optional)
 - PE - Yellow - Green - Earth
- ON DEVICE
 - N - Blue - Neutral
 - M1 - Brown - Phase
 - PE - Yellow - Green - Earth



DIMMER LED RX A510073

Suitable for controlling LED lighting systems with 2 separate outputs, configurable as 2 channels with a duplicate load (1D) or 2 independent loads (2L).



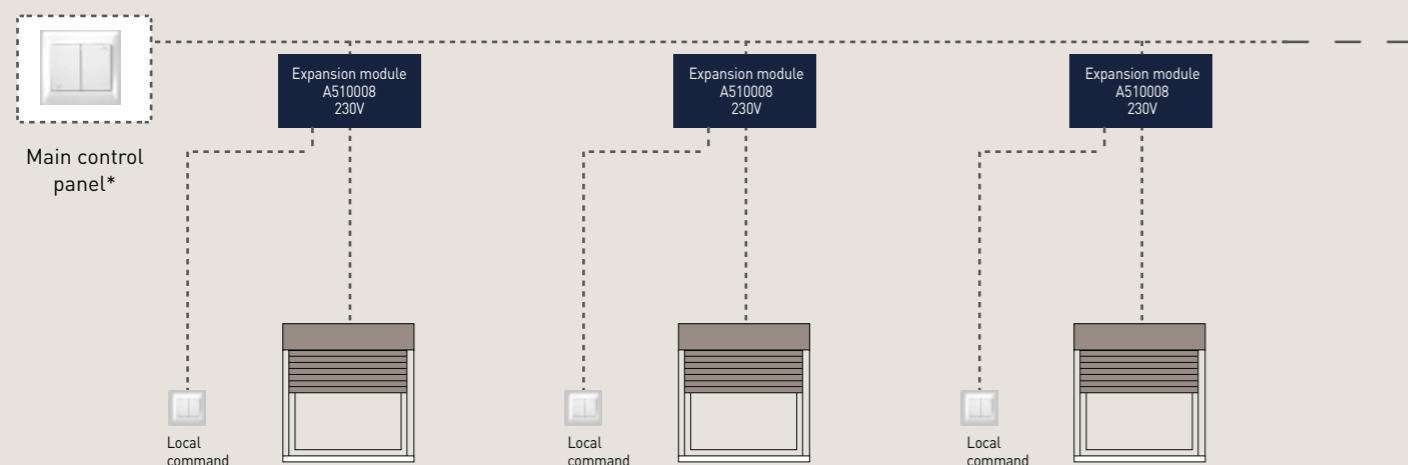
Expansion module



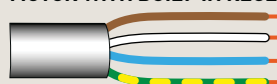
A510008

It gives the possibility of grouping several motors together and activating them individually or together.

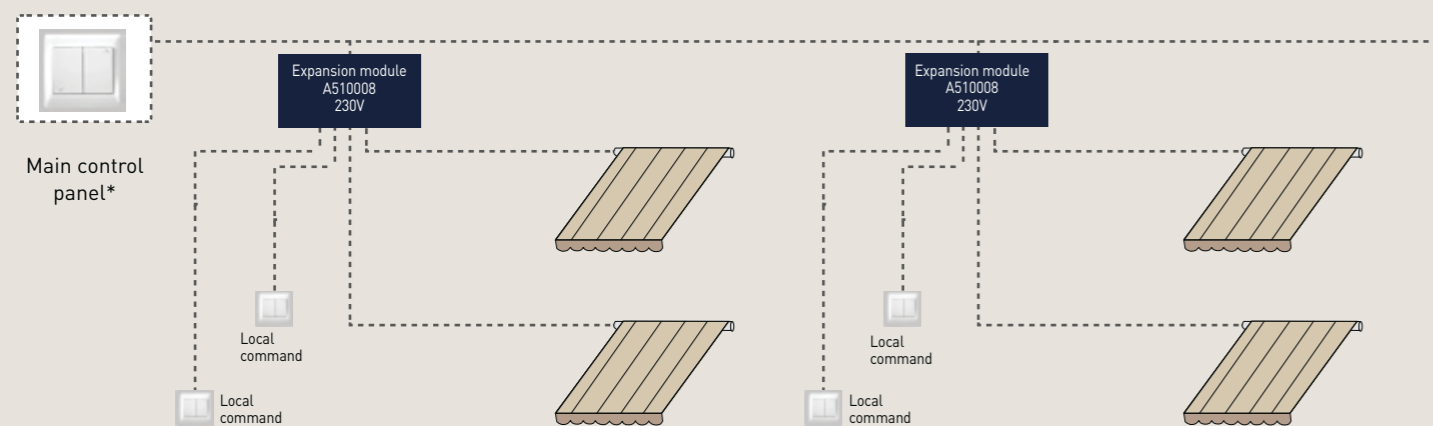
EXAMPLE OF CENTRALISATION WITH CHERUBINI RADIO (RX) MOTORS



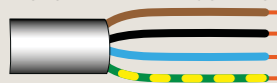
MOTOR WITH BUILT-IN RECEIVER



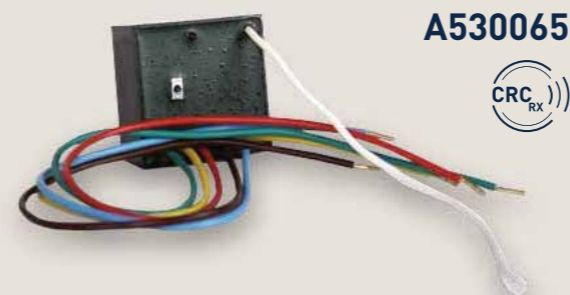
EXAMPLE OF CENTRALISATION WITH MECHANICAL LIMIT SWITCH MOTORS



MOTOR WITH WIRE CONTROL



Domotic transmitter



A530065

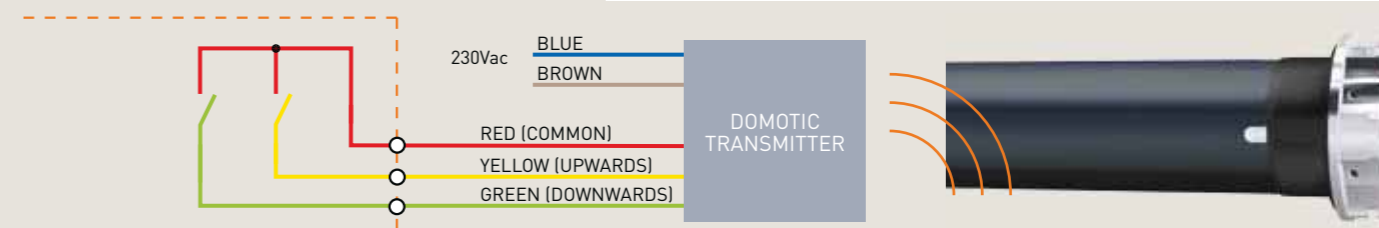
- This interface allows to adapt the Cherubini radio systems to the home automation control unit.
- Compatible with all Cherubini radio systems: motors equipped with the white wire (Tronic RX, Wave RX, Senso RX, Clima Plus RX, P&P Short RX, etc...) and radio receivers (TDS Gold, TDS Compact, OPTime, Compact Roll, Mini, Tandem, MyRoll).

CHARACTERISTICS

Power supply	230 V ac
Power	1,5 W
Transmission frequency	433,92 MHz
Decoder system	Rolling code
Modulation	AM/ASK
Operating range in open spaces	150 m
Operating temperature	-10 °C +55 °C
Dimension (without cables)	40x40x20 mm
Weight	80 g

WIRING DIAGRAM

- DOMOTIC CONTROL UNIT
- UP/DOWN SELECTOR



MOTOR WITH BUILT-IN RECEIVER

Domotic isolator



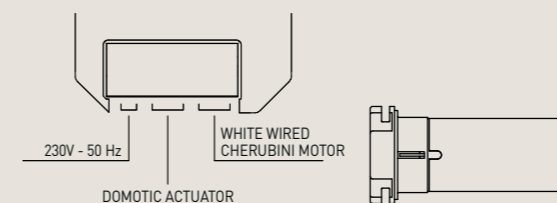
A510052

This interface device allows to connect Cherubini motors equipped with the white wire (Tronic RX, Wave RX, Senso RX, Clima Plus RX, P&P Short RX, etc.) to any domotic actuators from third-party manufacturers.

- Ensures proper insulation in white wire connection.
- Ensures interlocking also in case of actuator failure.
- Powered contact actuators can also be connected.

CHARACTERISTICS

Power supply	230 V ac - 50/60 Hz
Max. motor power	500 W
Operating temperature	-10 °C +55 °C
Dimensions	48,5x48,5x22 mm
Weight	38 g
Protection degree	IP20



Giro

Giro series remote controls



The perfect balance between form and function

- Rotary switch enables a more natural control than the usual buttons.
- Long battery life.
- Dedicated programming buttons are protected in the battery compartment.
- High-brightness white channel indicator and icon display to turn light automation on/off.
- Two dedicated button switches make light automation and channel setting easier.
- Automatic close of the programming function.

Lux function

This remote control function allows you to enable or disable the solar function in motors and receivers that are compatible with WindTec Lux climate controls.

Colours:



Warm Gray
RAL
7044

Blue
RAL
5003



Giro



VERSIONS

Code	Model	Colour
A530067L	GIRO	Warm Gray
A530071L	GIRO	Blue
A530069L	GIRO PLUS	Warm Gray
A530073L	GIRO PLUS	Blue
A530068L	GIRO LUX	Warm Gray
A530072L	GIRO LUX	Blue
A530070L	GIRO P-LUX	Warm Gray
A530074L	GIRO P-LUX	Blue

CHARACTERISTICS

Power batteries (included)	2 x LR03 (AAA)
Transmission frequency	433,92 MHz
Decoder system	Rolling code
Operating range in open spaces	150 m
Operating temperature	-10 °C +50 °C
Dimensions (mm)	160 x Ø30
Weight (with batteries)	100 g

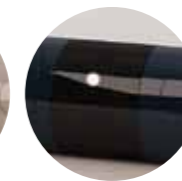
GIRO

- One-channel remote control, for one receiver or one group of receivers.
- Frontal high-brightness white LED indicator lamp.
- Dedicated programming switches and rear LED indicator lamp.

GIRO PLUS

- Multi-channel remote control with 7 individual channels and one global channel.
- Allow the display to show only the channels in use.
- Dedicated forward/back channel switching buttons.
- Frontal high-brightness white numerical display.
- Dedicated programming switches and rear LED indicator lamp.

GIRO



GIRO PLUS



GIRO LUX

- One-channel remote control with activation/deactivation of the Lux function.
- Dedicated button switches to turn light automation on/off.
- Frontal high-brightness white LED indicator lamp with icons.
- Dedicated programming switches and rear LED indicator lamp.

GIRO P-LUX

- The Lux function allows you to enable or disable the solar function individually or globally in channel 0.
- Multi-channel remote control with 7 individual channels and one global channel.
 - Allow the display to show only the channels in use.
 - Frontal high-brightness white LED indicator lamp with numerical display and icons.
 - Dedicated programming switches and rear LED indicator lamp.

GIRO LUX



GIRO P-LUX



Pop

Pop series remote controls



Handy, essential and customizable in six colours.

- Coloured closing caps with removable matching cord.
- Wall support with countersunk-head screw.
- Easy-to-read white LED display.
- Long-lasting and easy-to-replace AAA batteries included.



Programming

- Hide unused channels function available.
- Automatic close of the programming function.



Colours:
casing closing cap/cord



Customization Kit

Made of 5 different colours closing caps and matching cords, the kit allows the end-user to customize and mark the different remote controls of the house.



Pop



VERSIONS

Code	Model	Colour
A530126	POP	Grey
A530127	POP	Orange
A530138	POP PLUS	Grey
A530139	POP PLUS	Orange
A530132	POP LUX	Grey
A530133	POP LUX	Orange
A530144	POP P-LUX	Grey
A530145	POP P-LUX	Orange

CHARACTERISTICS

Power supply	2,4V - 3V dc
Type of battery	2 x LR03 (AAA)
Transmission frequency	433,92 MHz
Modulation	AM/ASK
Decoder system	Rolling code
Operating range in open spaces	100 - 150 m
Operating temperature	-10 °C +50 °C
Dimensions (mm)	132 x 32 x 16
Weight (with batteries)	63 g

Kit Code	Colours
A4508_0L60	Closing caps and cords Orange, Grey, Dark Grey, Yellow, Light Blue

Display case code	
A540012	Case containing two non-transmitting remote controls, wall bracket, caps and interchangeable lanyards.

POP

One-channel remote control for one receiver or one group of receivers.



POP PLUS

Multi-channel remote control with 7 individual channels and one global channel. Hide unused channels function available.



POP LUX

One-channel remote control for one receiver or one group of receivers.

The Lux control allows you to enable or disable the solar function in motors and receivers compatible with the WindTec Lux climate controls.



POP P-LUX

Multi-channel remote control with 7 individual channels and one global channel.

Option to only visualise used channels on display. The Lux control allows you to enable or disable the solar function in motors and receivers compatible with the WindTec Lux climate controls, individually or on the global channel.



Giro Wall

Giro series remote controls



Wall-mounted remote control

- One-channel remote control for one receiver or one group of receivers.
- Shallow and square design that can be inset into the wall.
- It includes a completely removable wall bracket.
- The brackets can be adjusted to correspond with square mounting boxes to cover over any gaps in brickwork.
- Automatic close of the programming function.

Colours:



White
RAL
9016



Anthracite
RAL
7016



VERSIONS

Code	Model	Colour
A530090L	GIRO WALL	White
A530091L	GIRO WALL	Anthracite

CHARACTERISTICS

Power supply	2,4V - 3V dc
Type of battery	1 x CR2430
Transmission frequency	433,92 MHz
Modulation	AM/ASK
Decoder system	Rolling Code
Operating range in open spaces	150 m
Operating temperature	-10 °C +50 °C
Dimensions (mm)	78 x 78 x 10
Weight	95 g

Remote Controls



CHARACTERISTICS

Power supply	Battery 1 x CR2450
Decoder system	Rolling Code
Radio frequency	433,92 MHz
Operating range in open spaces	100 m
Dimensions (mm)	40 x 40 x 10
Weight	20 g

CHARACTERISTICS

Power supply	Battery 1 x CR2450
Decoder system	Rolling Code
Radio frequency	433,92 MHz
Operating range in open spaces	100 m
Dimensions (mm)	40 x 40 x 10
Weight	20 g

VERSIONS

Code	Model	Colour
A530054	SKIPPER POCKET	White
A530058	SKIPPER POCKET 4C	White

CHARACTERISTICS

Power supply	12V dc
Type of battery	23A/L1028
Transmission frequency	433,92 MHz
Modulation	AM/ASK
Decoder system	Rolling Code
Operating range in open spaces	150 - 250 m
Operating temperature	-10 °C +55 °C
Dimensions (mm)	81 x 46 x 16
Weight	40 g

TOUCH-1L REMOTE CONTROL

- One-channel remote control compatible with all devices bearing the CRC RX mark. Allows one motor or several motors to be controlled simultaneously.
- Can be wall mounted.

A530099



TOUCH-LOCK4 REMOTE CONTROL

- Four channel pocket remote control for all Cherubini RX motors and receivers.
- Can be carried on a key ring or in your pocket.

A530100



SKIPPER POCKET REMOTE CONTROLS

- Small remote control that can be carried on a key ring or in your pocket.
- Design and functionality allow intuitive control of the motor.

A530054 SKIPPER POCKET

One-channel remote control

A530058 SKIPPER POCKET 4C

Remote control with 4 independent channels and step-by-step operation mode



Skipper LCD

SKIPPER series remote controls

Ergonomic design
Easy to use
Simple and intuitive programming



Visualization graphic display LCD RGB 1,8"
Control device type Joystick type



Multifunction 50-channel remote control with a 1,8" colour LCD display. Symbols together with the colour LCD display make handling of the remote control very intuitive for the user, with all available information clearly displayed. It supports the control of up to 50 devices and the creation of 10 scenarios and 16 groups.

Groups and automations

Using Skipper LCD remote control you can create groups and automations at home. You can group by room, floor, facade, office, ...giving each group a name of your choice and making simple to apply a centralised action to all of them at once.

Scenarios

One of the remote control's key features is the creation of scenarios. These allow you to create an appropriate environment, to reflect the circumstances, at the touch of a button (for example: (1)'Night', blinds close, awnings retract (2)'Summer', blinds open, awnings are set automatically, ...)

Programmable timer

To complete the functions above you have the possibility to action all of them automatically, at a predetermined time or at different times throughout the day, to simulate someone being at home. The user always has the choice to activate these actions manually or automatically.

Solar function

For installations which use the WindTec Lux (sun-wind) automated system, there's also the option to selectively activate or deactivate the solar function by individual devices, groups or scenarios.

The AAA batteries used give the transmitter a long battery life and are easy to obtain and replace.

VERSIONS

Code	Model*	Function
A530035L	SKIPPER LCD	White
A530041L	SKIPPER LCD	Black

* wall bracket supplied

CHARACTERISTICS

Power supply	2,4V - 3V dc
Type of battery	2 x LR03 (AAA)
Transmission frequency	433,92 MHz
Modulation	AM/ASK
Decoder system	Rolling code
Operating range in open spaces	100 - 150 m
Operating temperature	-10 °C +50 °C
Dimensions (mm)	140 x 45 x 25
Weight (with batteries)	100 g

Skipper LCD



Examples of functions

Groups

A group is a group of actuators. Groups are used to globalise functions in the quickest, most comfortable manner, so that you can program in a faster, more intuitive way. Actuators can be grouped in any way you wish: by type of actuator (rolling shutters, awnings, screens, etc), by floor (1st floor, 2nd floor, etc), by rooms (dining room, lounge, bedrooms), etc.

You can create up to 16 groups.



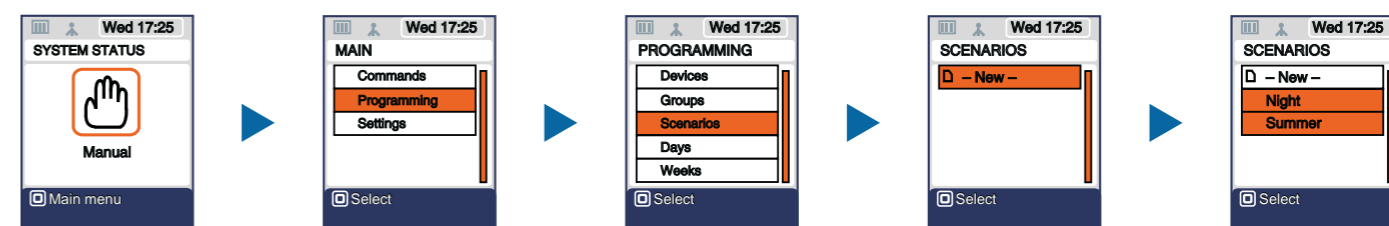
Examples of groups



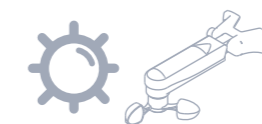
Scenarios

A scenario is a function that allows you to control several actuators or groups that you have defined. This function allows you to determine the functions that each actuator or group will carry out when you activate the scene. With the Skipper LCD transmitter, you can create up to 10 different scenes.

Examples of scenes



Night-time scene
Lower the "Rolling shutters" group
Retract the "Awnings" group
Close the "Screen" group



Summer-time scene
Driving upwards "Rolling-shutter" group
"Awnings" group in automatic operation
"Screens" group to its ideal intermediate position

Skipper Senso

Skipper series remote controls

Ergonomic design
Easy to use
Simple and intuitive programming



Visualization graphic display
LCD RGB 1,8"
Control device type Joystick type



Remote control with integrated brightness and temperature sensor for indoor.

LCD colour screen 1,8".

Skipper Senso enables the desired light and temperature levels to be maintained inside the room. Shutters and screens will automatically adjust when the set thresholds have been reached.

During the summer months the Skipper Senso adjusts the opening and closing of rolling shutters and screens to provide protection from the sun's rays, whilst in winter it uses solar radiation to integrate the heating of the environment.

Easy to use: When desired light and temperature levels have been set by the user the remote control unit is placed in the appropriate location in the wall mounting bracket supplied.

The intuitive graphical interface ensures the Senso's ease of use.

VERSIONS

Code	Model*	Function
A530063L	SKIPPER SENSO	White

* wall bracket supplied

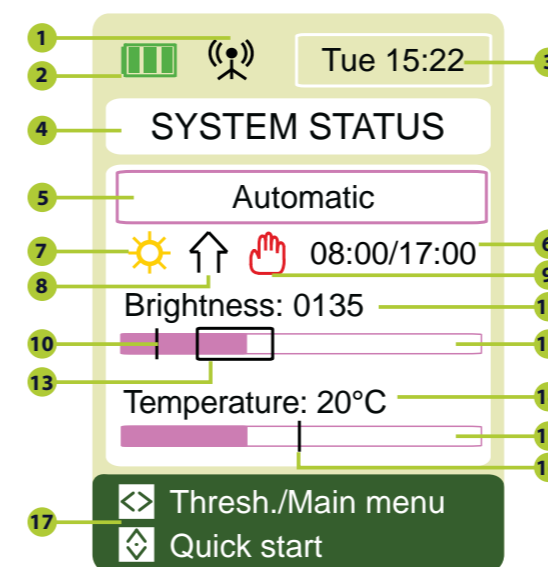
CHARACTERISTICS

Power supply	2,4V - 3V dc
Type of battery	2 x LR03 (AAA)
Transmission frequency	433,92 MHz
Modulation	AM/ASK
Decoder system	Rolling code
Operating range in open spaces	100 - 150 m
Operating temperature	-10 °C +50 °C
Dimensions (mm)	140 x 45 x 25
Weight (with batteries)	100 g

Skipper Senso
just the light you want.



Symbols legend



1. Command transmission indicator
2. Remote control battery level
3. System time
4. Screen name
5. Active operational mode
6. Automation operational timetable (if enabled)
7. Season option active: Summer/Winter
8. Last command sent
9. Temporarily disable automatic operation
10. Twilight threshold
11. Brightness value in real time
12. Brightness bar
13. Brightness hysteresis frame
14. Temperature value in real time
15. Temperature bar
16. Temperature intervention threshold
17. Navigation menu

Ability to control the climate



Built-in radio receiver (only WindTec and WindTec Lux)
No wiring between the motor and the control unit.

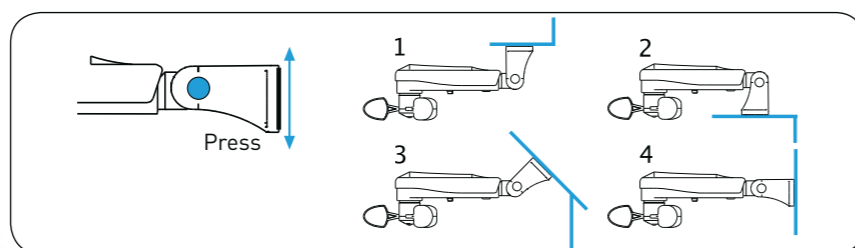
Wind - & Sun sensor (only WindTec Lux)
The awning works automatically and is protected from the wind.

Compatible with all series
The line of climatic control systems is compatible with all our series of motors (see Compatibility Table on page 122).

Reliability and safety
The high-performance "Rolling Code" decoder system works with a limited bandwidth and therefore avoids interference.

Practical
Adjustable bracket that can be mounted on a surface at any angle.

FASTENING METHODS



VERSIONS

Code	Model	Function
A520007	WINDTEC	Wind sensor
A520008	WINDTEC LUX	Wind and sun sensor
A520010	WINDTEC SC	Wind sensor

Code	Model	Contents
A540006	Kit Vento RX	WINDTEC SC/TDS GOLD/SKIPPER
A540007	Kit Vento	WINDTEC SC/TDS SILVER

CHARACTERISTICS

	WINDTEC LUX	WINDTEC SC	WINDTEC SC
Power supply (V/Hz)	230/50	230/50	-
Radio frequency (MHz)	433,92	433,92	-
Wind sensor setting (km/h)	7,5-45	7,5-45	-
Sun sensor setting (klux)	2,5-100	-	-
Dimensions (mm)	300x140x95		
Protection degree	IP34	IP34	IP34
Weight (g)	365	365	300
Operating temperature	-25° C +40°C		

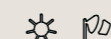
A520007

- Wind sensor
- Wireless connection between the motor and the radio receiver.
- Threshold adjustment directly on the device.
- Compatible with Wave RX, Senso RX, Ocean RX, Ora ZRX, Rebis ZRX motors and TDS Gold (A510020), TDS Compact (A510038) and Mini (A510036) radio receivers.



A520008

- Wind & Sun sensor.
- Wireless connection between the motor and the radio receiver.
- Threshold adjustment directly on the device.
- Compatible with Wave RX, Senso RX, Ocean RX, Ora ZRX, Rebis ZRX motors and TDS Gold (A510020), TDS Compact (A510038) and Mini (A510036) radio receivers.

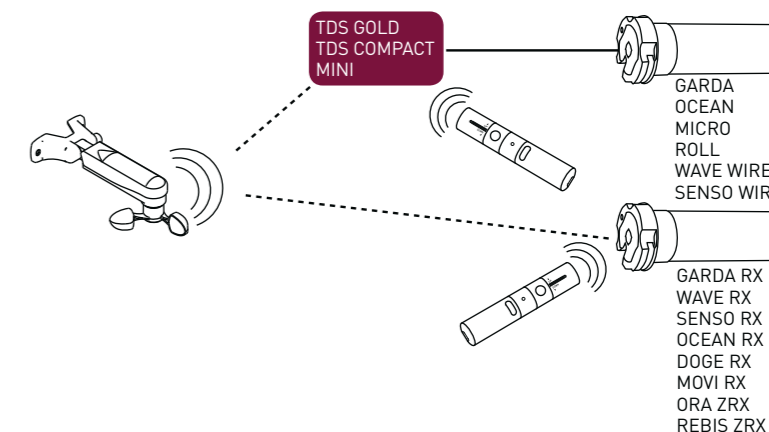


A520010

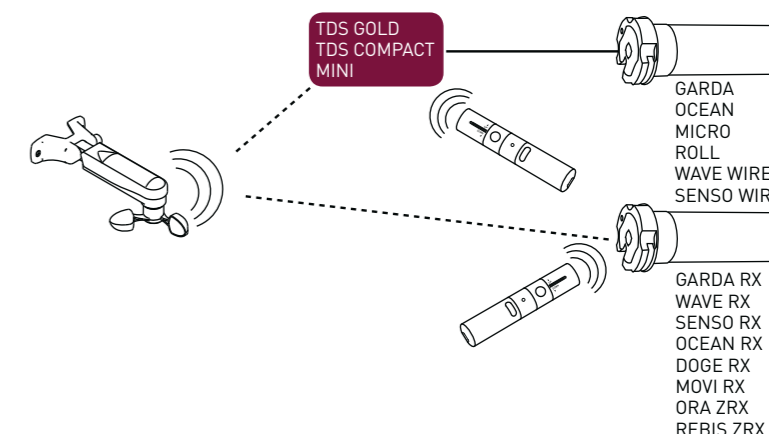
- Wind sensor
- Direct connections through 2 wires.
- Adjustment of the wind alarm threshold from the remote control.
- Compatible with TDS Gold radio receiver (A510020) and TDS Silver control unit (A510021).



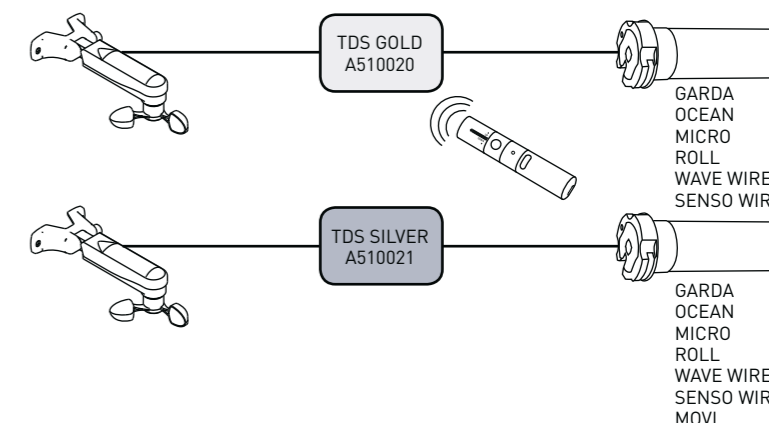
WINDTEC ANEMOMETER



WINDTEC LUX ANEMOMETER



WINDTEC SC ANEMOMETER



Mistral

Vibration wind sensor



A520012

MISTRAL

The vibration wind sensor protects the awning by detecting its movement caused by the wind.

Compatible with the Wave RX, Senso RX, Wave Loch RX, Movi RX, Garda RX, Ocean RX, Ora ZRX, Rebis ZRX motor series and with external radio receivers for awnings.

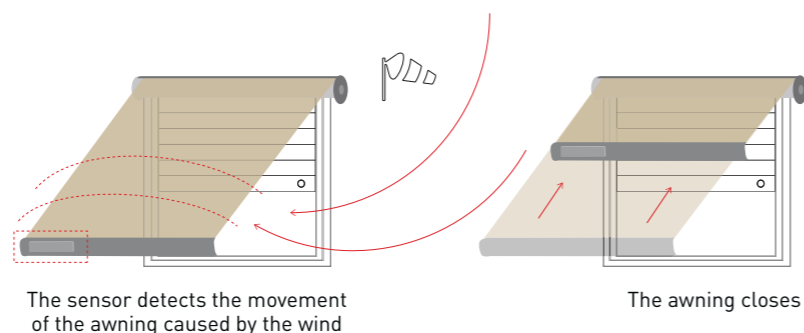
Wireless: no wiring between the motor and the sensor.

To be installed on the awning's terminal load bar.

Small size 140x38x26 mm



OPERATIONAL DIAGRAM



VERSIONS

Code	Model	Function
A520012	MISTRAL	Wind sensor

CHARACTERISTICS

Power supply	2,4 V-3V DC
Type of battery	2xLR03 (AAA)
Transmission frequency	433,92 MHz
Modulation	AM/ASK
Decoder system	Rolling Code
Irradiated RF power (ERP)	2 mW
Operating temperature	-10 °C +50 °C
Dimensions (mm)	140 x 38 x 26 mm
Weight (g)	100
Protection degree	IP44

Rain-Sensor



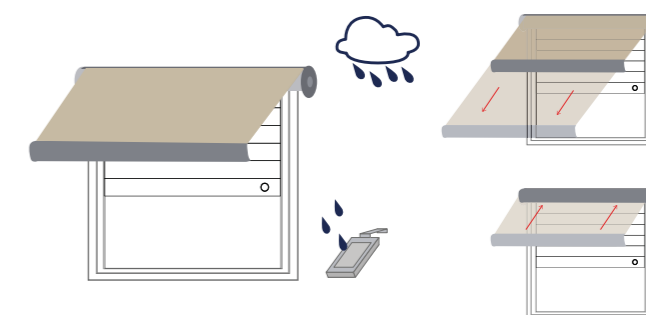
A520016

RUGIADA TX radio rain-sensor

Rain-sensor wireless set on Cherubini Domotic transmitter. The rain alarm can be set according to the individual needs, on a UP or DOWN command of the awning. Easy setting by the remote control.



OPERATIONAL DIAGRAM



In case of rain, the sensor sends a signal, and according to the default setting, a UP or DOWN command is carried out.

CHARACTERISTICS

Power supply	230 V ac
Power	2 W
Transmission frequency	433,92 MHz
Decoder system	Rolling code
Modulation	AM/ASK
Radio operating range	10-15 m

Control unit

Operating temperature	-10°C +55°C
Weight	300 g

Sensor element

Operating temperature	-10°C +90°C
Dimension (without cables)	120 x 60 x 20 mm
Weight	200 g

Plastic housing

Protection degree	IP44
Dimension (without cables)	80 x 80 x 40 mm

Radio receivers for awnings



A510038

TDS COMPACT radio receiver

The new generation radio receiver that gives added performance to wired motors with mechanical or electronic limit switches.

- Obstacle recognition during closing.
- Obstacle detection on both directions, sensitivity setting on 3 levels possible.
- "Super-sensitivity" function on obstacle detection (downwards), set by remote control, setting on 3 levels possible, especially for screens and mosquito blinds.
- First intermediate position programmable from the remote control.
- Second intermediate position programmable from the remote control and controlled by the WindTec Lux light sensor.
- With cassette awnings, it is possible to set the limit switch at the stop.

Optional connections:

- Possibility to connect a switch type unstable.
- Compatible with the WindTec and WindTec Lux climatic controls and with the vibration wind sensor Mistral and with rain-sensor Rugiada.

CHARACTERISTICS

Power supply	230 V / 50 Hz
Max. motor power	600 W
Storage capacity	15 remote controls
Radio frequency	433,92 MHz
Operating temperature	-10 °C +70 °C
Dimensions	120x35x20 mm
Protection degree	IP55



A510021

TDS SILVER control unit

- Control unit for awnings.
- Compatible with WindTec SC climatic sensor.
- Possibility of connecting an up/down button.

CHARACTERISTICS

Power supply	230 V / 50 Hz
Max. motor power	500 W
Dimensions	120x80x50 mm
Protection degree	IP55
Operating temperature	-10 °C +55 °C



Radio receivers for awnings



A510020

TDS GOLD radio receiver

- Compatible with the WindTec, WindTec Lux and WindTec SC, climatic controls, with the vibration wind sensor Mistral and rain-sensor Rugiada.
- Possibility of connecting an up/down button.
- High-safety coding system "Rolling Code".

CHARACTERISTICS

Power supply	230 V / 50 Hz
Max. motor power	500 W
Storage capacity	15 remote controls
Radio frequency	433,92 MHz
Operating temperature	-10 °C +55 °C
Dimensions	120x80x50 mm
Protection degree	IP55



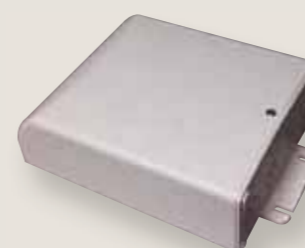
A510030

TANDEM radio receiver

- Control of two motors for rolling shutters or awnings installed on the same wind-up roller.
- Inputs for up/down buttons.
- Input for anemometer WindTec and WindTec Lux.
- Input for wired anemometer WindTec SC.
- Compatible with Cherubini radio control climate sensors.

CHARACTERISTICS

Power supply	230 V / 50 Hz
Max. motor power	2x600 W
Storage capacity	7 remote controls
Radio frequency	433,92 MHz
Operating temperature	-10 °C +55 °C
Dimensions	115x135x50 mm
Protection degree	IP54



Radio receivers for awnings and rolling shutters



A510036



MINI radio receiver for awnings and rolling shutters

The smallest radio receiver in the Cherubini line (40x40x20 mm). It can be inserted in a built-in socket.

- Input up/down button.
- Compatible with the WindTec and WindTec Lux climatic controls and with the vibration wind sensor Mistral and with rain-sensor Rugiada.

CHARACTERISTICS

Power supply	230 V / 50 Hz
Max. motor power	300 W
Storage capacity	15 remote controls
Radio frequency	433,92 MHz
Operating temperature	-10 °C +55 °C
Dimensions	40x40x20 mm
Protection degree	IP44

A510062



MYROLL radio receiver for rolling shutters

- 3 level adjustable time-out time.
- Possibility of connecting an up/down button.
- It can be inserted in a built-in socket.
- High-safety coding system "Rolling Code".

CHARACTERISTICS

Power supply	230 V / 50 Hz
Radio frequency	433,92 MHz
Decoder system	Rolling Code
Modulation	AM/ASK
Storage capacity	15
Max. motor power	500 W
Operating temperature	-10 °C +55 °C
Dimensions	48,5x48,5x22 mm
Weight	30 g

Radio receivers for rolling shutters



A510039 - A510040
A510037

OPTIME AND COMPACT ROLL radio receivers

OPTime and Compact Roll: the new generation radio receivers that give added performance to wired motors with mechanical or electronic limit switches.

- Obstacle recognition either upwards or downwards.
- Obstacle detection on both directions, sensitivity setting on 3 levels possible.
- "Super-sensitivity" function on obstacle detection (downwards), set by remote control, setting on 3 levels possible.
- Two intermediate positions that are programmable and usable from the remote control.
- With security devices it is possible to set the limit switch at the stop.

Optional connections:

Possibility to connect a switch type unstable.

The OPTime radio receiver is also available for motors with Easy-connector.



A510039 OPTIME



A510040 OPTIME EASY



A510037 COMPACT ROLL

CHARACTERISTICS

OPTime A510039 - A510040

Power supply	230 V / 50 Hz
Max. motor power	300 W
Storage capacity	15 remote controls
Radio frequency	433,92 MHz
Operating temperature	-10 °C +70 °C
Dimensions	114x35x20 mm
Protection degree	IP44

Compact Roll A510037

Power supply	230 V / 50 Hz
Max. motor power	600 W
Storage capacity	15 remote controls
Radio frequency	433,92 MHz
Operating temperature	-10 °C +70 °C
Dimensions	120x35x20 mm
Protection degree	IP55

Oriens CRC

Radio receiver
for venetian blind

A510034 - A510035



A510034



A510035

ORIENS CRC radio receiver

- Easy adjustment of slat inclination.
- EU and US mode controls and the innovative CHERUBINI mode that enables the slats to be adjusted and to quickly and intuitively raise and lower the blinds.
- Possibility of memorising an intermediate position and a Privacy position.
- Easy programming and operation: the motor confirms all the steps by means of small rotations.

Versatile

- Fits to all Venetian blind motors with mechanical or electronic limit switch.
- Fits to all tilters with or without the third position system.

Compatibility:

- Compatible with the Cherubini remote controls.
- Compatible with WindTec climatic controls.

Optional connections:

- Input for double switch or for "up/down" control switch.

A510034

Power supply cable with Hirschmann STAS 3 connector.
Motor cable with Hirschmann STAK 3 connector.

A510035

Standard 4 wire cable for power supply and motor.

CHARACTERISTICS

Power supply	110 / 230 V ac
Max. motor power	600 W
Storage capacity	15 remote controls
Radio frequency	433,92 MHz
Operating temperature	-10 °C +70 °C
Dimensions	120x35x20 mm
Protection degree	IP55



Timers

A510074



A510027



A510029

A510027 and A510029 clocks can be used only with 70x70x50 mm recesses

A510703



TIMER RADIO

- Multi-channel timer remote control
- 6 channels with timer function.
- Possibility of programming a daily opening and closing command for each channel.
- Centralised control for the 6 channels.
- ASTRO function.
- 4 ways of using the timer.
- Magnetic attachment to the base for easy use.

CHARACTERISTICS

Power supply	Battery CR2450
Operating temperature	0 °C +50 °C
Transmission frequency	433,92 MHz

TIMER ROLL

- Timer with automatic, manual and holiday operational modes.
- Day/Time programming.
- Memorised positions: 2 (up/down).
- Graphic icon display.

TIMER ROLL PLUS ASTRO with season function compatible with sensor.*

- Timer with automatic, automatic-seasonal, manual and holiday operational modes.
- Week/Time programming with connection to sensor.
- Memorised positions: 7 up, 7 down 2 sensor values.
- May be connected to light sensors.
- Graphic icon display.

VERSIONS

Code	Description
A510027	Programmable timer
A510029	Timer with season function compatible with sensor*
A520013	Light sensor, cable 2 m
A520014	Light sensor, cable 5 m

* the sensor must be ordered separately

CHARACTERISTICS

Power supply	230V/50Hz
Operating temperature	-5 °C +45 °C
Operating time	2,5 min

ROLLMAT PLUS G/S

- Timer for manual or automatic control of motorized rolling shutters with housing into the belt winder hole.
- Daily program.
- Weekly program.
- Holiday program / random presence simulation.
- Automatic change of season, summer / winter.
- ASTRO function.
- Power supply 230V/50Hz.

COMPATIBLE SENSORS

Code	Description
A520700	Light sensor Rollmat/Rolltec, cable 1 m
A520701	Light sensor Rollmat/Rolltec, cable 2 m

Electrical accessories



A510019



“COMFORT” signal repeater



- It repeats the remote control signal.
- Ideal for critical environmental conditions.
- Direct power supply from a Schuko socket.

A510009



Multiple control relay

- It gives the possibility of activating the motor from one or more buttons in the “step-by-step” mode.

A530066



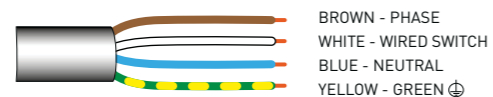
Universal programming cable

- Convenient and simple system for assembly and adjustment of the motors with mechanical or electronic limit switches.

standard cabling



cabling for electronic limit switches



ACCESSORIES

adapters

MOTORS SERIES Ø35
MOTORS SERIES Ø45
MOTORS SERIES Ø58

p. 154
p. 156
p. 158

brackets

MOTORS SERIES Ø35
MOTORS SERIES Ø45
For all motors with universal head without shoulders
MOTORS SERIES Ø45
For all motors with universal head with shoulders and previous head
MOTORS SERIES Ø45 with override device
MOTORS SERIES Ø58

p. 159
p. 160
p. 162
p. 164
p. 166

other accessories

ACCESSORIES FOR MANUAL OPERATION
ACCESSORIES FOR VENETIAN BLINDS
SAFETY STOPS

p. 167
p. 168
p. 169

Adapters for motors Ø35

Octagonal	<p>Octagonal 40</p> <p>A3505_0501 Adapters Octagonal 40 (External tube notch)</p>	<p>Octagonal 40</p> <p>A3505_0502 Adapters Octagonal 40 (Internal tube notch)</p>
	<p>Round 40</p> <p>A3505_0503 Adapters Round 40 th. 2 mm</p>	<p>Round 40</p> <p>A3505_0506 Adapters 40 mm round th.1 mm</p>
Round	<p>Round 40</p> <p>A3505_0510 Adapters 40 mm round th.1.5 mm with tooth</p>	<p>Round 40</p> <p>A3505_0511 Adapters Round 40 th. 1.5 mm</p>
	<p>Round 44</p> <p>A3505_0515 Adapters Round Filtersun 44</p>	<p>Round 47</p> <p>A3505_0516 Adapters Round Hunter Douglas 47</p>
	<p>Round 50 - 55</p> <p>A3505_0517 Adapters Round Hunter Ø50 grooved - Round Ø55 Zanzar System</p>	

Adapters for motors Ø35

Others	<p>ZF 45</p> <p>A3505_0504 Adapters ZF 45</p>	<p>Delfin 44 / Acmeda 44</p> <p>A3505_0507 Adapters Delfin 44 and Acmeda 44</p>
	<p>Oval 42X46</p> <p>A3505_0508 Adapters Oval 42x46</p>	<p>Benthin 52</p> <p>A3505_0509 Adapters Benthin 52</p>
	<p>Mottura 49</p> <p>A3505_0513 Adapters round Mottura Ø49</p>	<p>A3505_0505 Ring adapter 35 mm - 45 mm. Allows to use all adapters of series 45. N.B. All adapters of the series 45 fit on the output!</p> <p>A3505_0512 ZIP Adapter</p>

Adapters for motors Ø45

Adapters for motors Ø45

Ogives	<p>Ogive 63</p> <p>A4505_0525 Adapters RollerBat 63</p>	<p>Ogive 70</p> <p>A4505_0518 Adapters Oval 70 Selt</p>	<p>Ogive 70</p> <p>A4505_0519 Adapters tube 70 reduced Ogive</p>	
	<p>Ogive 70</p> <p>A4505_0520 Adapters Oval 70 Selt and RollerBat 70</p>	<p>Ogive 78</p> <p>A4505_0521 Adapters Ogive 78 + Flat Ogive 78</p>		
	<p>Ogive 80</p> <p>A4505_0523 Adapters RollerBat 80</p>	<p>Ogive 85</p> <p>A4505_0513 Adapters Ogive 85</p>		
Round	<p>Round 50</p> <p>A4505_0514 Adapters round tube 50 Thoni</p>	<p>Round 52-58-70</p> <p>A4505_0528 Adapters Delfin 52-58-70</p>		
	<p>Round 50</p> <p>A4505_0505 Adapters Round 50</p>	<p>Tondo 60</p> <p>A4505_0506 Adapters Round 60</p>	<p>Round 70</p> <p>A4505_0515 Adapters Round 70</p>	

Octagonal	<p>Octagonal 52</p> <p>A4505_0511 Adapters Octagonal 52</p>	<p>Octagonal 60</p> <p>A4505_0510 Adapters Octagonal 60 th. 1 mm</p>	<p>Star-shaped 60</p> <p>A4505_0512 Adapters Star-shaped 60</p>	
	<p>Octagonal 70</p> <p>A4505_0502 Adapters Octagonal 70</p>	<p>Octagonal 60</p> <p>A4505_0531 Adapters Octagonal 60 th. 0,6 mm</p>	<p>Octagonal 60 up to 20 Nm</p> <p>A4505_0532 Adapters Octagonal 60 th. 0,6 mm, reduced thickness</p>	
Deprat	<p>Deprat 53</p> <p>A4505_0508 Adapters Deprat 53</p>	<p>Deprat 62/Welser 63</p> <p>A4505_0507 Adapters Deprat 62/Welser 63</p>	<p>Deprat 89</p> <p>A4505_0516 Adapters Deprat 89</p>	
	ZF	<p>ZF 54</p> <p>A4505_0508 Adapters ZF 54</p>	<p>ZF 64</p> <p>A4505_0509 Adapters ZF 64</p>	<p>ZF 80</p> <p>A4505_0517 Adapters ZF 80</p>
Others		<p>Acmeda 60</p> <p>A4505_0522 Adapters Acmeda 60</p>	<p>Dalex 63 + 80 / Eurothema 60 / Gibus D58 / RollerBat 56 / Soprofen 53 + 54</p> <p>A4505_0524 Drive pulley suitable for multiple profiles</p>	

Adapters for motors Ø58

Brackets for motors Ø35

Ogives

<p>A5805_0502 Adapters Ogive 78</p>	<p>A5805_0513 Adapters Flat Ogive 78</p>	<p>A5805_0503 Adapters Ogive 85</p>	<p>A5805_0516 Adapters Ogive 100 Stobag</p>
--	---	--	--

Round

<p>A5805_0509 Adapters Round 63</p>	<p>A5805_0508 Adapters Round 70</p>	<p>A5805_0514 Adapters Round 72 Gibus LS60 (Øe 72)</p>
<p>A5805_0511 Adapters Round 75 Matest</p>	<p>A5805_0510 Adapters Round 98</p>	<p>A5805_0507 Adapters Round 102</p>

Octagonal

<p>A5805_0501 Adapters Octagonal 70</p>	<p>A5805_0506 Adapters Octagonal Welsler tube 102</p>	<p>A5805_0512 Adapters Octagonal Heroal 125</p>
--	--	--

Others

<p>A5805_0504 Adapters ZF 80</p>	<p>A5805_0515 Adapters RollerBat 80</p>	<p>A5805_0505 Adapters Deprat 89</p>
---	--	---



all motor torques

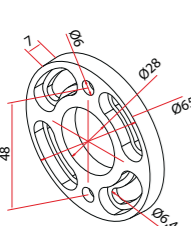
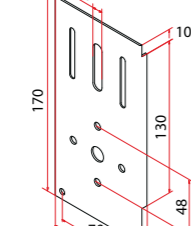
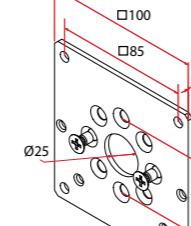
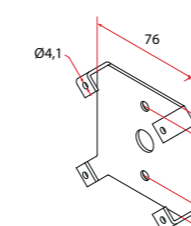
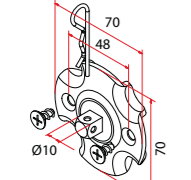
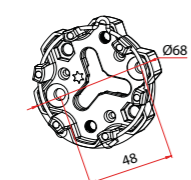
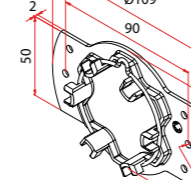
<p>A3506_0551 10 mm square pin with omega bar, through holes</p>	<p>A3506_0552 10 mm square pin with omega bar, M6 holes</p>	<p>A4506_0621 Omega bar for 10 mm square, with M6 holes</p>	<p>A3506_0557 RTPFL support plate</p>
<p>A3506_0555 Flanged 10 mm square pin</p>	<p>A3506_0553 Fixing plate for side covers</p>	<p>A3506_0558 Plate with hole cross 12.5x5</p>	<p>A3506_0564 Plate with hole cross 10.3x4.5</p>
<p>A3506_0556 Plate with hole cross 13x2.5</p>	<p>A3506_0560 Flange with bolt square 10 mm short</p>	<p>A3506_0561 Flange with bolt square 10 mm butterfly shape</p>	

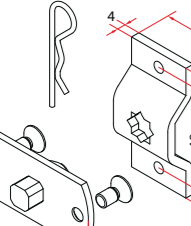
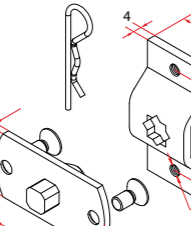
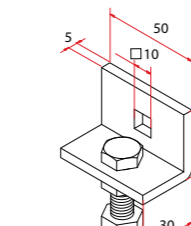
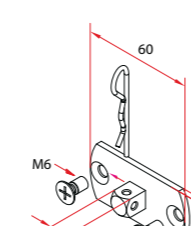
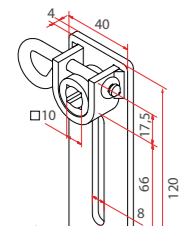
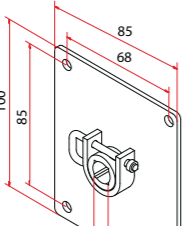
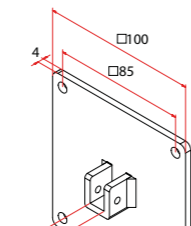
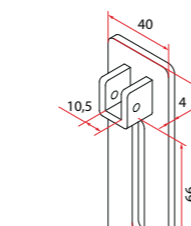
<p>A3506_0554 Motor head adapter 35 mm - 45 mm Allows use of Series 45 brackets for motors with universal head with shoulders (see pages 162-163)</p>
--

Brackets for motors Ø45

For all motors with universal head without shoulders

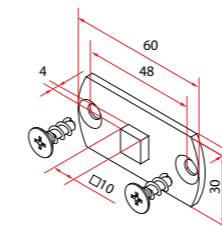
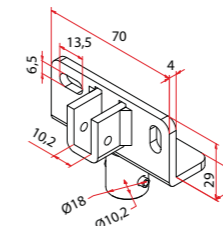
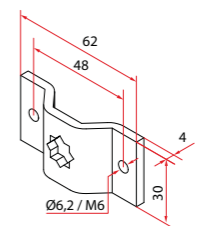
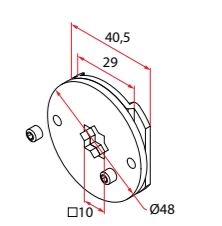


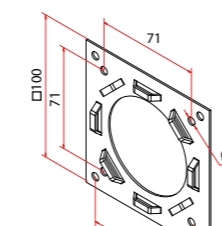
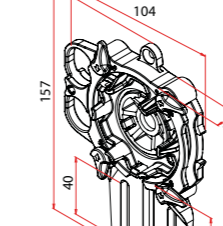
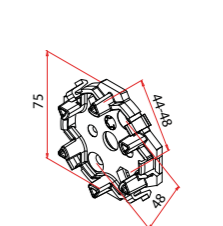
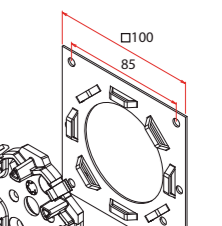
all motor torques			
 <p>9014 Flange</p>	 <p>A4506_0559 "Vercelli" support plate</p>	 <p>A4506_0568 (zama heads only) Plate 100x100</p>	 <p>A4506_0588 Bracket "Bloc-Baie"</p>
 <p>A4506_0616 (only for plastic head) Square pin 10 mm</p>	 <p>A4506_0638 Zama bracket with spring</p>	 <p>A4506_0642 Steel support with spring</p>	

up to 32 Nm			
 <p>A4506_0556 (head in zama) A4506_0566 (head in plastic) Flanged 10 mm square pin with omega bar, through holes</p>	 <p>A4506_0557 (head in zama) A4506_0567 (head in plastic) Flanged 10 mm square pin with omega bar, M6 holes</p>	 <p>A4506_0558 Adjustable bracket with 10 mm square hole</p>	 <p>A4506_0580 (head in zama) A4506_0569 (head in plastic) 10 mm square pin with M6 screw</p>
 <p>A4506_0562 Adjustable bracket with 10 mm square hole, with release</p>	 <p>A4506_0561 Bracket with 10 mm square hole, with release</p>	 <p>A4506_0572 Bracket with 10 mm square hole, without release</p>	 <p>A4506_0573 Adjustable bracket with 10 mm square hole, without release</p>

Brackets for motors Ø45

For all motors with universal head without shoulders

up to 32 Nm			
 <p>A4506_0597 Mosquito screen 10 short flanged square pin bracket</p>	 <p>A4506_0600 Bracket with saddle square 10 mm</p>	 <p>A4506_0520 Ø6.2 holes A4506_0621 M6 holes Omega bar for 10 mm square</p>	 <p>A4506_0623 Star-shaped 10 mm square pin coupling removable head</p>

up to 20 Nm			
 <p>A4506_0595 SLO support plate</p>	 <p>A4506_0641 Support 3 slots with release</p>	 <p>A4506_0644 Snap-on bracket</p>	 <p>A4506_0653 Support kit 100x100 ZF Croci-Veka</p>



A4506_0656
Profine system sidewall support

FIXING KIT



Plate Bracket in plastic

SYSTEM

OPTime

Fastening without screws:
Compatible on all kind of side caps. Possibility of adjustment on all positions.



Code	Description	Code	Description
A4506_0645	OPTime fastening kit 130	A4506_0649	OPTime fastening kit 165
A4506_0646	OPTime fastening kit 137	A4506_0650	OPTime fastening kit 170
A4506_0647	OPTime fastening kit 140	A4506_0651	OPTime fastening kit 180
A4506_0648	OPTime fastening kit 150	A4506_0652	OPTime fastening kit 205

UNIVERSAL HEAD



All Ø45 motors in this catalogue are equipped with a universal head

FORMER HEAD



Brackets for motors Ø45

- For motors:
 - with universal head (with shoulders*)
 - with former heads (without shoulders)

Brackets for motors Ø45

- For motors:
 - with universal head (with shoulders*)
 - with former heads (without shoulders)

all motor torques

<p>A4506_0555 Universal bracket with fast coupling Shoulders kit included</p>	<p>A4506_0570 Adjustable snap-on bracket Shoulders kit included</p>	<p>A4506_0587 Snap-on bracket with holder "Demi linteau" Shoulders kit included</p>	<p>A4506_0612 Fast coupling bracket - "Wings" Shoulders kit included</p>
<p>A4506_0614 Fast coupling bracket on plate 100x100 Shoulders kit included</p>	<p>A4506_0615 Fast coupling bracket on plate 80x80 Shoulders kit included</p>	<p>A4506_0617 Universal bracket with wiring Shoulders kit included</p>	<p>A4506_0618 Inoutic side bracket Shoulders kit included</p>

up to 32 Nm

<p>A4506_0586 Bracket for Coffrelite end cap Shoulders kit included</p>	<p>A4506_0589 Snap-on bracket ZF Shoulders kit included</p>	<p>A4506_0591 Steel plate & snap-on bracket Shoulders kit included</p>	<p>A4506_0596 Fast coupling bracket in metal Shoulders kit included</p>
<p>A4506_0622 Fast coupling plate 130x60 with 3 slots Shoulders kit included</p>	<p>A4506_0640 Bracket 134x60 Shoulders kit included</p>		

up to 25 Nm

<p>A4506_0574 Snap-on bracket "Click OPTime" Shoulders kit included</p>	<p>A4506_0581 Bracket 100x100 ZF - Croci - Veka Shoulders kit included</p>	<p>A4506_0592 Plastival slide (short version) Shoulders kit included</p>	<p>A4506_0593 Plastival slide (long version) Shoulders kit included</p>
--	---	---	--

up to 15 Nm

<p>A4506_0627 Anti-vibration bracket with quick coupling Shoulders kit included</p>
--

***Shoulders kit**



* To use the supports with universal head motors, the Shoulder Kit must be applied. The Shoulder Kit is supplied with each support.

Brackets for motors with override Ø45

Ocean
Ocean RX
Plug&Play Ocean Easy
Plug&Play Exeo Easy



all motor torques			
<p>9014 Flange</p>	<p>A4506_0559 "Vercelli" support plate</p>	<p>A4506_0568 Plate 100x100</p>	<p>A4506_0571 Adjustable bracket for Ocean</p>
<p>A4506_0584 Fastening sliding ring</p>	<p>A4506_0624 Plate 100x100 holes 12,5°</p>		

up to 32 Nm			
<p>A4506_0556 Flanged 10 mm square pin with omega bar, through holes</p>	<p>A4506_0557 Flanged 10 mm square pin with omega bar, M6 holes</p>	<p>A4506_0558 Adjustable bracket with 10 mm square hole</p>	<p>A4506_0561 Bracket with 10 mm square hole, with release</p>
<p>A4506_0562 Adjustable bracket with 10 mm square hole, with release</p>	<p>A4506_0572 Bracket with 10 mm square hole, without release</p>	<p>A4506_0573 Adjustable bracket with 10 mm square hole, without release</p>	<p>A4506_0580 10 mm square pin with M6 screw</p>

Brackets for motors with override Ø45

Ocean
Ocean RX
Plug&Play Ocean Easy
Plug&Play Exeo Easy

up to 32 Nm	up to 20 Nm
<p>A4506_0632 Fast plate 100x100</p>	<p>A4506_0628 Fixing for 165 mm sides</p>



Brackets for motors Plug&Play Safe Easy Ø45

all motor torques		
<p>A4506_0643 Omega plate Tradi ZF system</p>	<p>A4506_0654 Fast coupling bracket on plate 100x100</p>	<p>A4506_0655 Plate, centre distance 81</p>

This adapter can be used for all motors with manual override up to 20 Nm

<p>A4506_0657 Ocean head adapter for snap-on mounting</p>
--

STANDARD HEAD

UNIVERSAL HEAD



Brackets for motors Ø58

Accessories

For manually operating motors of the series OCEAN, OCEAN RX, PLUG&PLAY OCEAN EASY, PLUG&PLAY SAFE EASY and PLUG&PLAY EXEO EASY

<p>A4506_0554 Fast coupling bracket with spring split pins</p>	<p>A4506_0568 Plate 100x100</p>	<p>A5806_0555 Square pin 16 mm</p>	<p>A5806_0551 Square pin 16 mm with omega bar</p>
---	--	---	--

ONLY FOR MOTORS Ø58 WITH UNIVERSAL HEAD (ZRX)

<p>A5806_0558 Adjustable bracket with 16 mm square hole (up to 85 Nm)</p>	<p>A5806_0562 Square pin 16 mm starred</p>	<p>A5806_0561 Square pin 16 mm starred with omega bracket</p>	<p>A4506_0638 Zama bracket with spring</p>
--	---	--	---

Motor with override: OCEAN

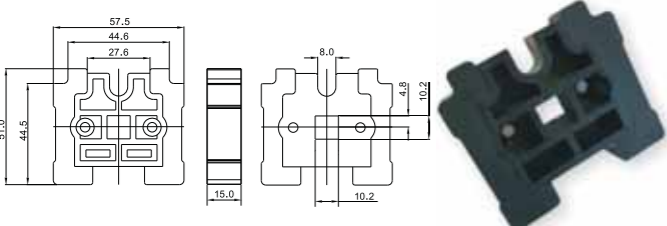
<p>A4506_0568 Plate 100x100</p>	<p>A5806_0552 Square pin 16 mm with omega bar for override</p>	<p>A5806_0558 Adjustable bracket with 16 mm square hole (up to 85 Nm)</p>
--	---	--

<p>Ref. 9100 150L CH02 Operating crank length 150 cm Only for OCEAN series motors</p>	<p>Ref. 7463 150G 2101 Foldable crank with hook length 150 cm Only for OCEAN series motors</p>	<p>Ref. 7461 150N 1606A Foldable crank with assembled tube length 150 cm</p>
<p>Ref. 7721 7040 OC16 Outlet at 60°, fast coupling with eye Only for OCEAN series motors</p>	<p>Ref. 7840 7033 OCNK (nickel plated) Ref. 7840 7043 OC16 (Ral 9016) Outlet at 90°, fast coupling with eye Only for OCEAN series motors</p>	<p>Ref. 7705 7030 OCNK Outlet 55°, plate in nickel plated Zama, with eye Only for OCEAN series motors</p>
<p>Ref. 8026 70 Magnetic outlet with plate</p>	<p>Ref. 14987016 Ref. 8056M12 Ref. 8056V13 Magnetic outlets without plate</p>	<p>Ref. 6015 Ref. 6015 7007 Hexagonal pole 7 w/71 mm protrusion+screw Ref. 6015 7018 Hexagonal pole 7 w/185 mm protrusion+screw</p>
<p>Ref. 7840 7038 CA16 + 7844 12CA16 Outlet at 90° magnetic + magnetic gear reduction</p>	<p>Ref. 6010 7008 CH16 Eye with hexagon 7 - lg. 86 mm Ref. 6010 7012 CH16 Eye with hexagon 7 - lg. 126 mm Ref. 6010 7018 CH16 Eye with hexagon 7 - lg. 186 mm Only for OCEAN series motors</p>	<p>Ref. 7810 Plate 85x40x2 mm Hole cover plate designed for manual override on cassette</p>

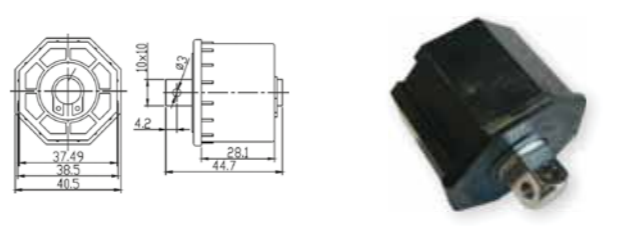
Accessories

Safety stops

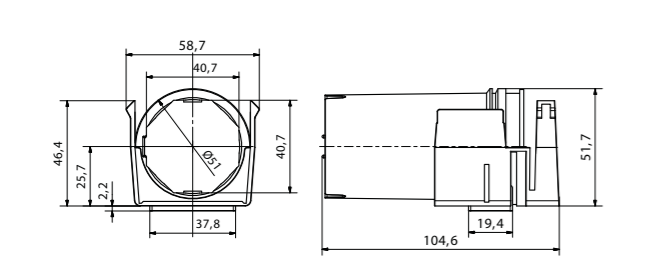
Control system for indoor venetian blinds, compatible with various models of Ø 35 tubular motor.
 The cone raising mechanism included in the kit allows thin strings to be used to adjust the light, improving the visibility and aesthetics of the venetian blind.
 The system can be installed in 57 mm x 51 mm rails and is suitable for venetian blinds with 15 mm to 50 mm wide aluminium or wooden slats.




A3516_5177
Support in plastic material for head-rail 58x56 with square hole 10,2 mm

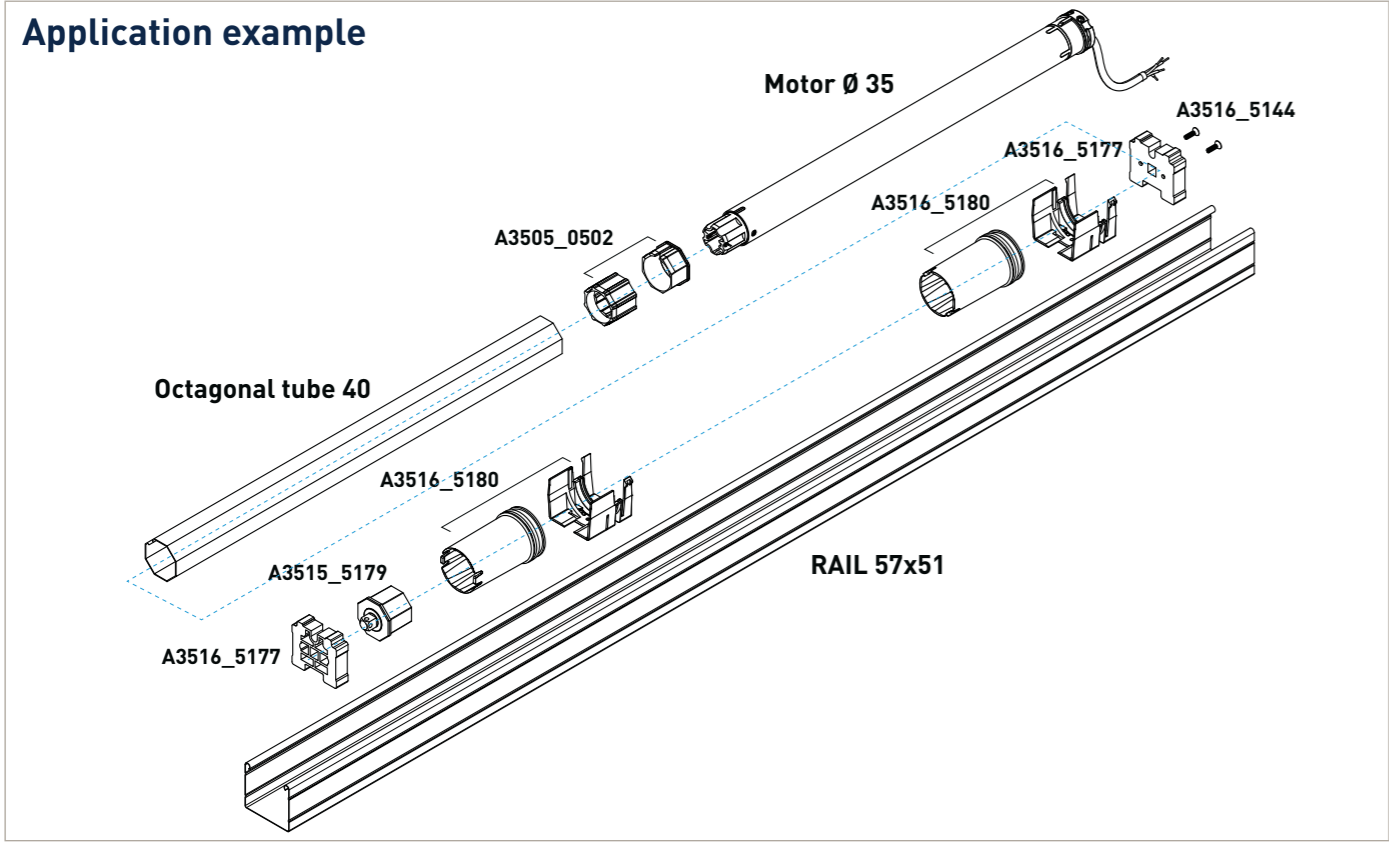


A3515_5179
Cap for octagonal tube 40



A3516_5180
Tilter with bracket







A4516_5746
Safety stop
2 Meshes



A4516_5747
Safety stop
3 Meshes



A4516_5748
Safety stop ring
Octagonal 60




A4516_5749
Safety stop ring
Octagonal 70




A4516_5B68
Glass-fibre reinforced safety stop and metal plate
2 Meshes - 60 mm centre-to-centre distance



A4516_5H86
Glass-fibre reinforced safety stop and metal plate
3 Meshes - 60 mm centre-to-centre distance



721502
Safety clip stop for ZF54 ZF64 JD53 2 Meshes



721509
Extension for safety clip stop - change from 2 to 3 Meshes

Code	Description
721500	Clip-on safety stop tool
721503	Safety clip stop for ZF54 ZF64 JD53 1 Mesh
721505	Safety clip stop for Octagon 60-interaxis 1=60 2 Meshes
721508	Safety clip stop for Octagon 60-interaxis 1=60 1 Mesh

General sales terms

- 1) **Orders** - All orders will only be accepted according to the following conditions.
We will confirm your order in writing by our Order Confirmation. It is the customer's responsibility to check the order confirmation. Any differences in specification or terms shown on the order confirmation must be notified to Cherubini within 5 days of the date of the order confirmation, otherwise the customer has to accept the goods as shown on the order confirmation.
- 2) **Prices** - Our price list shows only indicative prices. If any extraordinary or unexpected circumstances change the conditions stated at the moment of the contract the company has the right to change prices with a prior notice. Any price negotiations, conducted by agents or sub-agents, require the authorisation of Cherubini before these prices can become operable.
- 3) **Delivery** - Goods are shipped at the buyer's risk, even if these parts are being shipped for a free delivery shipment.
- 4) **Payments** - Cherubini retains the ownership of the goods until all payments have been made for them. The payment of the amount of the invoice must be paid within the terms and conditions indicated on the invoice. Failure to make payments in accordance with these terms and conditions may incur the imposition of a 3% penalty interest rate higher than the official discount rate of the moment.
- 5) **Deliveries** - Deliveries will be made in accordance with our normal trading terms and conditions. However, should any unforeseen circumstance arise which precludes a delivery being made, the customer will have no rights to seek compensation of any kind from Cherubini.
- 6) **Claims** - The goods will be considered completely accepted by the customers after 8 days from their receiving. All claims must be in writing and sent to Cherubini by registered letter within eight days of the customer receiving the goods. In case of goods subject to a manufacturing defect, such goods will be replaced ex works as quickly as possible.
No claims will be allowed for direct or consequential loss arising from damage caused by the operation of our products. All replacement of product will be authorised and carried out only by Cherubini. Any delay in payment by the buyer will nullify all sales agreements.
- 7) **Controversy** - All disputes arising from any matter resulting from the supply of product to a customer will only be settled by the Law Court of Brescia, Italy.

Warranty

CHERUBINI GUARANTEES ITS MOTORS AND RELATED ACCESSORIES TO BE FREE FROM DEFECTS IN MATERIAL AND WORKMANSHIP UNDER NORMAL AND PROPER USE, AT THE FOLLOWING CONDITIONS:

PERIOD

Cherubini warrants its tubular motors for a period of five (5) years.
The electrical and electronic accessories (including the control systems) have a two (2) year warranty. All warranties start from the date of manufacturing.

WARRANTY APPLICATION

Cherubini has an obligation under the terms of this warranty to repair or replace any parts found to be defective as quickly as possible. Cherubini shall retain any parts replaced under warranty. The buyer is responsible for all freight costs associated with the repair, or replacement of the parts, without any obligation of assistance on the spot by Cherubini.

WARRANTY LIMITATIONS

The following will render the warranty null and void:

- If the product has been opened or dismantled, or there are clear signs the product has been subject to abuse or other damage.
- If the buyer has selected a product which is not in accordance with our written product specifications.
- If the buyer or his agent has not followed the written installation and wiring instructions issued by Cherubini.
- If our products are used in a manner for which they were not designed or they are used with accessories which have not previously been approved in writing by the Technical Department of Cherubini.
- If any of the electrical accessories or controls have not been wired or installed in the manner depicted in our installation instructions.

PRODUCT USE LIMITATIONS

Cherubini has designed the range of products for use in operating awnings, shutters or screens for sun protection, provided they are not in continuous use. These products must be installed according to IEC Standards or any other rule in force at the moment of their installation or planning.



The products and details shown in this catalogue are for information only, and may be changed at any time, without notice.

Cherubini S.p.A.

Via Adige, 55 - 25081 Bedizzole (BS) - Italy
Tel. +39 030 6872 039
info@cherubini.it
www.cherubini.it

Cherubini Iberia S.L.

Avda. Unión Europea 11-H - Apdo. 283
P. I. El Castillo - 03630 Sax - Alicante - Spain
Tel. +34 966 967 504 - Sat +34 966 969 024
info@cherubini.es
www.cherubini.es

Cherubini France SAS

ZI Du Mas Barbet
165 Impasse Ampère - 30600 Vauvert - France
Tél. +33 (0) 466 77 88 58
info@cherubini.fr
www.cherubini.fr

Cherubini Deutschland GmbH

Rotter Viehtrift 4 a - 53842 Troisdorf - Germany
Tel. +49 (0) 2241 2669974
Fax +49 (0) 2241 2669973
info@cherubini-group.de
www.cherubini-group.de

Cherubini Türkiye

Ritim Istanbul - D-100 Güney Yanyolu
Cevizli Mahallesi, Zuhul Caddesi
34846 Maltepe - Istanbul /Turkey
Tel/Fax +90 (0) 216 515 6287
info@cherubini.com.tr
www.cherubini.com.tr

Sales Switzerland:

Andrea Grisolia
Mobil +41 (0) 79 431 81 71
andrea.grisolia@cherubini.it

